



# Manual Pro Series

## Manual Pull-Down Projection Screen

### USER'S GUIDE

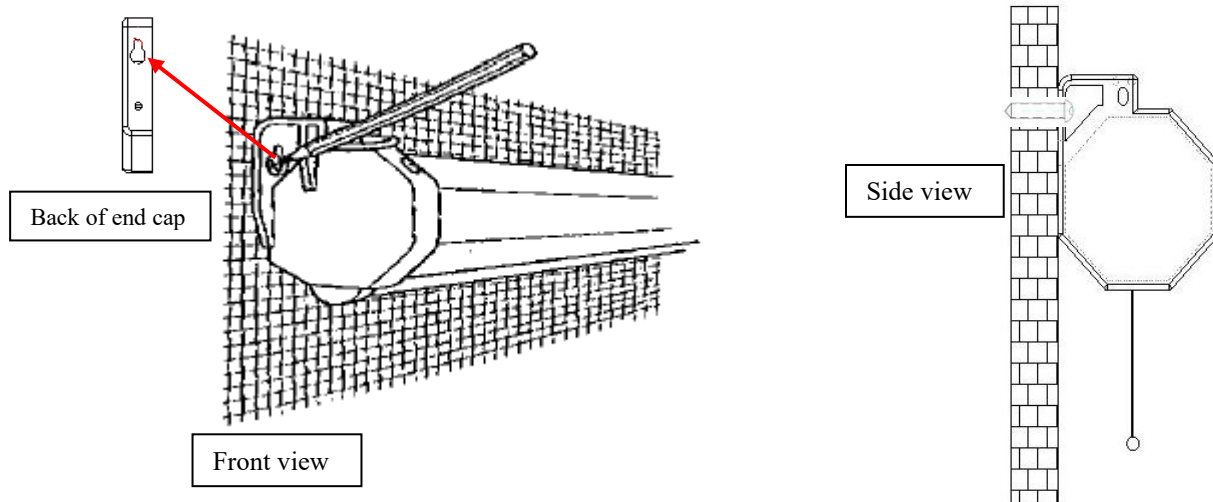
#### Pre-Installation

1. Carefully unpack the screen.
2. Always handle the screen in a leveled position on a clean surface.

#### Installation Instructions

##### Flush Wall Mounting

1. Measure the distance between the keyholes located on the back of the end cap.
2. Mark the location of where the screen is to be installed for the pre-drilled hole.
3. After marking the area and drilling the hole, insert the proper screw into the drilled hole and leave about 1/8" of an inch from the wall to mount the screen.
4. Mount your screen from the keyhole located on back of screen's left and right end cap.



#### **Please read this notice carefully before installation**

Wall screws included with this product are complimentary and may not be adequate for all mounting surfaces.

Consult with a professional installer or hardware store for proper mounting screws and anchors.

Regardless of the mounting method, the screen should be securely supported so that the vibration or pulling on the viewing surface will not cause the screen case to become loose or fall. The installer must ensure that the proper mounting hardware and the fasteners used are of adequate strength and suitable for the mounting surface.

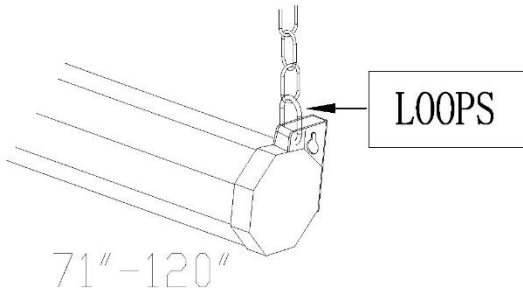
## Ceiling Suspended Mounting (additional hardware required)

Optional installation using a chain to hang the screen from the ceiling.

1. You can also hang the screen on a ceiling by using a chain and hang it by the two loops.  
(models 71" -120")



Note: Chain and U bolt/D ring not included.

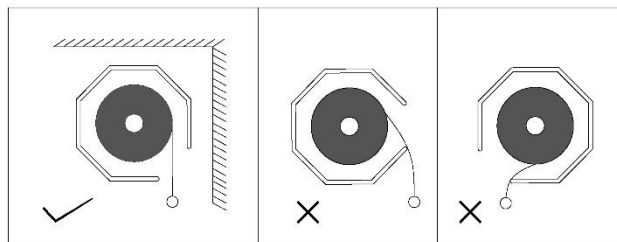


## SCREEN OPERATION

### CAUTION:

**Do not let go of the handle when retracting the screen to avoid damage from slamming up.**

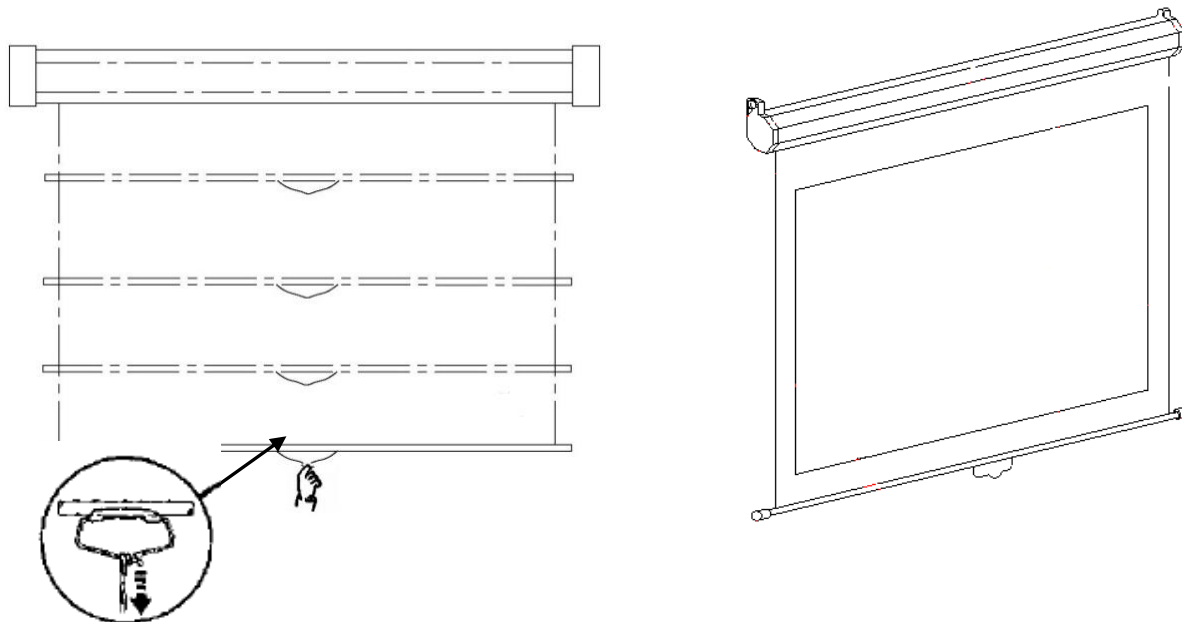
*Note: **Always** pull the screen down or let it up in a 90-degree vertical angle. Do not allow the screen to touch the screen case when the screen goes up or comes down to avoid damaging the screen material.*



1. Pull the screen down from the lanyard or from the handle only in a 90-degree angle. Do not attempt to pull the screen down by the surface or touch the screen, as it will damage the screen and void the warranty.  
*Note: An internal auto-lock mechanism system will cause the screen to stop and lock on the position at intervals.*

2. If you want the screen to retract back, simply pull the screen down more than 2 inches and retract the screen back by quickly and smoothly releasing it up gently.

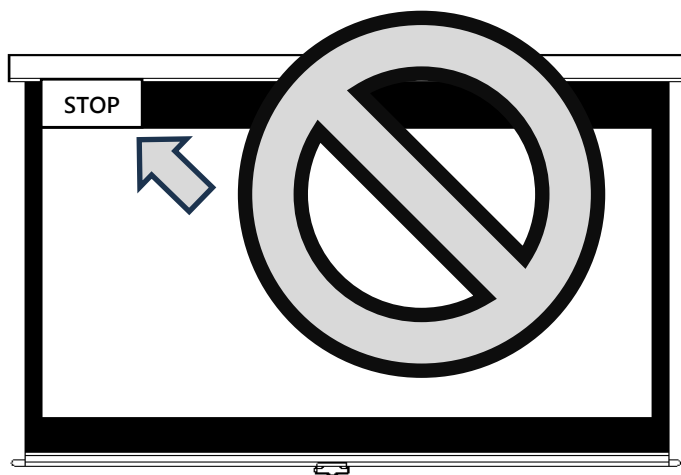
*Note: Always release at a 90-degree angle and do not let go until the screen is entirely inside the case. If ever the screen feels stuck, keep in mind that the screen's mechanism is new and needs to be run up/down a few times to loosen up. If this happens, carefully with a little force yank the screen straight down to unlock the screen.*



*Note: Improperly bringing the screen up/down will damage the screen material or rolling system.*

**RETRACTION TIP:** If you are not able to pull the screen down two inches when attempting to retract it, give the screen a quick yank downwards with a little bit of force. Please be sure to not stand directly under the housing of the unit when yanking down on the screen.

**DO NOT try to pull the screen beyond the STOP label. This may cause the screen material to come off the roller and/or disengage from the retraction mechanism which will make the screen inoperable and void warranty coverage.**



### **MAINTENANCE**

Clean matte white screen material with a soft cloth and mild soap with water. When not in use, retract screen in its housing to keep the screen material surface clean.

### **NOTE:**

Regardless of mounting method, the screen should be securely supported so that vibration or even abusive pulling on the viewing surface will not cause the case to work loose or fall. The installer must ensure that the fasteners used are of adequate strength and suitable for the mounting surface chosen.

For more information, technical support or your local Elite ProAV contact, please visit [www.eliteproav.com](http://www.eliteproav.com)

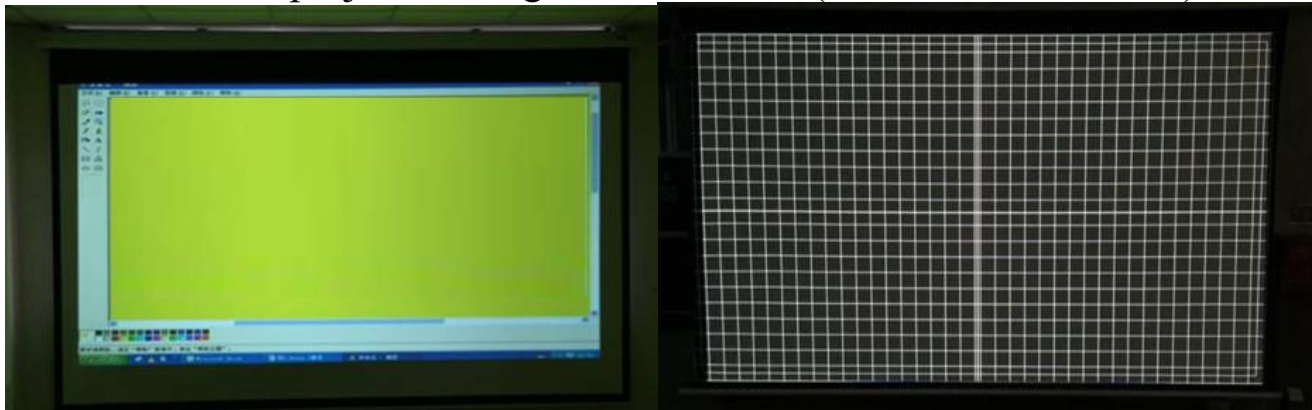
# **SHORT THROW PROJECTION DISCLAIMER**

Using a *short throw projector* on a *non-tensioned* type screen will result in image distortion as the slightest wave on the viewing surface will become more evident.

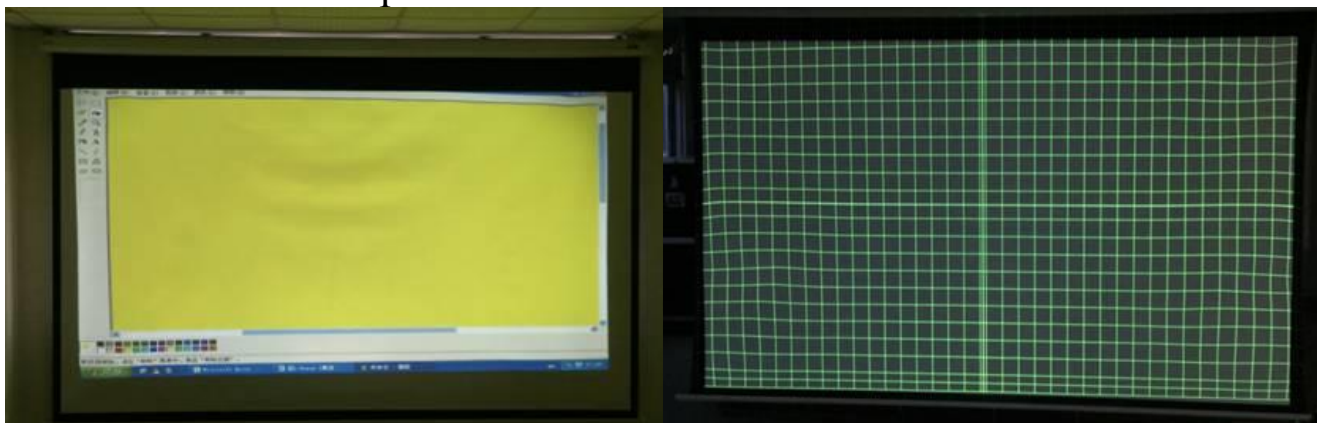
For *short throw projectors*, Elite ProAV recommends the use of a **motorized tab-tensioned, fixed frame or whiteboard** projection screen.

Examples of undoctored projection images using a **standard throw** and **short-throw** projector

*Standard throw* projected image shown below (waves are not visible)



This *short throw* projected image shown below, demonstrates how waves on the surface become more pronounced:



Actual Projection Images by two different Elite ProAV model with ***Standard Throw Projector*** (Model #:ViewSonic Pro8300) vs. ***Short Throw Projector*** (Model #:BenQW710ST)

# **SCREEN MATERIAL DISCLAIMER**

At first, the screen material may have a series of noticeable horizontal lines on its surface. These are known as memory lines. Memory lines are caused when the pliable projection material is rolled up and stored for the duration between its production and sale. This is both a normal and correctable phenomenon. For non-tensioned screens, you may also notice curling along the edges of the material. This is mainly due to environments in cold temperatures. Please try the following to alleviate the memory lines and side curls on the material. After installation, leave the screen in the down position for a few days in a warm room environment (above 75 degrees) and then commence regular (up/down) usage. This allows the material to stretch out and cure itself. After a few days, the lines should vanish and the edge curling will alleviate and will neither return nor affect the projected image during the years of its use.

# **DIRECT SUNLIGHT DISCLAIMER**

Projection Screens from any maker are not designed for use as a window curtain and should never be exposed to direct sunlight. Prolonged exposure to solar radiation will destroy synthetic materials and such damage is not covered by our standard warranty.

See examples below.

