



Manual Tab-Tension Pro Series | CineGrey 5D®

Ceiling Ambient Light Rejecting
Manual Pull-Down Projector Screen
User's Guide – M Type
V1.0

Thank you for choosing the **Manual Tab-Tension Pro Series** projection screen! This tab-tensioned manual screen is best for rooms with minimal control over room lighting. It utilizes our GREENGUARD GOLD® and ISF Certified **CineGrey 5D®** front projection ceiling ambient light rejecting material. It is precisely formulated to increase brightness, produce accurate colors, and improve contrast. The **CineGrey 5D®** is best for family rooms, educational facilities, conference rooms, house of worship or any applications in which incident light is a factor. **Compatible only with standard throw projectors.**

In order for the CineGrey 5D® to maintain its projection qualities and optimum performance please refer to the list below for proper maintenance and cleaning.

- Use a dry microfiber cloth to remove dust from the screen's surface.
- When cleaning, use a damp microfiber cloth with warm water to remove any marks.
- Never rub or apply pressure when cleaning the surface.
- Never attempt to use any solutions, chemicals, or abrasive cleaners on the screen surface.
- To avoid damaging the screen, avoid touching it directly with your fingers, pens/pencils or any other sharp or abrasive objects.

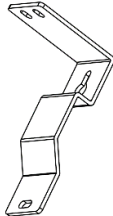



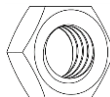

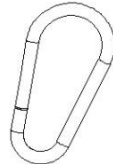
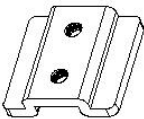
Please be sure to read the precautions and operating instructions carefully before operating the screen. Proper maintenance and handling will ensure a longer lifespan of the product.

Note: Wall screws included with this product are complimentary and may not be adequate for all mounting surfaces. Consult with a professional installer or hardware store for proper mounting screws and anchors.

Regardless of the mounting method, the screen should be securely supported so that the vibration or pulling on the viewing surface will not cause the screen case to become loose or fall. The installer must ensure that proper mounting hardware and the fasteners used are of adequate strength and suitable for the mounting surface.

Hardware Parts List

Please make sure all parts listed below are included before proceeding with the installation.

A. Wall Bracket	B. Eyebolt	C. 5x50 Wall Screws	D. Drywall anchors	E.M5 Nut	F. M5 Screws	G. Snap link	H. Bracket connector
							

Item	Part List	106" Screen	125" Screen	140" Screen
A	Wall Bracket	2	2	3
B	Eyebolt	2	2	3
C	5x50 Wall screws	4	4	6
D	Drywall anchors	4	4	6
E	M5 Nut	2	2	3
F	M5 Screws	4	4	6
G.	Snap link	2	2	3
H.	Bracket connector (installed on housing)	2	2	3

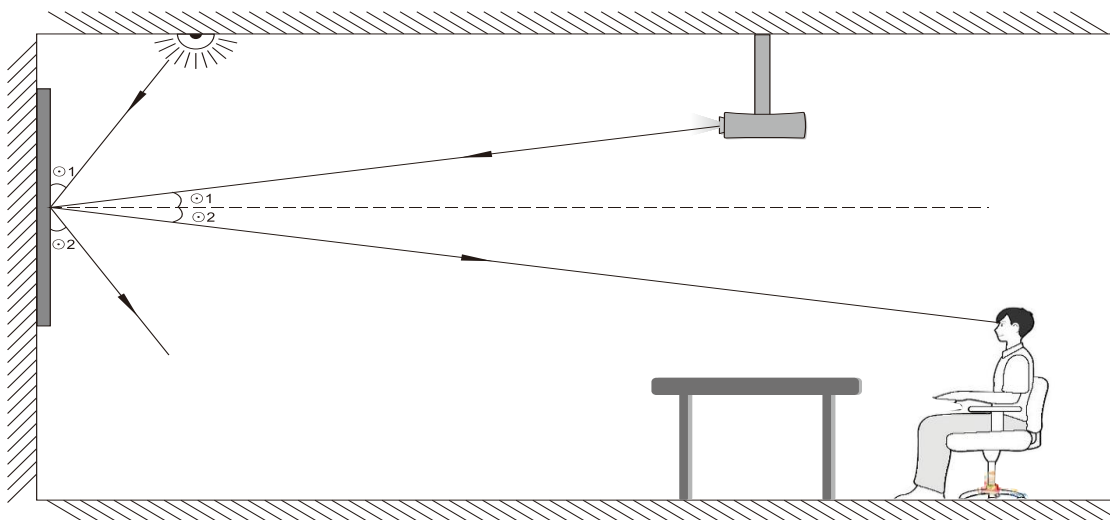
Notice to Installer

Please use the following installation instructions to obtain superior optical performance from the CineGrey 5D® Angular Reflective ALR (Ceiling Ambient Light Rejecting) Screen

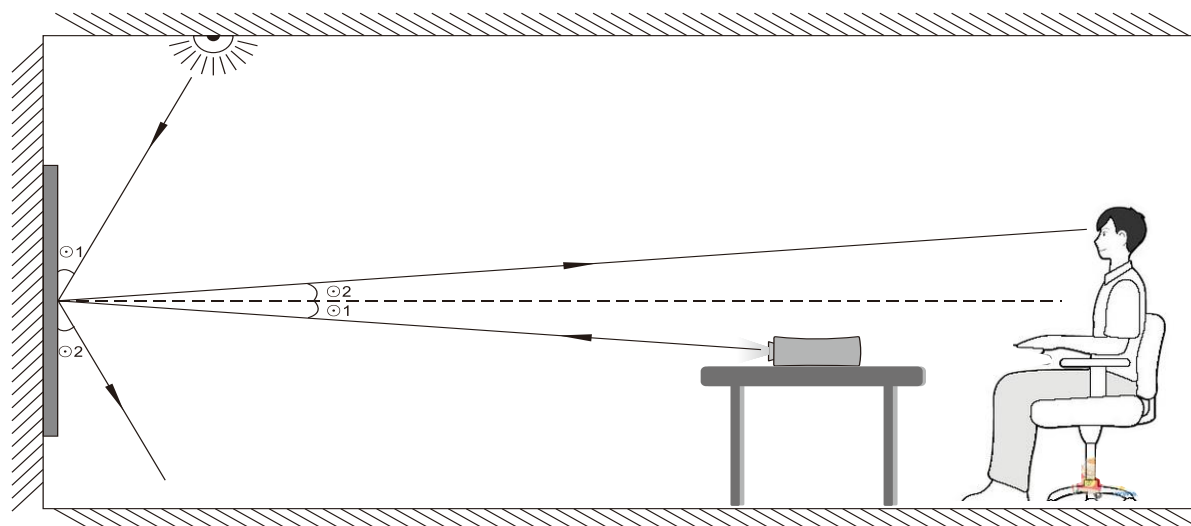
Make sure to follow these instructions for the CineGrey 5D® to perform correctly.

- A. Ambient Light must not come from the same direction as the projector's light
- B. Minimum Lens Throw Ratio of 1.5x image width
- C. Not compatible with Ultra/Short-Throw Projectors

Projector Ceiling Installation: Make sure the projector (*light in*) is angled ($\Theta 1$) to reflect ($\Theta 2$) at the mirror-opposite angle (*light out*) to align with the viewer's eye level.



Projector Tabletop: Make sure the projector (*light in*) is angled ($\Theta 1$) to reflect ($\Theta 2$) at the mirror-opposite angle (*light out*) to align with the viewer's eye level.



Images are not up to scale and are for illustrations purposes only.

Note: Improper installation will result in light loss and produce a dark image. This is due to the projector's light reflecting in the wrong direction.

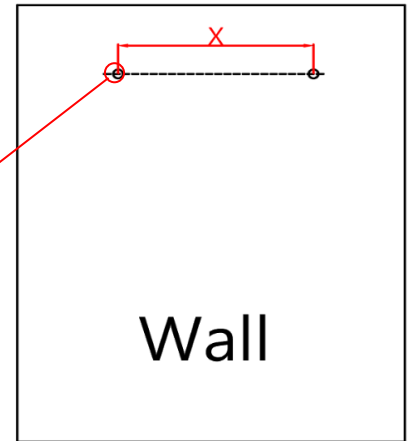
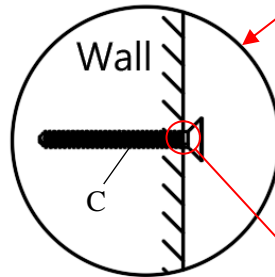
Installation Instructions

For installation assistance, please consult a professional Installer. Elite ProAV is not liable for faulty installations.

A. Wall Mount | Brackets (movable position)

Step 1: Determine where the screen will be installed. Mark the screw hole locations, drill the holes and insert the hollow wall anchors (D) [if installing on drywall] and secure with a screw (C).

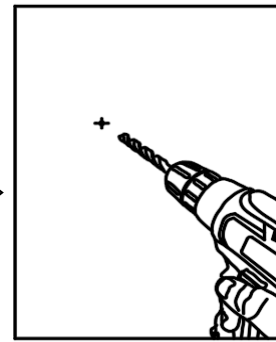
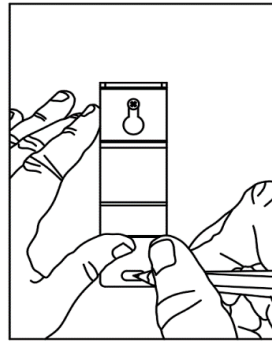
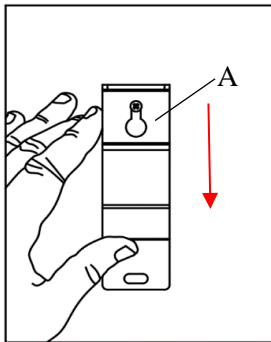
Size	X=Wall bracket distance
106"	1800 mm (70.87")
125"	2200 mm (86.61")
140"	2500 mm (98.43") The third is installed in the center



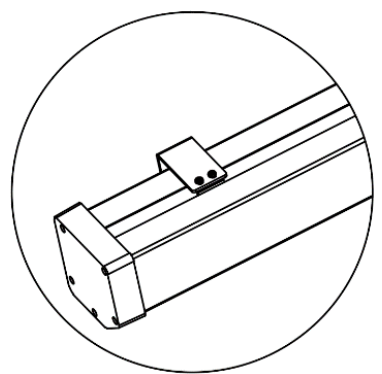
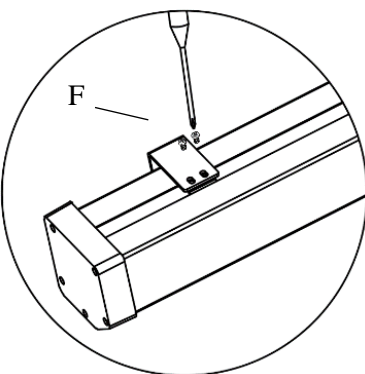
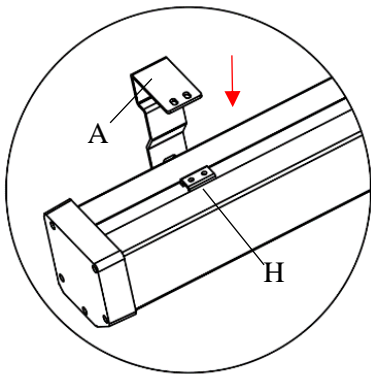
**Don't tighten the screw.
Leave about 5mm (0.2").**

Step 2:

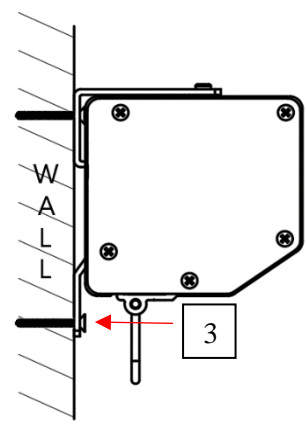
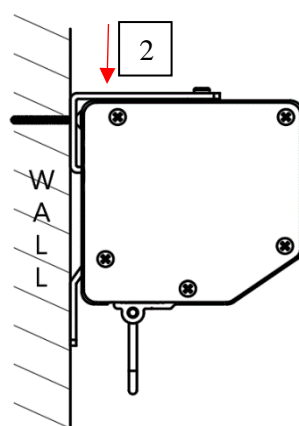
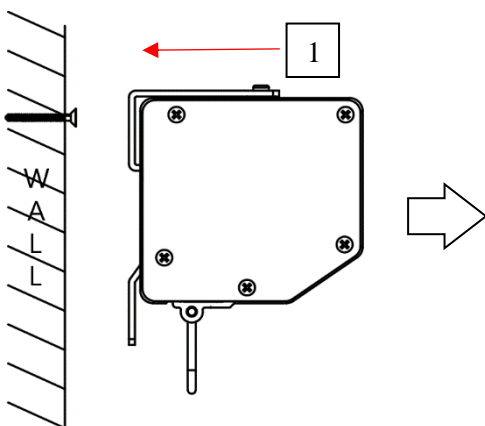
1. Install the wall bracket (A) to the wall.
2. Mark the center of the bottom hole with a pencil.
3. Remove the wall bracket (A), drill the holes, and insert the hollow wall anchors (D).



Step 3: Use M5 screws (F) to connect the wall bracket (A) to the bracket connector (H).



Step 4: Hang the screen on the wall and lock the lower hole with 5x50 wall screws (C). Slide the screen left or right if needed to position it accordingly.

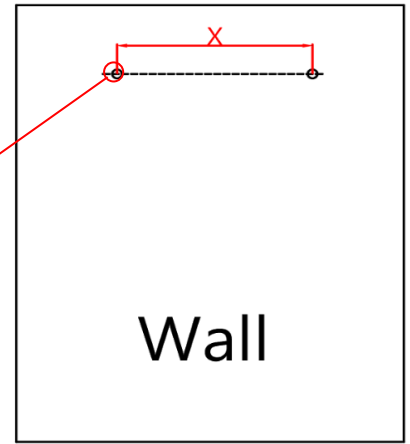
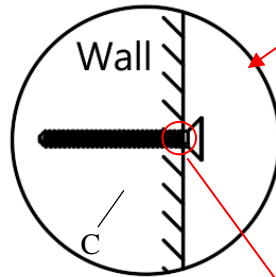
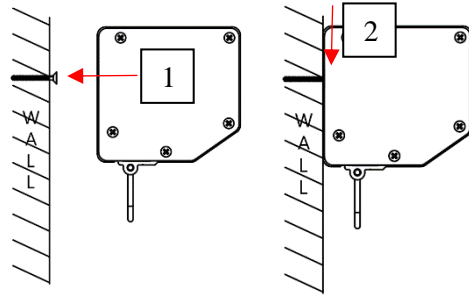
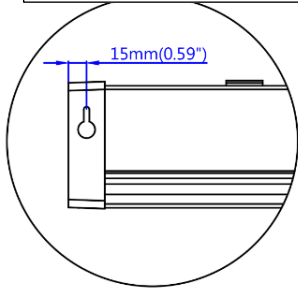


B. Wall Mount | End caps (not movable)

Step1: Determine where the screen will be installed. Measure the distance between each keyhole at end of end caps. Mark the screw hole locations, drill the holes and insert the hollow wall anchors (D) [if installing on drywall] and secure with a screw (C).

Size	X= End cap keyhole distance
106"	2702mm (106.38")
125"	3138mm (123.54")
140"	3454mm (135.98")

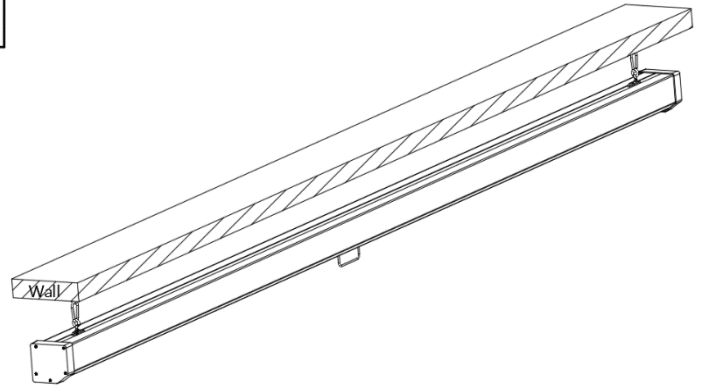
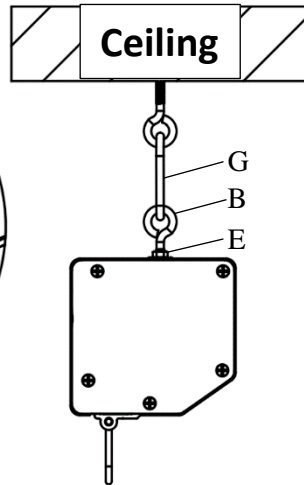
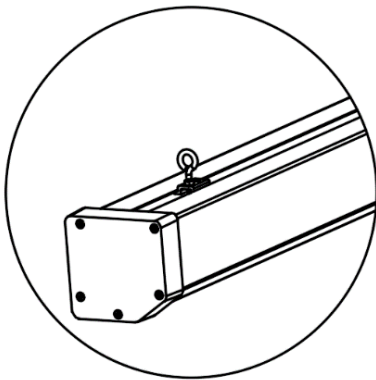
Keyhole located on back of end cap



Don't tighten the screw. Leave about 5mm (0.2").

C. Suspended Ceiling Installation (Additional hardware required)

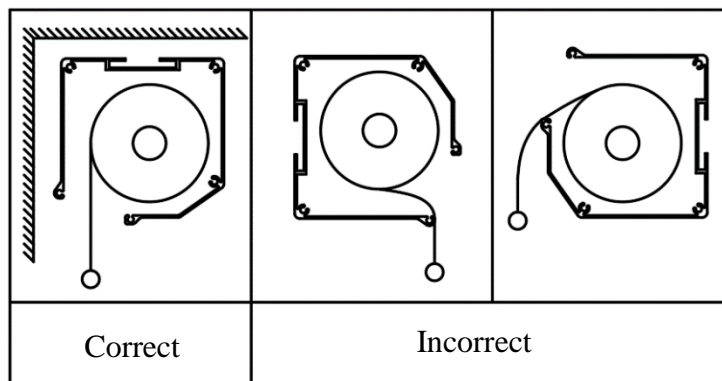
1. Fasten the Nut (E) to the Eyebolt (B) and screw it on the Bracket connector (H)
2. Install an eyebolt screw or any other hardware to the ceiling (not included).
3. Hang the screen to the ceiling using the snap link (G).



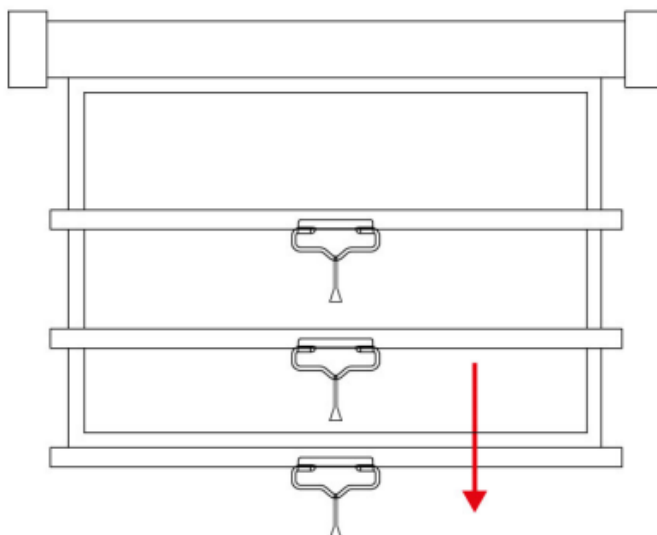
Screen Operation

CAUTION: Do not let go of the handle when the screen is retracting to avoid damage from slamming up.

Note: **Always** pull the screen down and retract it in a 90-degree vertical angle. Do not allow the screen to touch the screen case when the screen goes up or comes down to avoid damaging the screen material.



1. Pull the screen down from the lanyard or from the handle only in a 90-degree angle. Do not attempt to pull the screen down by the surface or touch the screen, as it will damage the screen and void the warranty.



Note: An internal auto-lock mechanism system will cause the screen to stop and lock on the position at intervals.

2. If you want the screen to retract back, simply pull the screen down more than 2 inches and retract the screen back by quickly and smoothly releasing it gently. **DO NOT** let go of the handle until fully retracted.

ATTENTION: Always release at a 90-degree angle and do not let go until the screen is entirely inside the case.

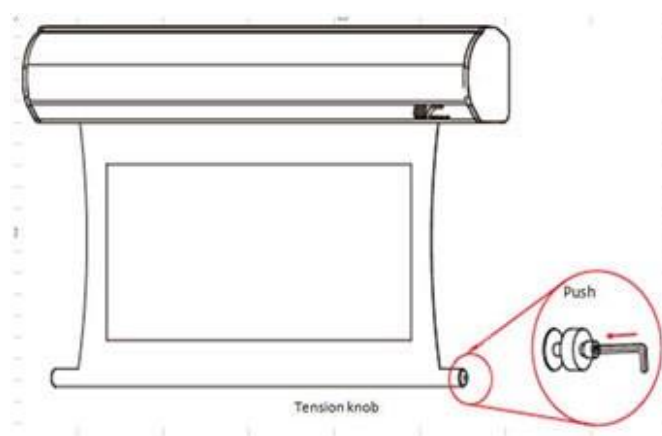
If ever the screen feels stuck, keep in mind that the screen's mechanism is new and needs to be run up/down a few times to loosen up. If this happens, carefully with a little force yank the screen straight down to unlock it.

Note: Improperly bringing the screen up/down will damage the screen material or rolling system.

RETRACTION TIP: If you are not able to pull the screen down two inches when attempting to retract it, give the screen a quick yank downwards with a little bit of force. Please be sure to not stand directly under the housing of the unit when yanking down on the screen.

Screen Material Tension Adjustment (4mm Allen Wrench required and not included)

Insert a 4mm Allen Wrench to push in the adjustment tension knob, turn clockwise to obtain more tension. Turn the Allen Wrench counterclockwise and the screen will release tension. Please note this adjustment is not necessary as the tension of the screen has been set to its factory setting for best performance. Please contact Elite ProAV for assistance to avoid damaging the screen and voiding your warranty.



For Technical Support or an Elite ProAV contact in your area, visit
www.eliteproav.com