



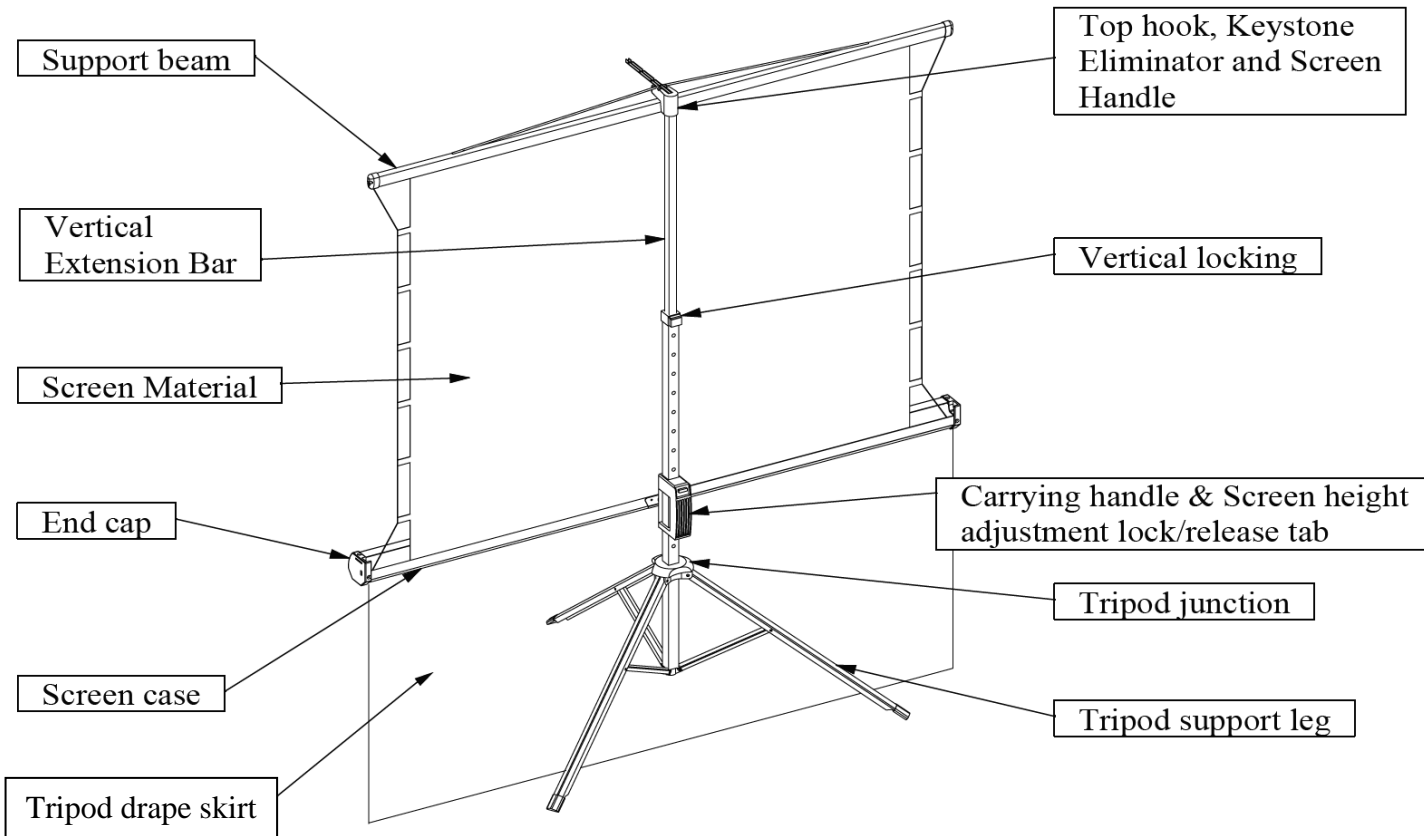
Tripod Tab-Tension Pro Series

Portable Tripod Tab-Tensioned Projection Screen

For models: **CineWhite UHD-B** (matte white) and **CineGrey 5D®** (Ceiling Ambient Light Rejecting)

USER'S GUIDE

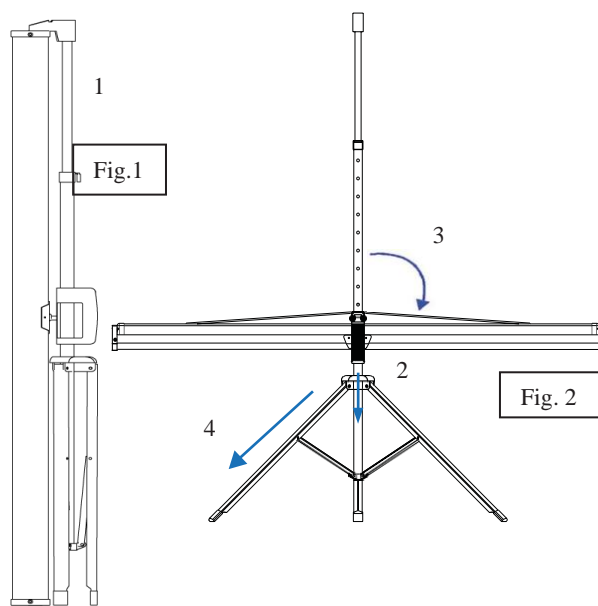
Tripod Screen Parts Identification



A. Tripod Screen Setup

Follow the steps below and Fig. 1 & 2.

1. Place the screen in an upright position (Fig.1) with the legs toward the ground.
2. Deploy the Tripod **Support legs** by pushing down on the **Tripod Junction**.
3. Turn the tripod's screen case in a 90-degree horizontal position so that the screen casing is now parallel to the ground with the screen handle facing the bottom of the top hook.
4. Completely extend the legs as much as possible so they are stable and position them away from objects that may interfere with their balance. **DO NOT** stand the tripod on an unstable platform to avoid an injury should the tripod screen collapse.



B. Preparing the tripod screen for projection:

Follow the steps below and Fig. 3.

1. Pull the screen handle up vertically and hook the screen handle on the **Top Hook**.

Note: Use the **Keystone Eliminator** to prevent “Keystone Effect” from occurring. **Keystone Effect** is caused when a projector presents its image at a downward angle causing a trapezoid-shaped image to appear on the screen. The **Keystone Eliminator** is designed to eliminate that effect by sloping the screen forward.

2. Push/press the **Vertical Locking Tab** to unlock the current position of the **Vertical Extension Bar** and raise it with another hand. Remain pushing on the button until you reach the desired height and let go until you hear a click sound which indicates it is locked in place.

3. Push/press the **Screen Height Adjustment Lock/Release** located just above the **Carrying Handle** to raise or lower the bottom of the screen. Once the desired height has been set, let go of the tab to lock the position in place.

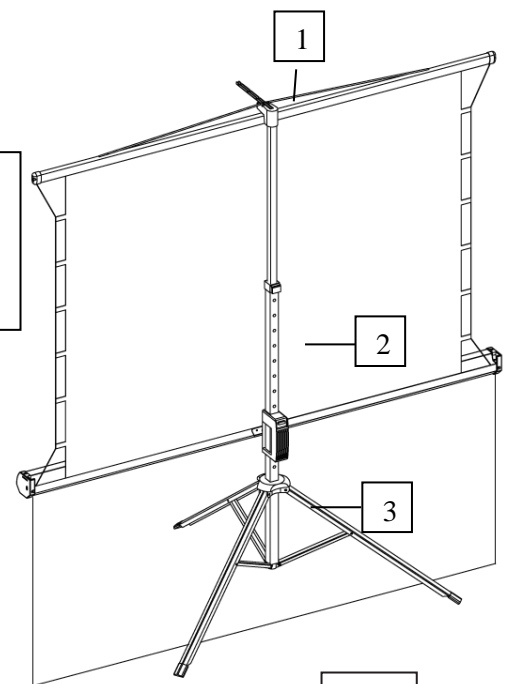


Fig. 3

Tripod Skirt Installation

4. Unfold the tripod skirt in a clean area. Use the magnetic bars to attach it to the tripod case.

C. Collapsing the screen:

Follow the steps below and Fig. 4.

1. Push/press the **Screen Height Adjustment Lock/Release** to unlock and slowly slide the handle all the way up to slowly retract the screen into its case.
2. Unhook the screen material from the **Top Hook** and slowly retract the screen back into the case.
3. Once the material is in its case, Push/press the **Screen Height Adjustment Lock/Release** to unlock and slowly slide the handle all the way down to bring down the position of the screen's case.

4. Hold the **Extension Bar** and Push/press the **Vertical Locking tab** to unlock and release the position of the extension bar. Bring the extension bar all the way down.

Note: It is very important to remember to hold the extension bar first and then unlock the adjustment tab to prevent the extension bar from slamming and causing injury or damaging the screen.

5. Turn the screen's case **vertically clockwise** and insert the **TopHook's** bottom pin to lock into the screen's end cap hole.
6. Close the tripod legs by pushing them in.

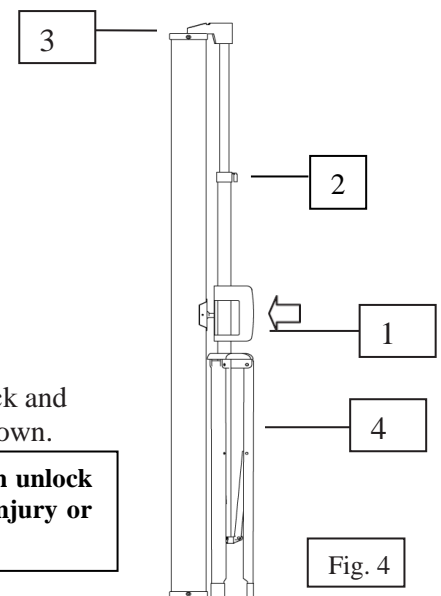


Fig. 4

Note:

- To ensure the screen is stable, extend the tripod's legs as much as possible.
- Do not fold the screen or allow any sharp objects to touch the screen's surface.
- Clean the screen surface often when needed.
- Careful use will extend the lifetime of this product.

For more information, technical support or your local Elite ProAV contact, please visit www.eliteproav.com

Notice to Installer:

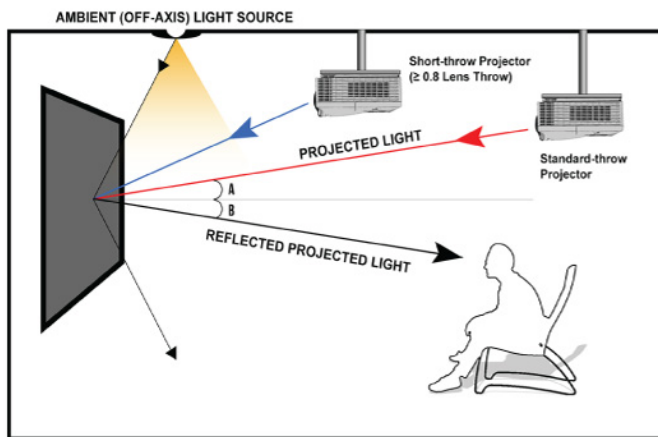
Please use the following installation instructions to obtain superior optical performance from the CineGrey 5D® Angular Reflective CLR®/ALR (Ceiling Ambient Light Rejecting) Screen

Make sure to follow these instructions in order for the CineGrey 5D® to perform correctly.

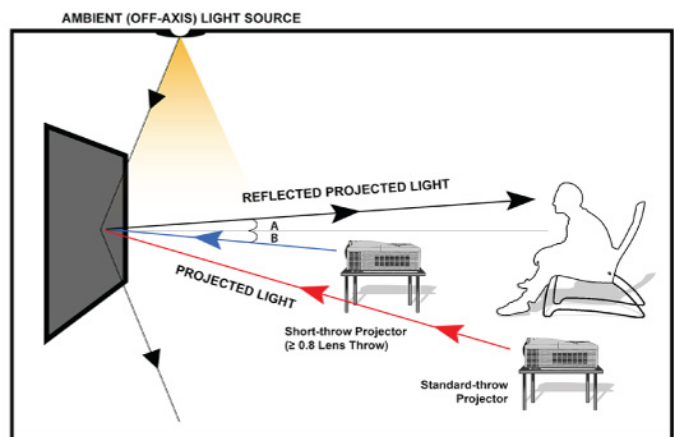
1. Ambient Light must not come from the same direction as the projector's light
2. Minimum Lens Throw Ratio of 0.8 x image width
3. Compatible with Short Throw projector with a 0.8 lens throw equal or greater
4. Not compatible with Ultra Short Throw Projectors

Correct Installation Examples

Projector Ceiling Installation: Make sure the projector (*light in*) is angled (A) to reflect (B) at the mirror-opposite angle (*light out*) to align with the viewer's eye level.

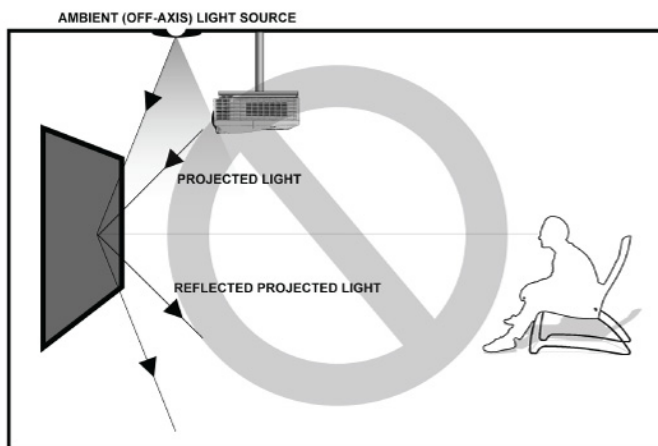


Projector Table Top: Make sure the projector (*light in*) is angled (A) to reflect (B) at the mirror-opposite angle (*light out*) to align with the viewer's eye level.

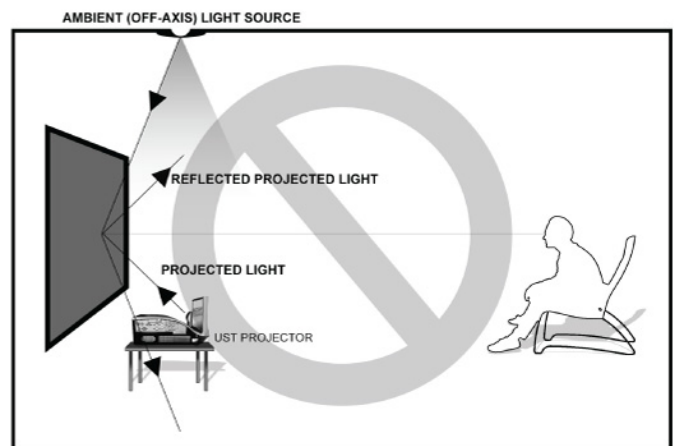


Incorrect Installation Examples

Ceiling Mounted Ultra Short-throw Projector



Tabletop Ultra Short-Throw Projector



Note: Improper installation will result in light loss and produce a dark image. This is due to the projector's light reflecting in the wrong direction.

Images are not up to scale and are for illustration purposes only.