



Outdoor Manual Tension Pro Series

Tab-Tensioned Outdoor Manual Projector Screen

User's Guide - V1.0

Visit www.eliteproav.com for latest updated version.

Thank you for choosing the **Outdoor Manual Tension Pro** projection screen! This tab-tensioned manual screen utilizes our CineWhite® front projection material which performs best at night. It has earned the renowned **ISF Certification** for accurate color reproduction in a dark room environment.

Compatible with Ultra, Short, and Standard Throw projectors.

Product Description: The **Outdoor Manual Tension Pro** is a retractable pull-down outdoor projector screen for wall and patio installations that brings media room quality to your outdoor spaces. Its sleek aluminum casing beautifully accessorizes your backyard, patio, pool deck or anywhere a gathering for evening movie time is appropriate.

Please be sure to read the precautions and operating instructions carefully before operating the screen. Proper maintenance and handling will ensure a longer lifespan of the product.

Outdoor Projection Screen Disclaimer

Never leave your projection screen out and exposed to direct sunlight. Regardless of screen brand, prolonged exposure to the sun's ultraviolet radiation degrades the chemical bonds causing the material to eventually decompose. Photo degradation first causes the material to lose its theater-grade reflective qualities. Eventually nature will destroy even synthetic materials. For this reason, the **Outdoor Manual Tension Pro** has a retractable design that allows the material to be drawn up into its protective casing to be shielded from solar radiation.

Care & Use Instructions

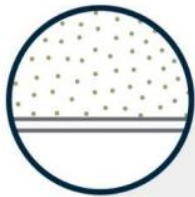
- ◆ **Dust, dirt, and scratches on the projection surface will affect the picture quality, please take note of the points below to prevent that from occurring:**
 1. Do not touch the projection surface with your hands.
 2. Do not write or draw on the projection surface.
 3. Do not use fingers or sharp objects to point on the projection surface; this will damage the screen material.
 4. Use a soft-damp cloth to clean the projection surface; do not use chemical cleaning agents or alcohol.
 5. Use clean water when dampening the cleaning cloth and do not rub against the material to clean it.
- ◆ When the screen is operated, it may cause slight waves on the left/right black masking border ends. If this happens, open the screen to its full extent (not passed the STOP point) to allow the material to smooth out for a few hours.
- ◆ To avoid damage and injury, the screen should only be operated by adults.

Understanding the Ingress Protection Rating IP65

IP Rating Chart

1st Digit - SOLID

Degree of protection against solid objects



Dust tight.
No ingress of dust.

6

2nd Digit - LIQUID

Degree of protection against water



Protected against
water jets from any
angle.

5

Note: Wall screws included with this product are complementary and may not be adequate for all mounting surfaces. Consult with a professional installer or hardware store for proper mounting screws and anchors.

Regardless of the mounting method, the screen should be securely supported so that the vibration or pulling on the viewing surface will not cause the screen case to become loose or fall. The installer must ensure that proper mounting hardware and the fasteners used are of adequate strength and suitable for the mounting surface.

Hardware Parts List for Outdoor Manual Tension Pro Series

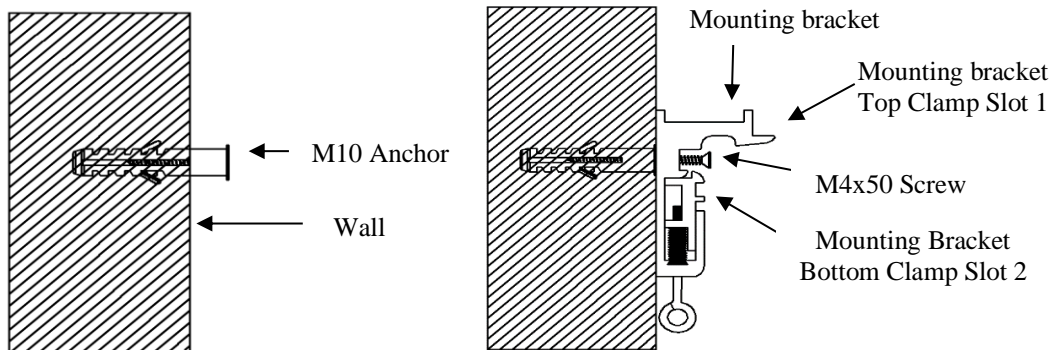
A. Mounting Bracket x2 pcs	B. M10 Anchor and M4x50 Screw x4 pcs	C. M10 Anchor and M5x50 Screw x1 pc	D. Suspended Ceiling Bracket Connector x2 pcs	E. M5x15 Screw & Bolt x4 pcs

Installation Instructions

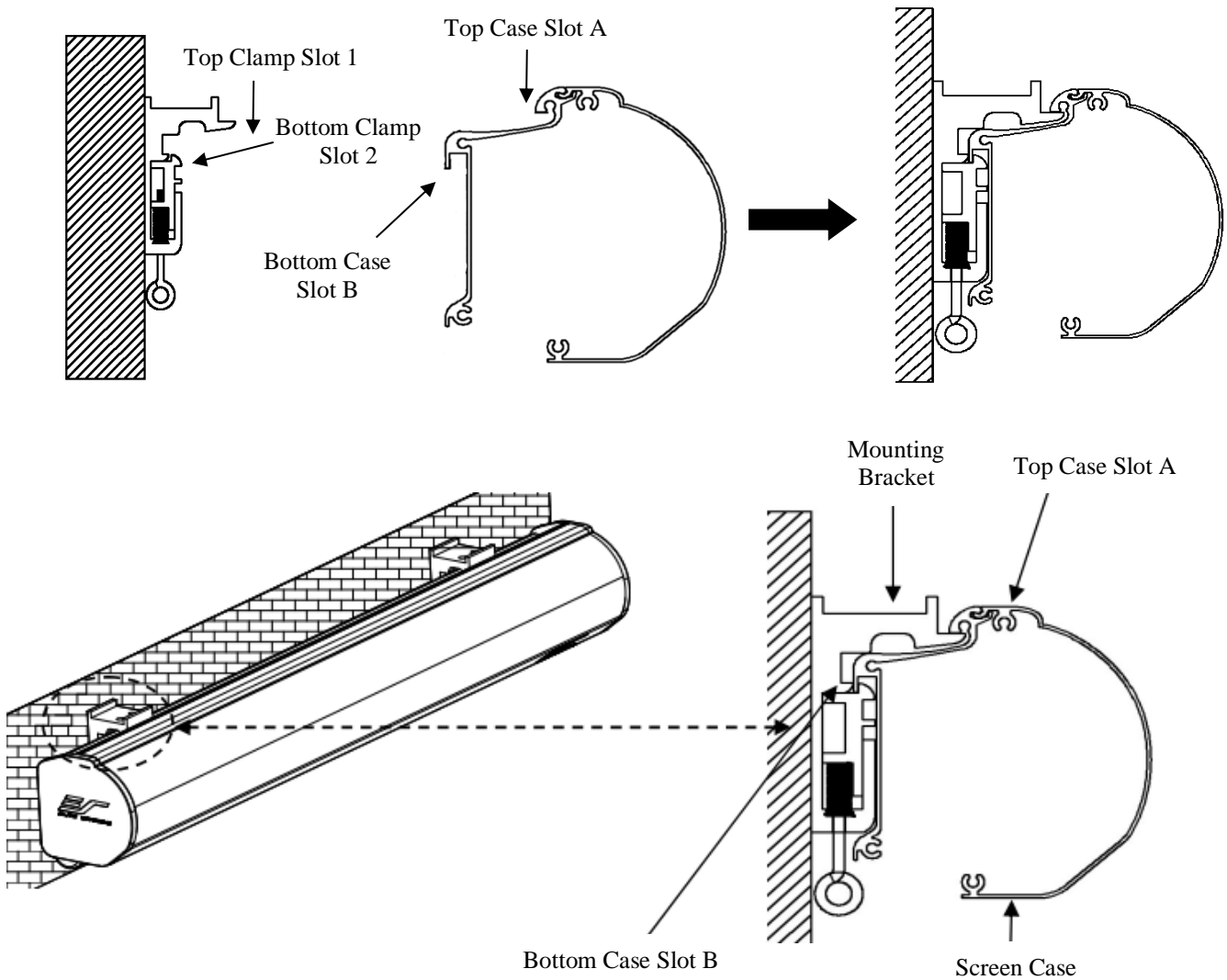
Please consult a professional installer, Elite ProAV is not liable for faulty installations.

Flush Mount to the Wall

1. Mark the location of where the screen is to be installed, drill your holes, and insert the **M10 Anchors (B)**.
2. Install the **Mounting Brackets (A)** to the wall and secure with the **M4x50 Screws (B)**.

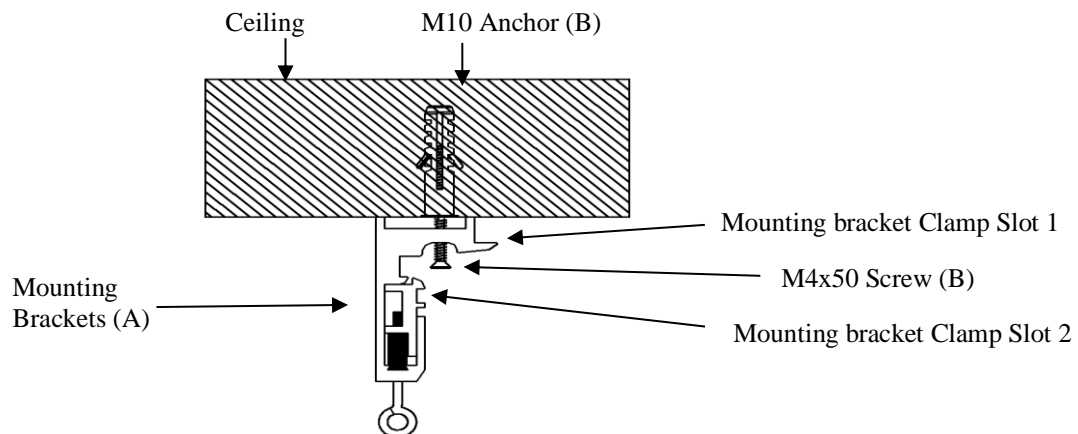


3. Insert and attach the **Top Case Slot A** to the **Top Clamp Slot 1**, then secure it by pushing and clicking it in the **Bottom Case Slot B** to the **Bottom Clamp Slot 2**. Make sure the case slots are securely attached to the mounting brackets.

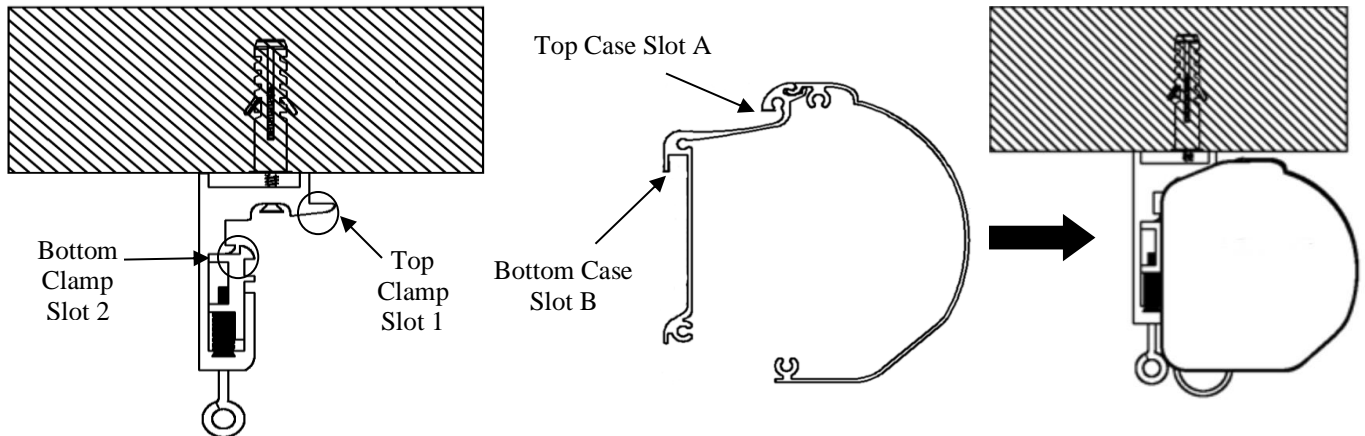


Ceiling installation

1. Mark the location of where the screen is to be installed, drill your holes, and insert the **M10 Anchors (B)**.
2. Install the **Mounting Brackets (A)** to the ceiling and secure them with the **M4x50 Screws (B)**.



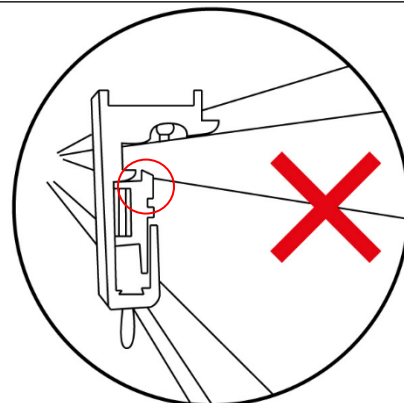
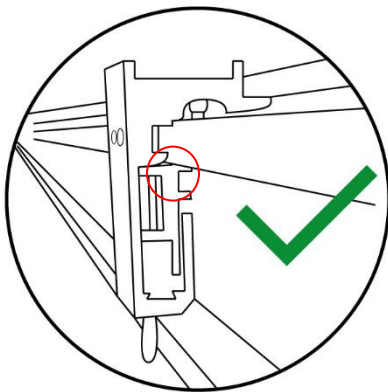
3. Insert the and attach the **Top Case Slot A** to the **Top Clamp Slot 1**, then secure it by pushing and clicking it in the **Bottom Case Slot B** to **Bottom Clamp Slot 2**. Make sure the case slots are securely attached to the mounting brackets.



IMPORTANT: PROPERLY ATTACH THE BRACKET TO THE SCREEN CASE

CORRECT: BOTH TOP/BOTTOM MOUNTING BRACKET SLOTS ARE SECURELY LATCHED IN SCREEN CASE.

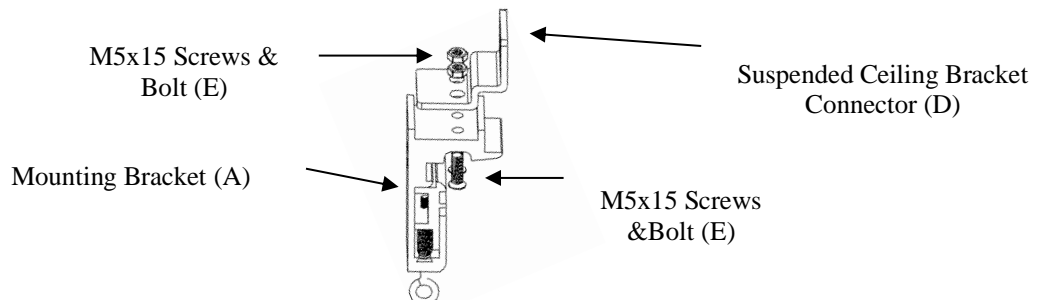
INCORRECT: BOTTOM MOUNTING BRACKET CLAMP SLOT IS NOT SECURELY LATCHED IN SCREEN CASE.



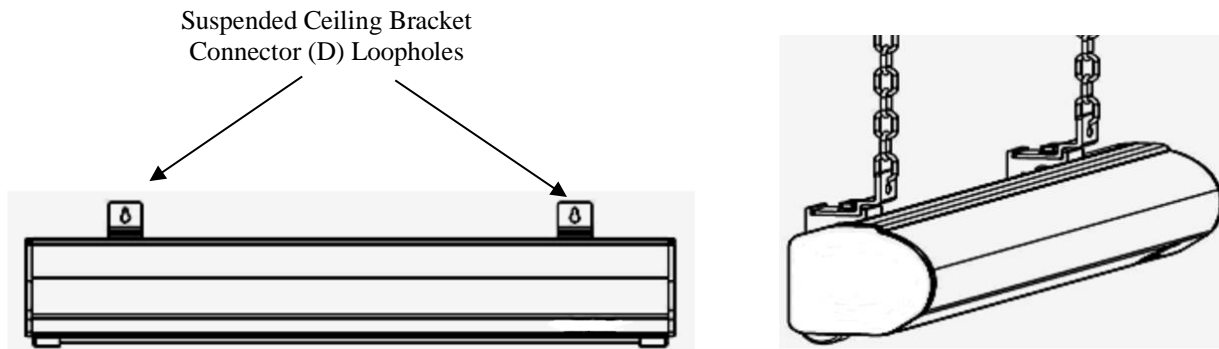
CAUTION: THE WALL BRACKET MUST BE SECURELY LATCHED IN THE CASE SLOTS TO PREVENT THE CASE FROM FALLING OFF.

Suspended Ceiling using Chains (User-supplied)

1. You can also hang the screen on a ceiling by using chains (not included).
2. Connect the **Suspended Ceiling Bracket Connector (D)** to the **Mounting Bracket (A)** and secure with the **M5x15 Screws & Bolts (E)**.

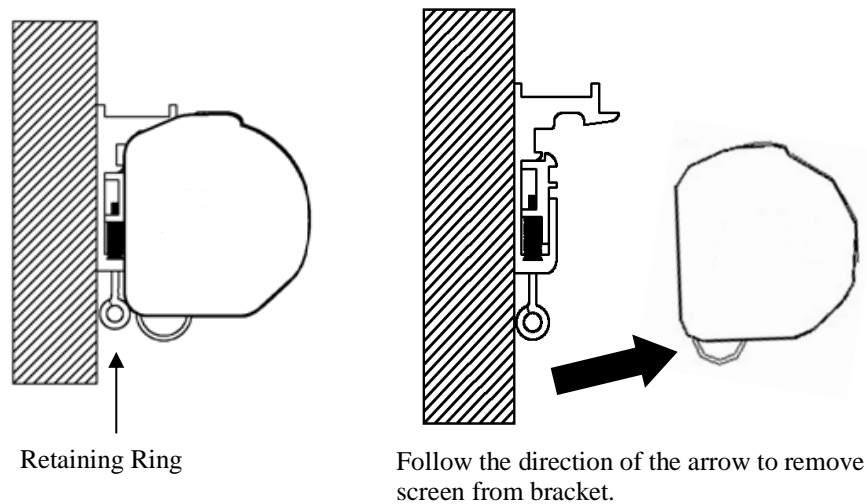


3. Insert chains (not included) through the loopholes of the **Suspended Ceiling Bracket Connector (D)**.



Screen removal from the Mounting Brackets

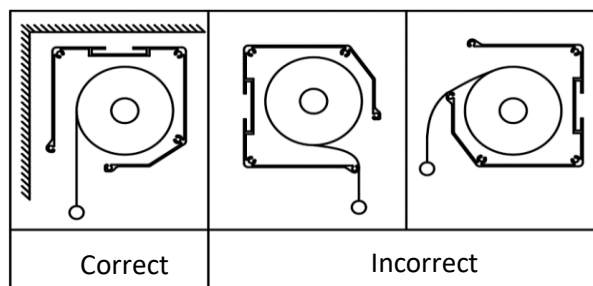
Pull down on the Mounting Bracket **Retaining Ring** and remove the bottom case away from the wall/ceiling followed by the top of the case.



Screen Operation

CAUTION: Do not let go of the handle when retracting the screen to avoid damage from slamming up.

Note: **Always** pull the screen down or let it up in a 90-degree vertical angle. Do not allow the screen to touch the screen case when the screen goes up or comes down to avoid damaging the screen material's projection surface.



1. Pull the screen down from the lanyard or the handle only at a 90-degree angle. **NEVER** attempt to pull the screen down by the surface or touch the screen, as it will damage the screen and void the warranty. Pull straight down and allow the screen to come up to lock into the desired position.

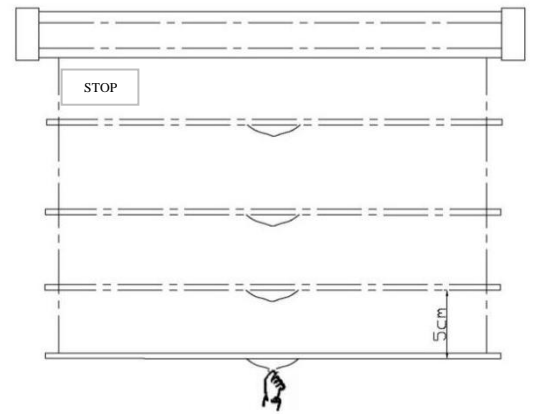
TIP: Pull the screen material down to its full extent (not passed the stop label) to ensure maximum flatness.

DO NOT try to pull the screen beyond the STOP label position, as this may cause the screen material to come off the roller.

2. To retract the screen, simply pull the screen downward from the handle or lanyard more than 2 inches (5cm) and retract the screen back releasing it up gently. **DO NOT let go of the handle until fully retracted in the housing.**

NOTE: If the screen does not unlock, carefully pull the screen straight down with a little force. Always pull the screen down at a 90-degree angle.

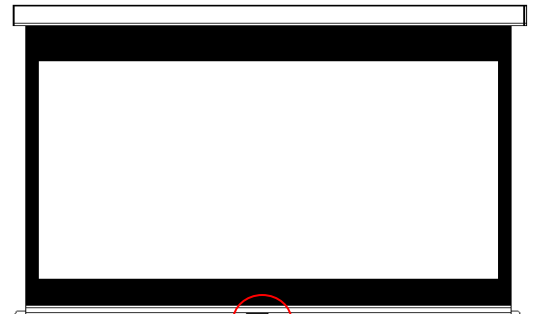
ATTENTION: Always retract the screen when no longer use, to avoid the screen material from deforming.



Securing the weight bar location

1. Pull the screen down until you have reached the desired location.
(Suggestion: Ensure that the surface is flat)

2. Mark the drill-hole area of where the screw is to be installed, then retract the screen.



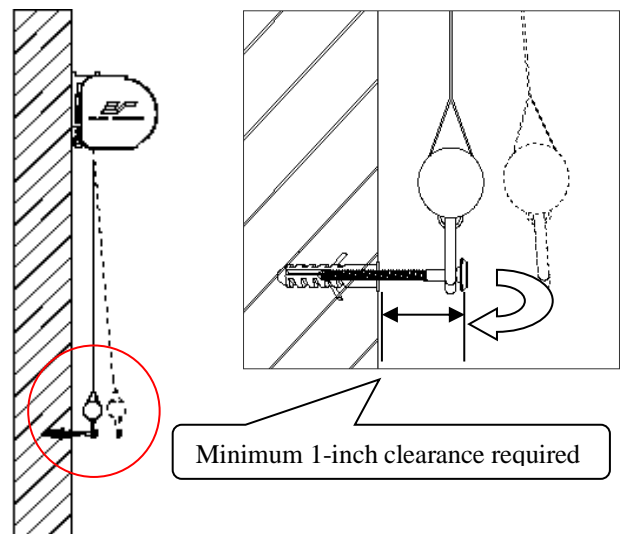
Mark the drill-hole area

3. Drill the hole and insert an **M10 Anchor (C)**, secure it with a **M5x50 Screw (C)**. Allow a 1-inch gap between the wall and screw head to allow room for the weight bar and pull handle to release freely.

4. Pull the screen down and secure it to the screw location.

5. Make any adjustments if there are any deviations.

Note: Remove the screw when not in use any longer to avoid an accident.



For more information, technical support, or your local Elite ProAV contact, please visit www.eliteproav.com