



Manual Tab-Tension Pro Series

Manual Pull-Down Projector Screen

User's Guide – V1.0 (H Type)

Visit www.eliteproav.com for latest updated version.

Thank you for choosing the Manual Tab-Tension projection screen!

Product Description: The Manual Tab-Tension screen is a retractable pull-down projector screen for wall and ceiling installations. The Manual Tab-Tension uses a slow retract mechanism that allows the screen to retract back into the casing unassisted. It utilizes our *CineWhite® P* front projection surface which performs best in a light controlled environment and has earned the renowned ISF Certification for accurate color reproduction.

Compatible with Ultra-Short, Short, and Standard Throw projectors.

Please be sure to read the precautions and operating instructions carefully before operating the screen. Proper maintenance and handling will ensure a longer lifespan of the product.

Elite ProAV allows a 1.5% tolerance within the viewing surface for expansion and contraction of the screen materials over time.

Care & Use Instructions

◆ *Dust, dirt, and scratches on the projection surface will affect the picture quality, please take note of the points below to prevent that from occurring:*

1. Do not touch the projection surface with your hands.
2. Do not write or draw on the projection surface.
3. Do not use fingers or sharp objects to point to the projection surface; this will damage the screen material.
4. Please clean the dust on the screen surface with a soft brush or microfiber cloth (rough towel or cloth may damage the screen's surface).
5. Use a soft-damp cloth to clean the projection surface; do not use chemical cleaning agents or alcohol.
6. Gently wipe the screen with a lightly moistened microfiber cloth with mild soap diluted in water and do not rub against the material to clean it. **Wipe very gently when needed from left to right only.**

◆ When the screen is operated, it may cause slight waves on the left/right black masking border ends. If this happens, open the screen to its full extent (not passed the STOP point) to allow the material to smooth out for a few hours.

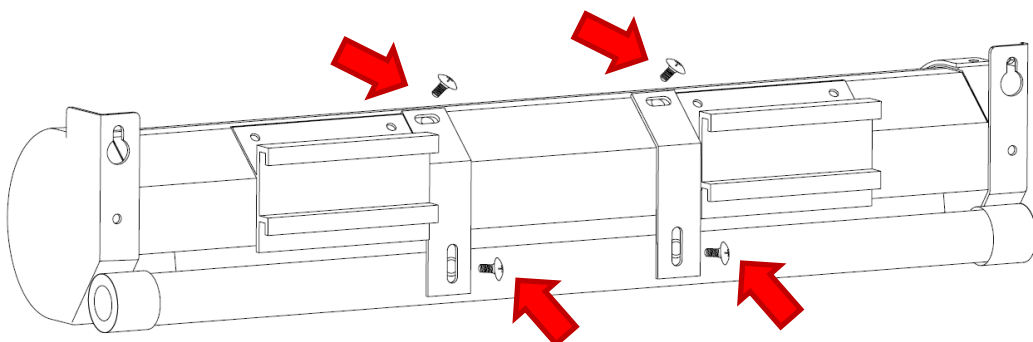
◆ To avoid damage and injury, the screen should only be operated by adults.

SHIPPING BRACKETS REMOVAL

WARNING!

PLEASE READ BEFORE INSTALLING!

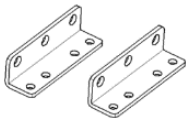
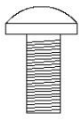
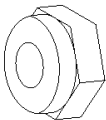

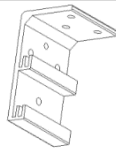
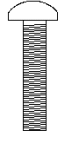
Please note: Before fully operating the screen. Remove the shipping brackets from the housing and the weight bar by loosening the 4 screws.



Note: Wall screws included with this product are complimentary and may not be adequate for all mounting surfaces. Consult with a professional installer or hardware store for proper mounting screws and anchors. Regardless of the mounting method, the screen should be securely supported so that the vibration or pulling on the viewing surface will not cause the screen case to become loose or fall. The installer must ensure that the proper mounting hardware and fasteners used are of adequate strength and suitable for the mounting surface.

Hardware and Parts List

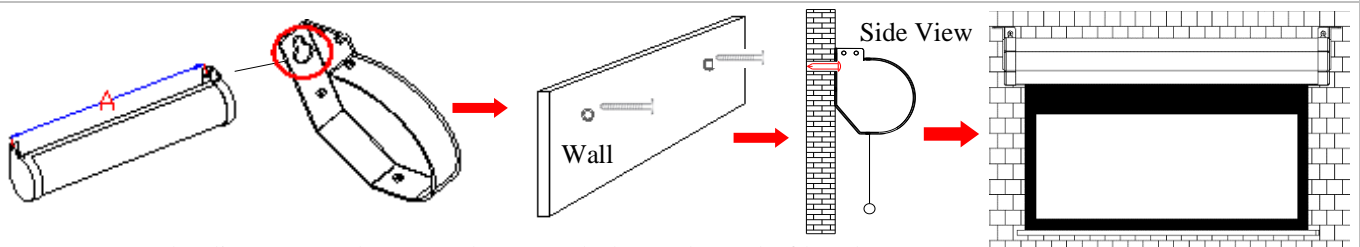
Please make sure all parts listed below are included before proceeding with the installation.

A. Bracket x 2	B. M5x11mm screw x 4	C. M5 Nut x 4	D. M5x60 screw & Dry-wall anchor x 6	E. Wall/Ceiling mount bracket x 2	F. M5x50mm screw x 2
					

Installation instructions

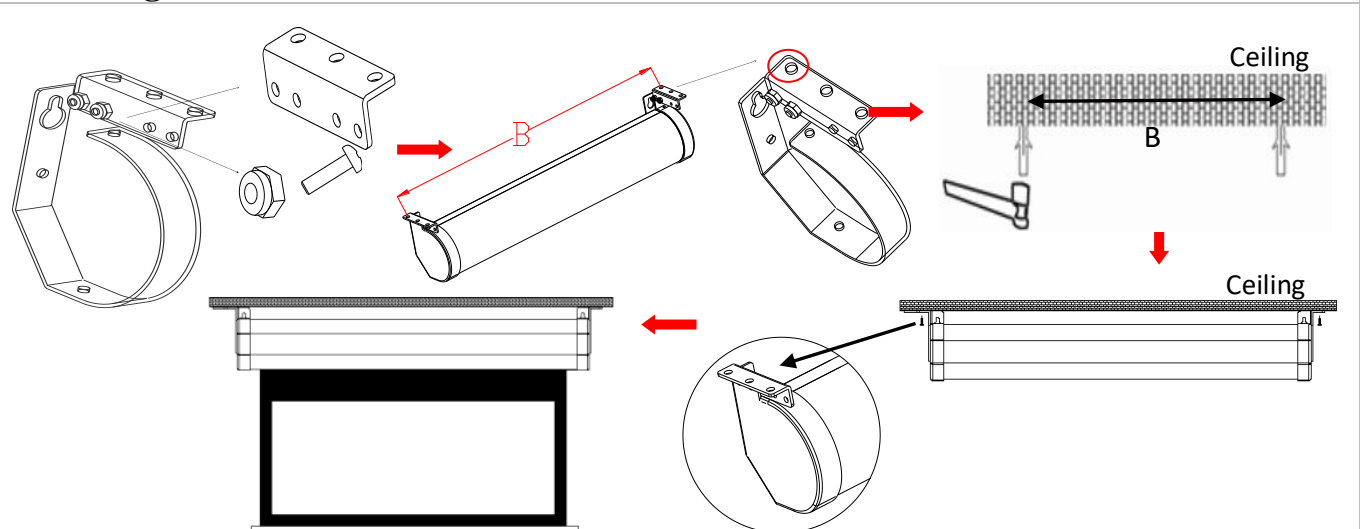
For installation assistance, please consult a professional Installer. Elite Screens is not liable for faulty installations.

A. Wall Mount



1. Measure the distance (A) between the screw holes at the end of brackets.
2. Drill two holes on the wall according to the distance (A) and insert the **dry-wall anchor** and **M5x60 screw**, leaving 10mm of the screw protruding from the wall.
Two or more people are required while one holds the screen in place.
3. Mount the product onto the screw.
4. Make sure the screen is properly leveled.

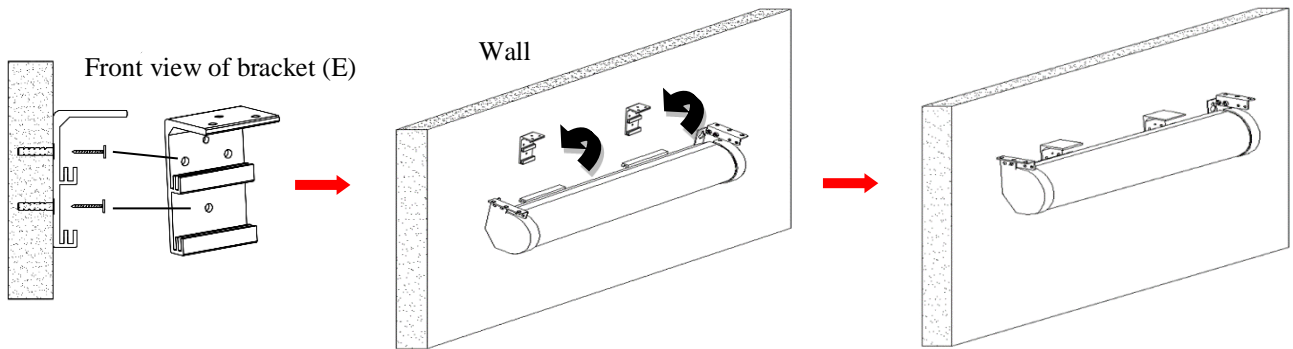
B. Ceiling Mount



1. Attach the **Bracket** (A) to each side end cap using the **M5x11 Bolt Screw and M5 Nut** (B / C).
2. Measure the distance B between the screw holes on the brackets. Drill 3 holes each side on the ceiling according to the distance B. Wood stud installation recommended but if not available, use dry-wall anchors.
3. Insert the dry-wall anchor and secure using a hammer.
Two or more people are required while one holds the screen in place.
4. Align the hole position of the bracket with the drilled holes on the ceiling, and secure with **M5x60 screw**.
5. Make sure the screen is properly leveled.

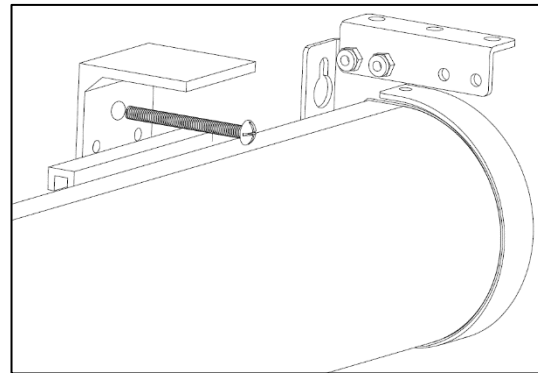
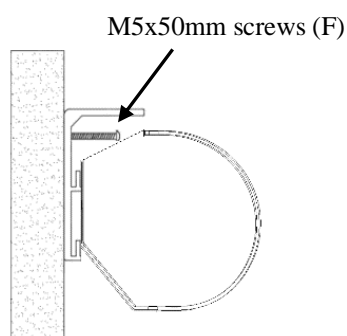
C. Wall Mount

This mount method allows the screen to slide horizontally.

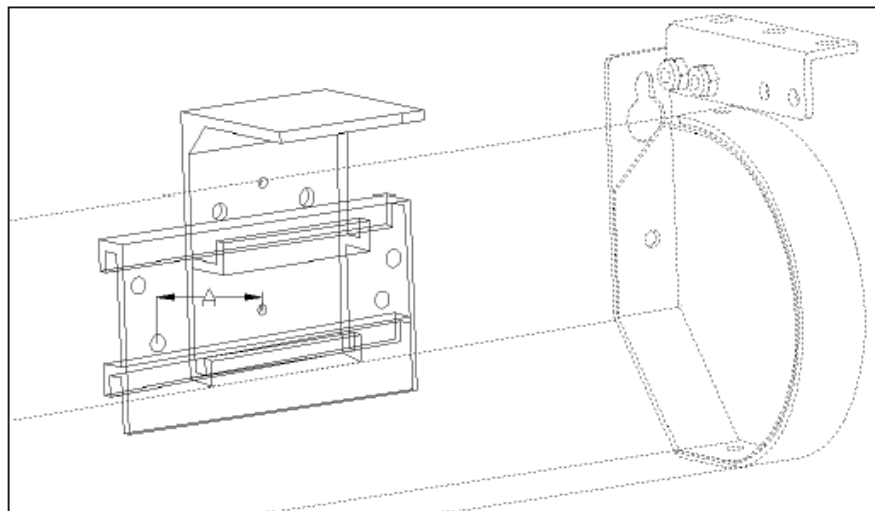


Two or more people are required while one holds the screen in place.

1. Determine where the screen will be installed. Then, measure and mark the distance between the top and bottom screw holes from each **Wall/Ceiling mount bracket (A)**.
2. Drill a hole on all marked points and install the brackets with the **dry-wall anchor(C)**, **M5x60 screw (B)**, Make sure both brackets are properly leveled.
3. Hang the screen by placing the **lower** “catch” located on the back over the brackets **upper** “catch”.
4. Screw the M5x50mm screws (F) into the upper hole of the bracket to add additional support for the screen.



5. After making sure the screen is secured, you can slide it left / right within 3” (80 mm) of the bracket’s center position. (A = 3” / 80mm)

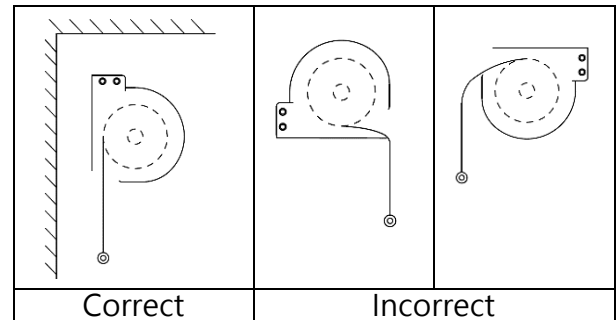


SCREEN OPERATION

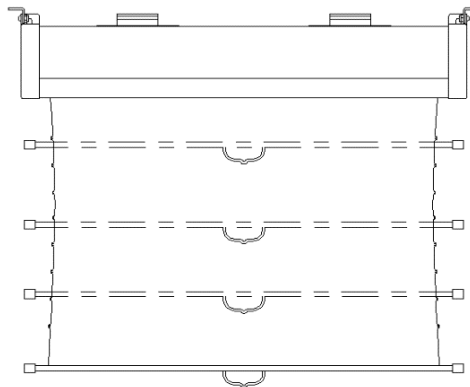
Hydraulic SRM Disclaimer: The Hydraulic Motion Arrester is liquid based and the friction caused by repetitive/consecutive (5x or more up/down) operation heats up the hydraulic fluid causing it to temporarily lose its motion-arresting capability. If this occurs, please let the screen stand for 15-20 minutes to allow the fluid to cool and resume its SRM function.

CAUTION: Do not let go of the handle when retracting the screen to avoid damage from slamming up when the screen's SRM function is non-operational as described in disclaimer.

Note: **Always** pull the screen down or let it up in a 90-degree vertical angle. Do not allow the screen to touch the screen case when the screen goes up or comes down to avoid damaging the screen material's projection surface.

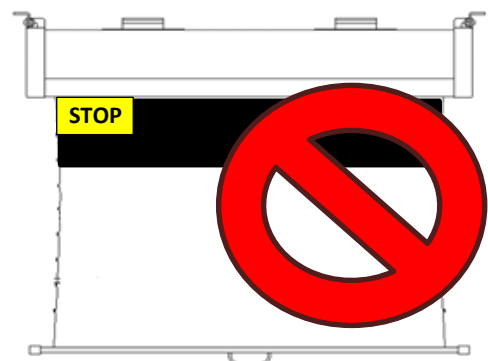


1. Pull the screen down from the lanyard or the handle only at a 90-degree angle. **NEVER** attempt to pull the screen down by the surface or touch the screen, as it will damage the screen and void the warranty. **Pull straight down and allow the screen to come up to lock into the desired position.**



TIP: Pull the screen material down to its full extent (not passed the STOP label) to ensure maximum flatness.

DO NOT try to pull the screen beyond the STOP label. This may cause the screen material to come off the roller and/or disengage from the retraction mechanism which will make the screen inoperable and void warranty coverage.



2. To retract the screen, simply pull the screen downward from the handle or lanyard more than 2 inches (5cm) and allow the screen to slowly retract itself back up into the housing.

NOTE: If the screen does not unlock, carefully pull the screen straight down with a little force. Always pull the screen down at a 90-degree angle.

ATTENTION: Always retract the screen when not in use to avoid the screen material from deforming.

For more information, technical support or your local Elite ProAV contact, please visit www.eliteproav.com