



Golf Portable Pro Series

Multi-Sports/Golf Simulation Impact Screen

User's Guide – E/H Type

V1.0

Visit www.eliteproav.com for latest updated version.

Thank you for choosing the Golf Portable Pro projection screen! Please read through this user guide before utilizing the screen. Correct usage and maintenance will ensure a long product life.

Care & Use Instructions

- ◆ Elite Screens highly recommends two people to assemble the ***Golf Portable Pro*** screen.
- ◆ Make sure to distinguish the front/back of the impact/projection screen when setting it up. **The backside has Velcro.** Follow the instructions in the screen assembly section to assure the front side is set up properly.
- ◆ Be sure to use the screen only during a light breeze (up to wind speeds of 7 mph); it is not meant to withstand heavy winds. ****Elite ProAV is not responsible for damages due to negligence resulting from misuse under weather conditions and will void your warranty.***
- ◆ Dust, dirt and scratches on the projection surface will affect the picture quality, please take note of the points below to prevent that from occurring:
 1. Do not touch the projection surface with your hands.
 2. Do not write or draw on the projection surface.
 3. Do not point at the projection surface with your fingers or sharp objects; this will damage the screen material.
 4. Use a soft bristle brush or dry microfiber cloth to remove dust from the screen surface.
 5. Do NOT use any solutions, chemical cleaning agents, alcohol, or abrasive to clean the screen surface.
 6. When cleaning the projection surface, use a soft cloth dampened with warm water to remove any traces.
 7. Do NOT rub or apply pressure when cleaning the surface.
 8. Use a fabric steamer no higher than Polyester setting to remove any wrinkles or folds in the material.
- ◆ After using the screen, disassemble it and store it in the carrying bag provided.
- ◆ To avoid damage and injury, the screen should only be operated by adults.

Product Description

Design: The aluminum frame is designed to be light weight and easily operated making it easy to carry, assemble and disassemble.

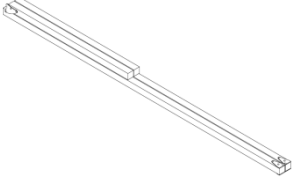
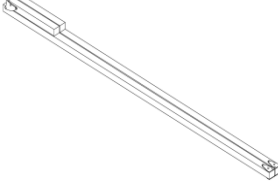
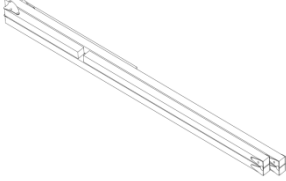
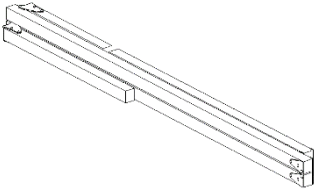
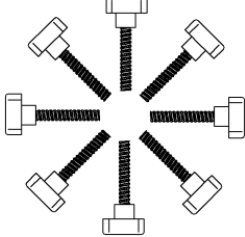

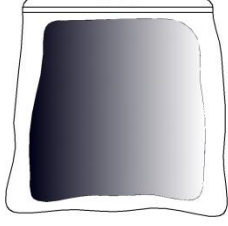


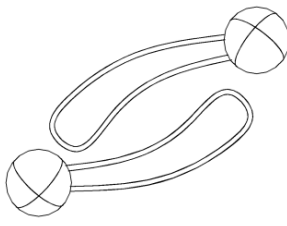
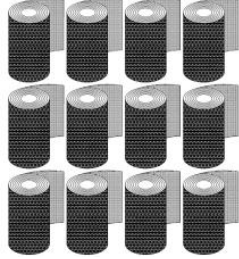
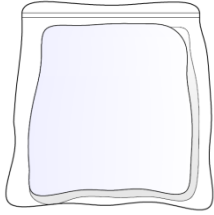



Screen Fabric: The screen fabric is attached to the rectangular frame and held in place by Velcro strips, which ensure an evenly stretched and flat surface. The ImpactWhite® 350 screen material is durable and can be folded many times without causing damage or distortion to the surface.

Installation Tips and Precautions

We consider our impact screens a wearable item and the life of them will vary according to their use.

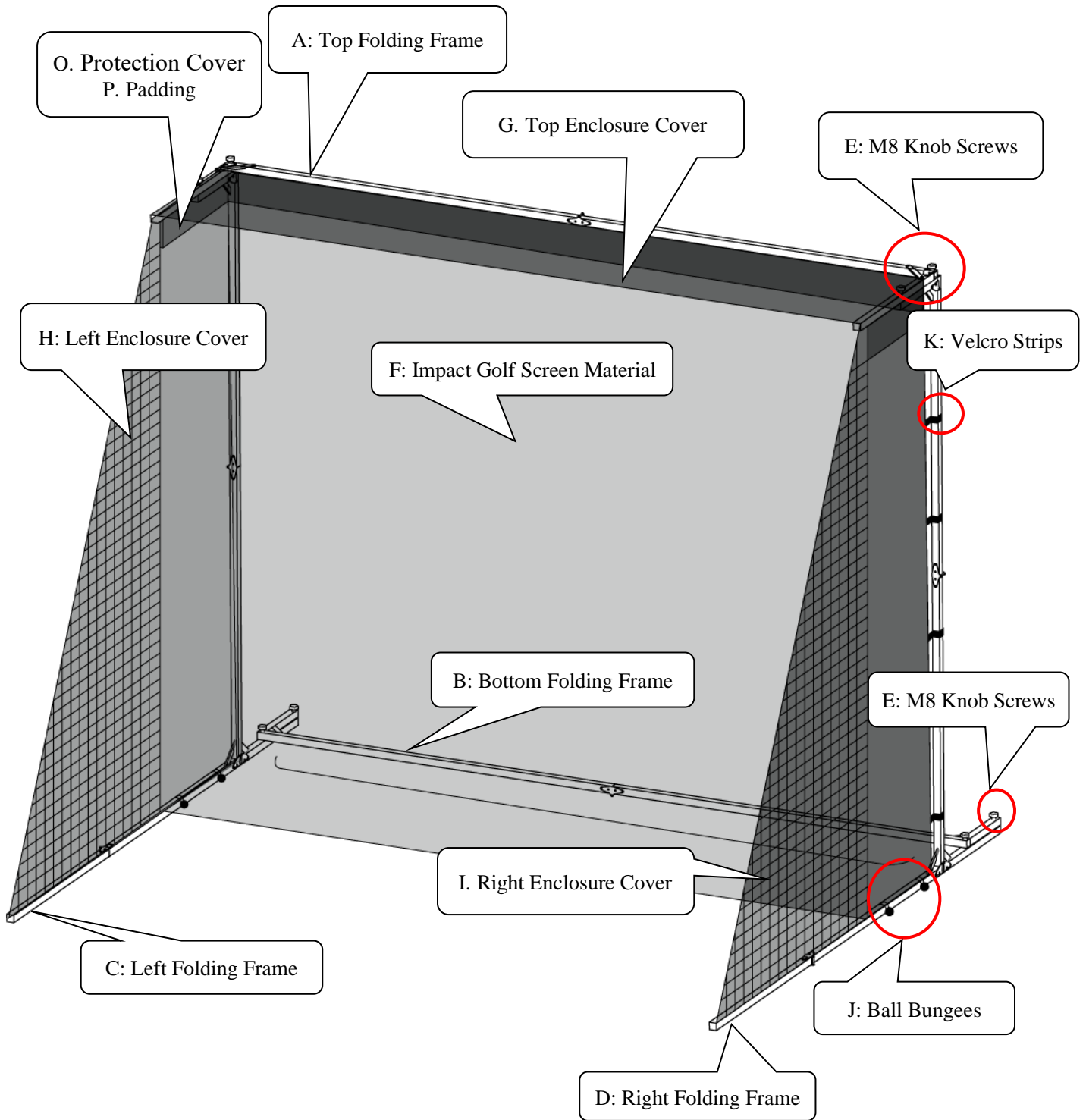
1. Make sure to allow proper distance for swing range to protect children, pets, ceilings, walls, windows, or any other property.
2. Avoid using golf balls with scuffs or markings to maximize the life of your ImpactWhite® 350 screen. If possible, use new golf balls.
3. Never place the screen over a window or under constant sun exposure. Solar radiation from direct sunlight destroys the synthetic fibers of the screen.

Hardware and Parts list

<p>A: Top Folding frame x 1</p> 	<p>B: Bottom Folding frame x 1</p> 	<p>C: Left Folding frame x 1</p> 
<p>D: Right Folding frame x 1</p> 	<p>E: M8 Knob screws x 8</p> 	<p>F: Impact golf screen material x 1</p> 
<p>G: Top Enclosure Cover x 1</p> 	<p>H: Left Enclosure Cover x 1</p> 	<p>I: Right Enclosure Cover x 1</p> 
<p>J: Ball Bungees x 6 ※ 2pcs with short cord</p> 	<p>K: Velcro Strips x 12</p> 	<p>L: Protection sheet x 1</p> 
<p>M. Gloves x 2</p> 	<p>O. Protection Cover x 1</p> 	<p>P. Padding x 4 (2x short / 2x long)</p> 

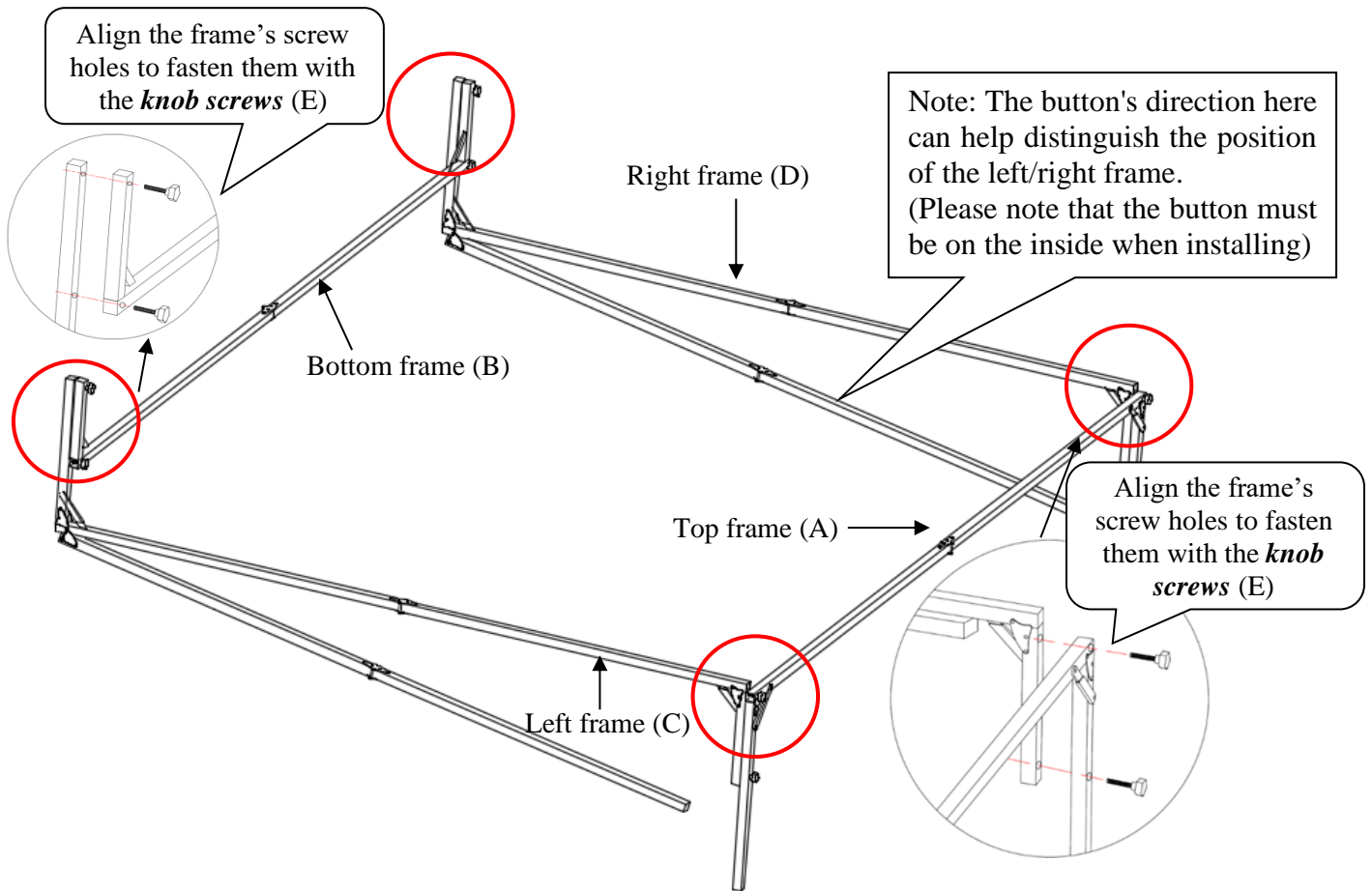
Note: Before assembling the screen, make sure all the above components are included.

Assembly diagram



Frame assembly

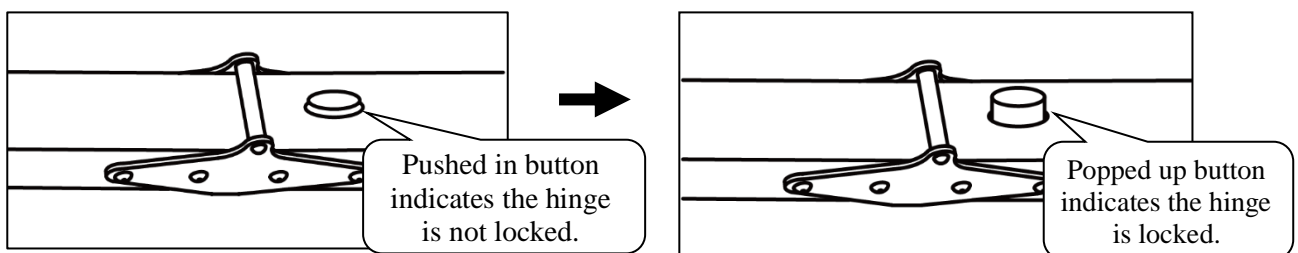
1. Take the frames out of the carrying bag, unfold and place them on the *protection sheet* (L) as shown below.



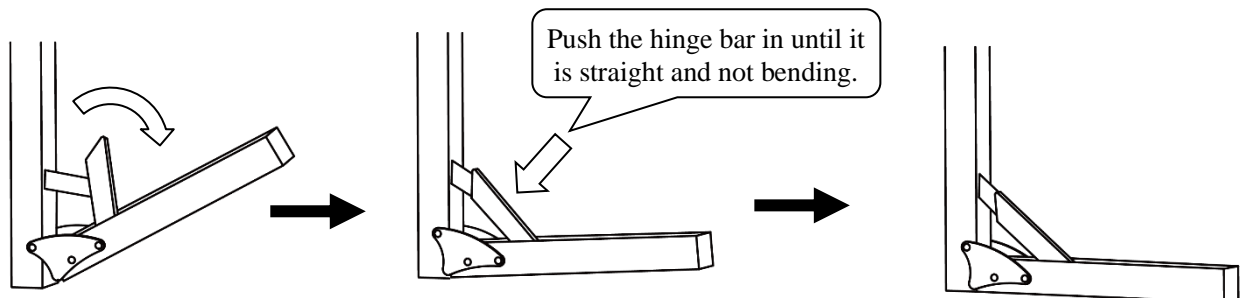
2. Fasten the frame pieces together at all four locations as shown above using the *knob screws* (E).

LOCK CENTER JOINTS AND CORNER HINGES

- **Center Joints:** Unfold the frame until the latch on the hinge “clicks” into place.
TIP: Gently lift the frame to ensure the hinge is locked (button pops up).



- **Corner Hinges:** Unfold the frame’s corner hinges until they “click” into place.



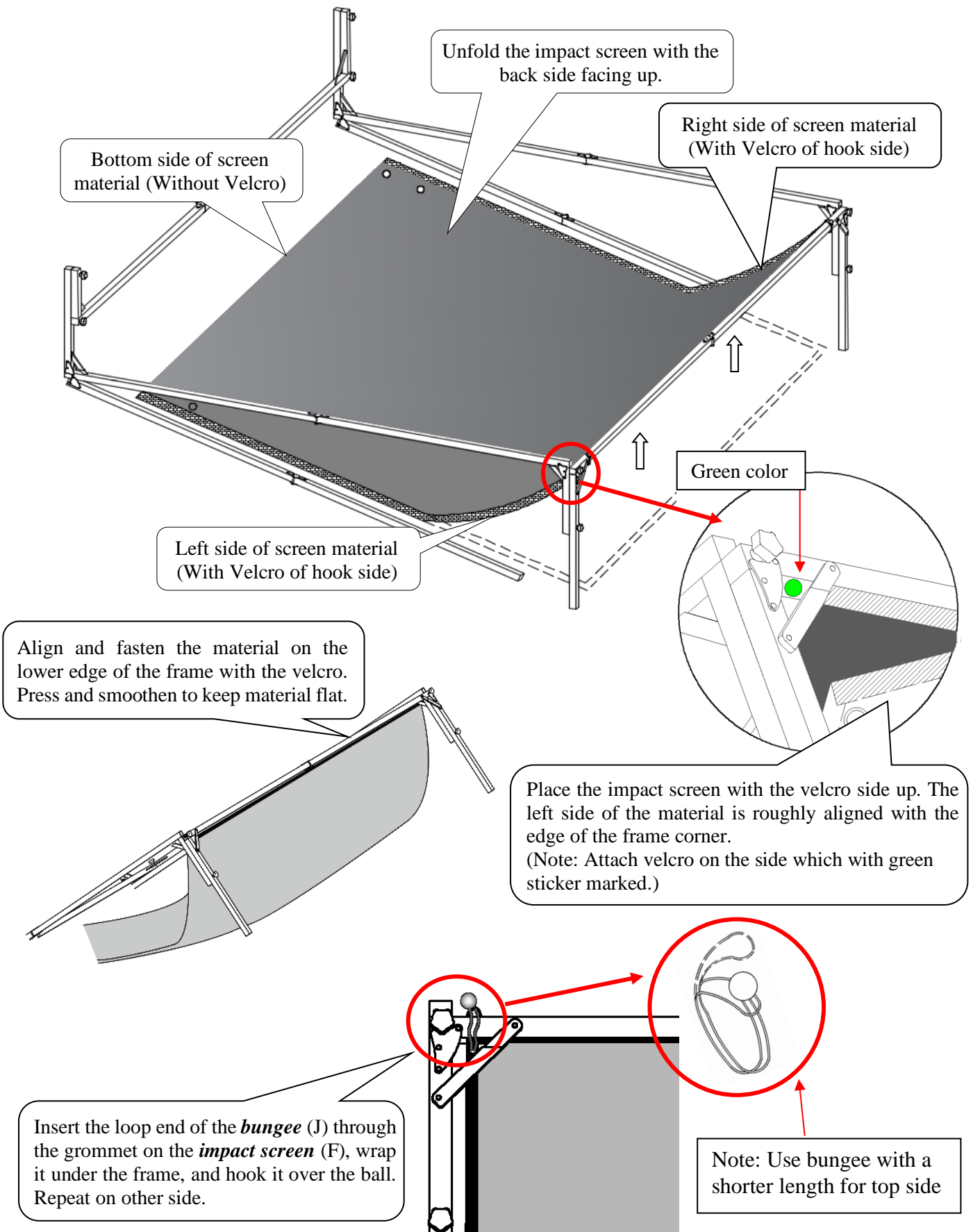
CAUTION: BE AWARE OF PINCH POINTS.

Impact Screen, Left/Right/Top Enclosure Cover Assembly

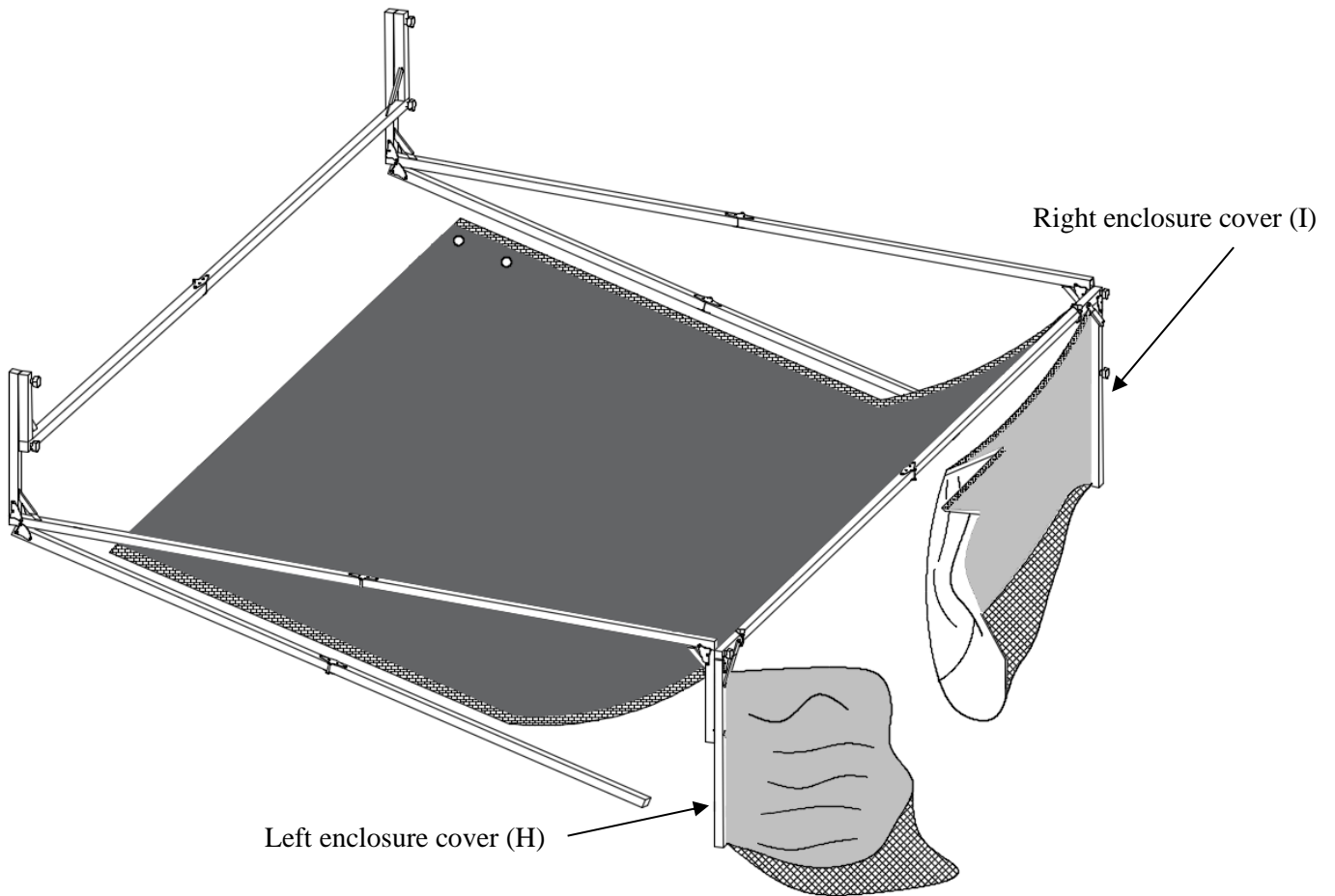
1. Please follow the instructions below to place the *impact screen* (F) with the backside facing up before assembly commences.

Note: The impact screen has Velcro (soft fuzzy side) on Top edge. This is the backside of the impact screen.

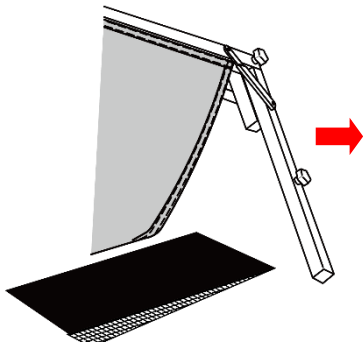
2. Put on the *white gloves* (M) and attach the *Impact screen* (F) to the velcro strips on the frame.



1. **Left (H)** and **Right (I)** side enclosure cover assembly.

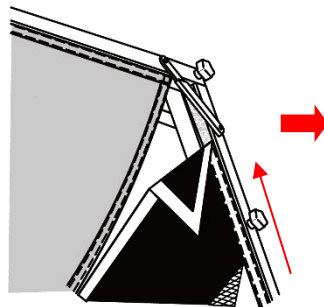


1. Prepare the enclosure covers for attachment to the frame by identifying the front and back.

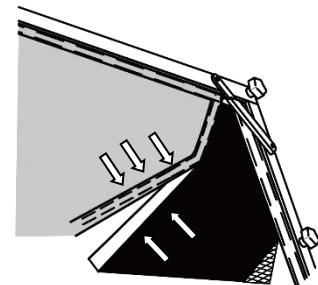


Note: The black side faces in, and the silver side faces out.

2. Aligned velcro the enclosure cover to the inside of the small side frame from bottom to top.

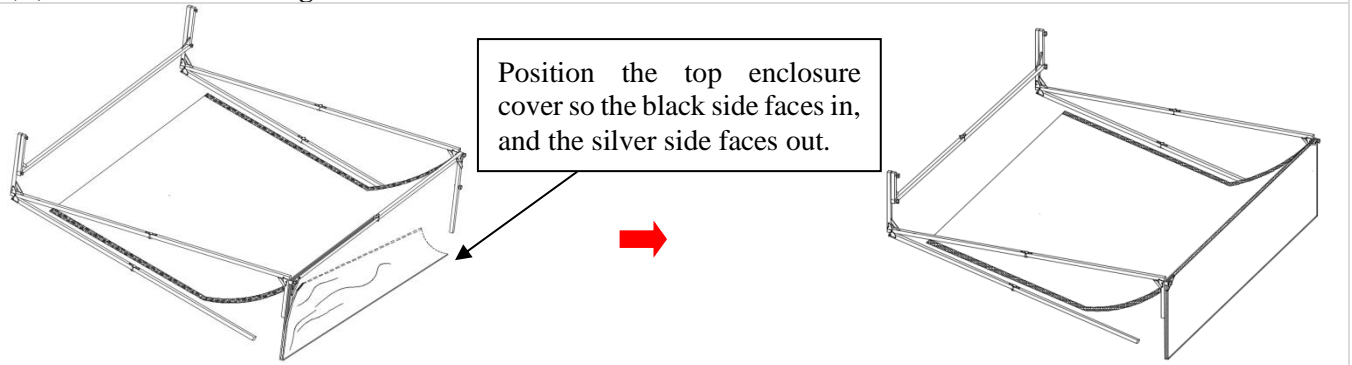


3. Velcro the enclosure cover and impact material together after aligning their edges.

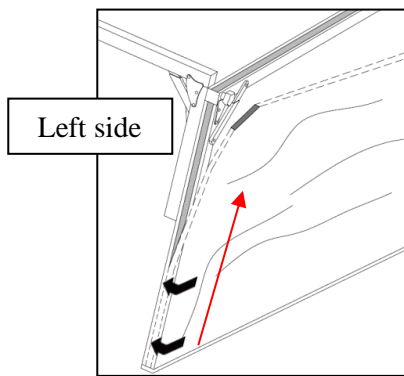


3. Top enclosure cover (G) assembly.

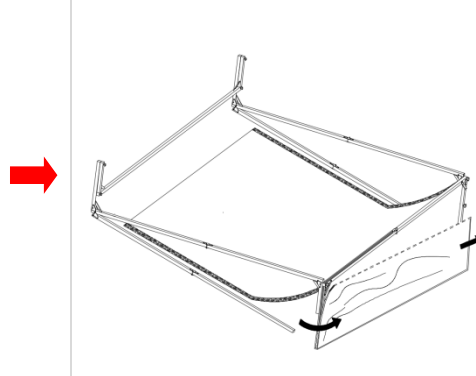
(A) Attach Left and Right sides



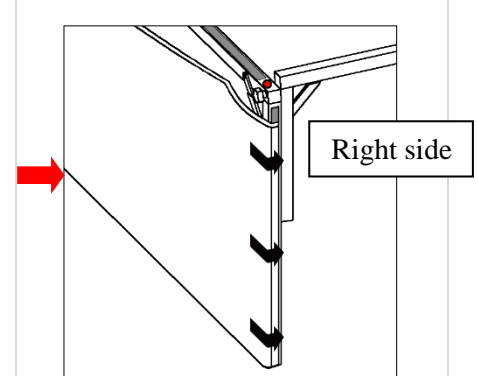
Align and velcro the enclosure cover to the outer side of the small side frame from bottom to top.



Stretch the enclosure cover to reach the right side.

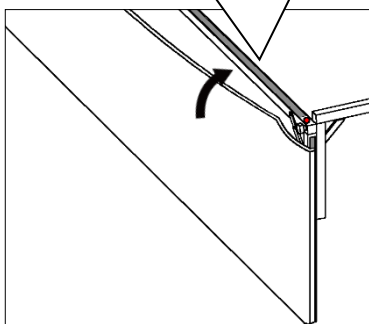


Pull the enclosure cover tightly and velcro it to the outer side of the frame.

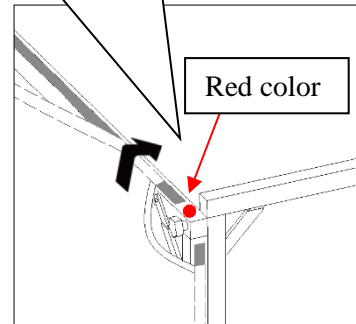


(B) Attach Top side

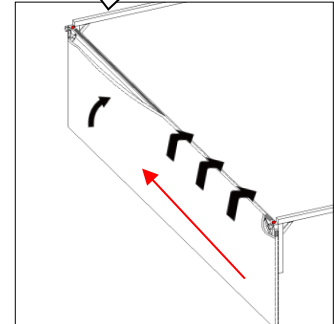
Velcro the enclosure cover to the back of the frame.



Note: Attach velcro on the side which with red sticker marked.



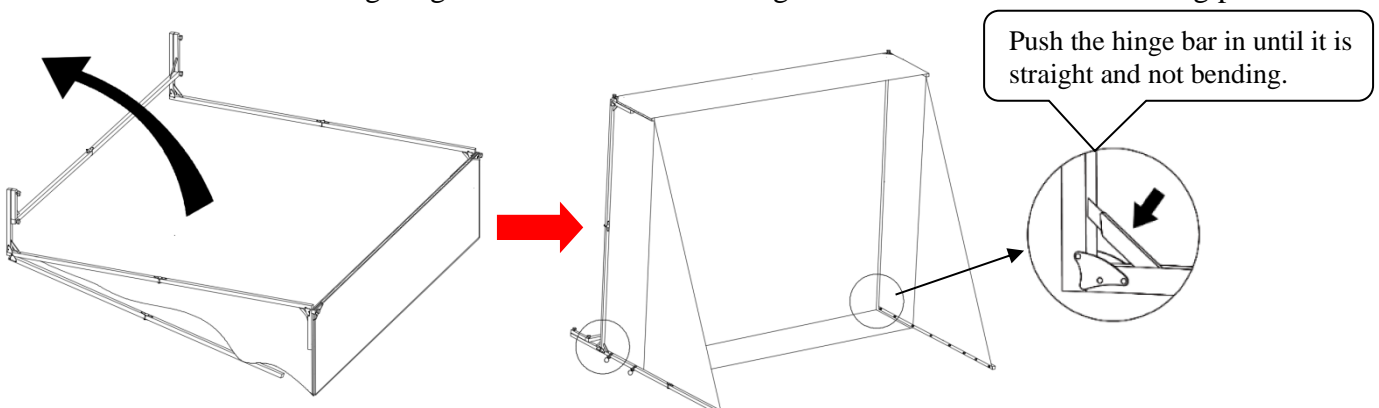
Attachment complete.



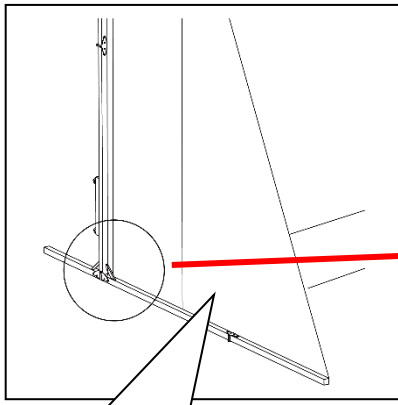
Attach Impact Screen and Top/Right/Left enclosure panels

1. Lift the frame gently with the help of two people.

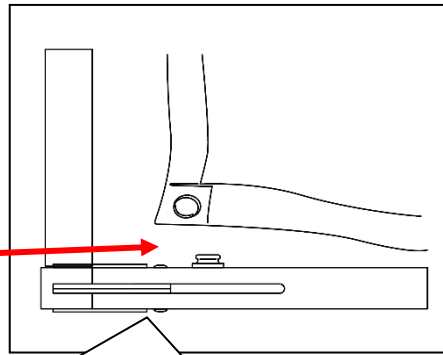
CAUTION: Make sure all leg hinges are locked before lifting the assembled frame to standing position.



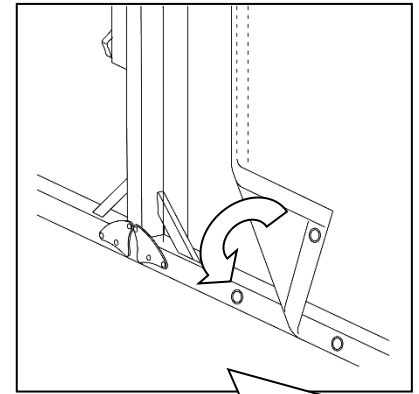
2. Attach the **Left/Right enclosure cover** (H / I) to secure on the bottom of the frame legs.



Left enclosure cover (H)



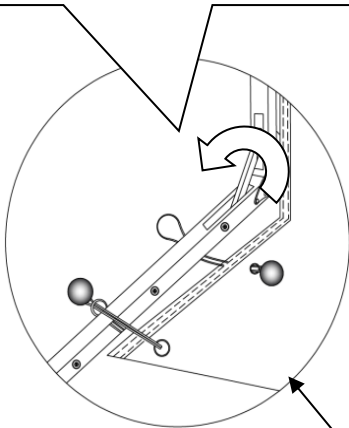
Snap the bottom of the enclosure cover to the press stud on the inner side of the frame.



Repeat the same procedure for the Right enclosure cover (I).

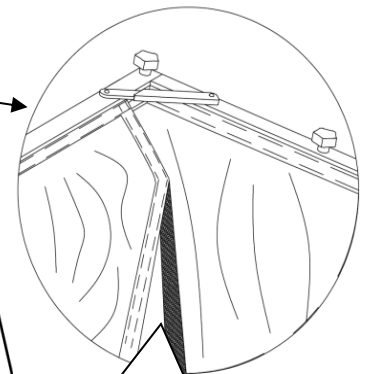
3. Install **Ball Bungees** (J) and attach the **Impact screen** (F) to the enclosure covers.

Insert the loop end of the **bungee** (J) through the grommet on the **Impact screen** (F), wrap it under the frame leg, and hook it over the ball. Repeat on other side.

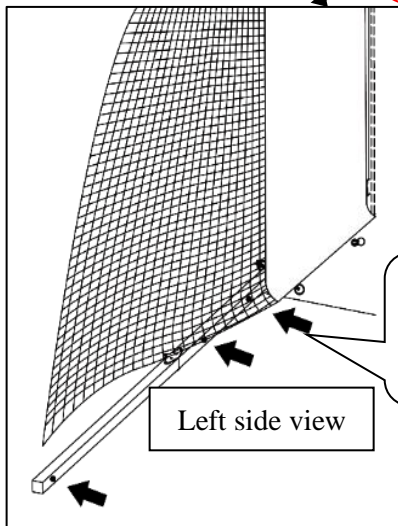


Left leg

Right side view



Velcro together the impact screen and enclosure cover from top to bottom. Repeat on left side.



Left side view

Finish attaching the net part of the enclosure cover by snapping it to the press studs on the legs. Repeat on other side.

Upper Frame Padding Installation

ATTN: Start the installation on the inner left side of the enclosure as shown in the illustration.

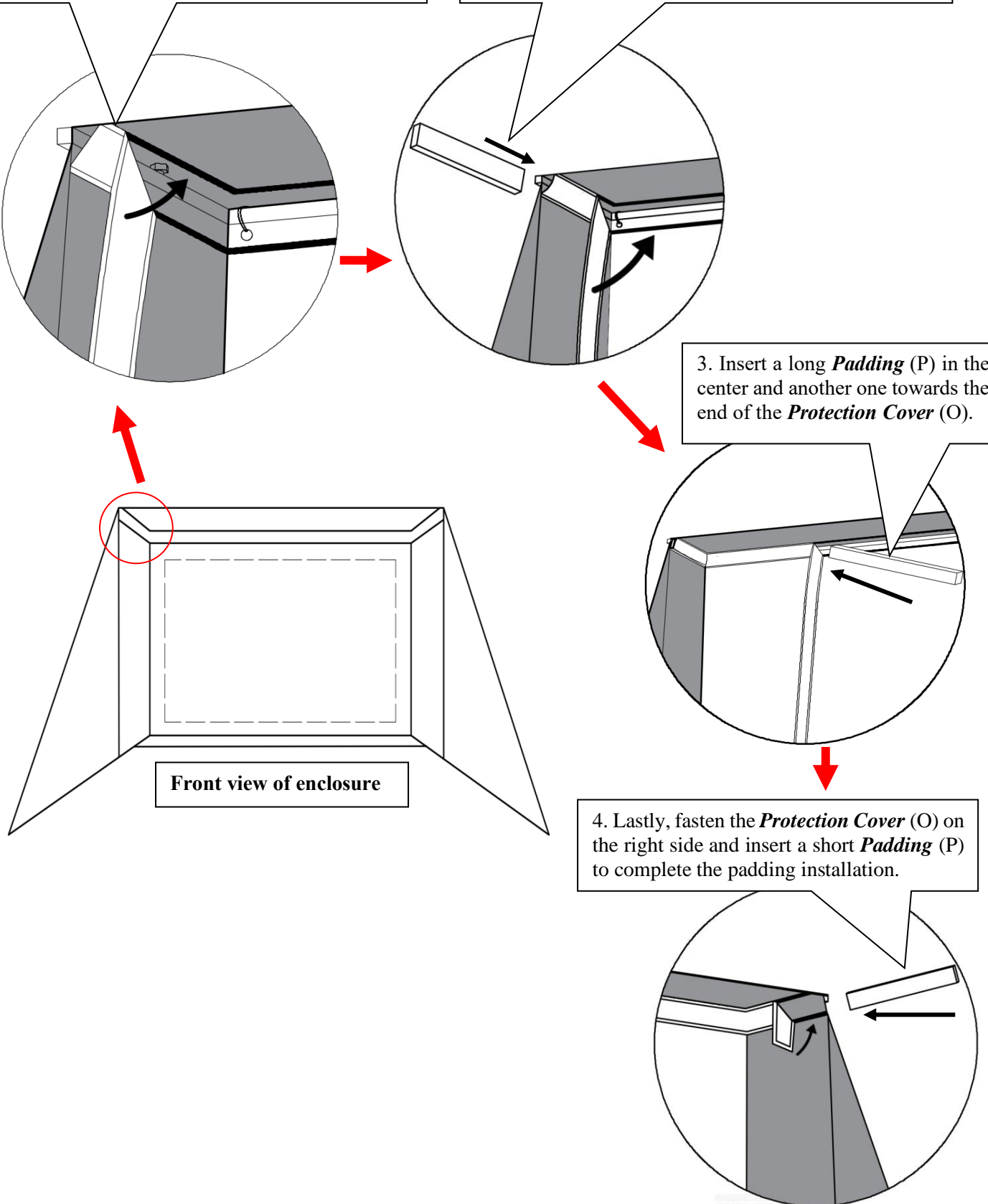
1. Fasten the **Protection Cover** (O) between the **Left Enclosure Cover** (H) and the **Top Enclosure Cover** (G) with the Velcro strips.

2. After the **Protection Cover** (O) has been fastened insert a short **Padding** (P) on the left side and continue to attach the **Protection Cover** (O) from the left to right.

3. Insert a long **Padding** (P) in the center and another one towards the end of the **Protection Cover** (O).

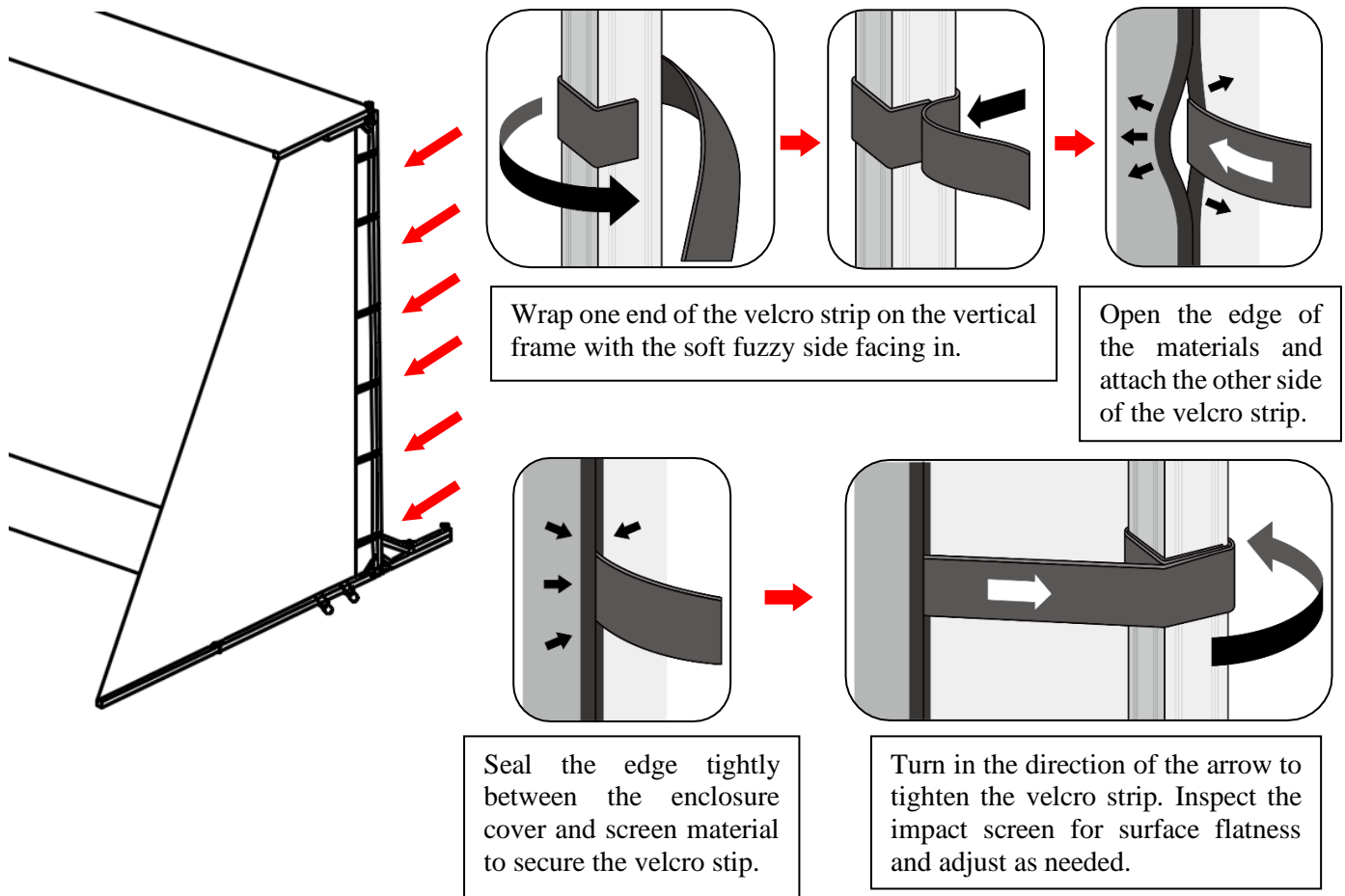
4. Lastly, fasten the **Protection Cover** (O) on the right side and insert a short **Padding** (P) to complete the padding installation.

Front view of enclosure

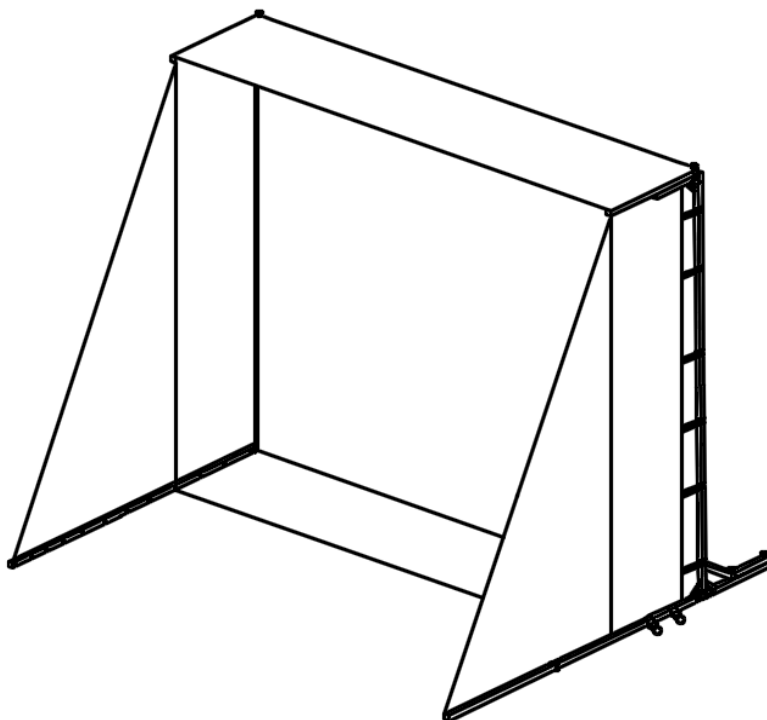


Impact screen surface tension and flatness adjustment

Wrap tie six *Velcro strips* (K) on each vertical side frame evenly as instructed below to pull the impact screen material to tension it.

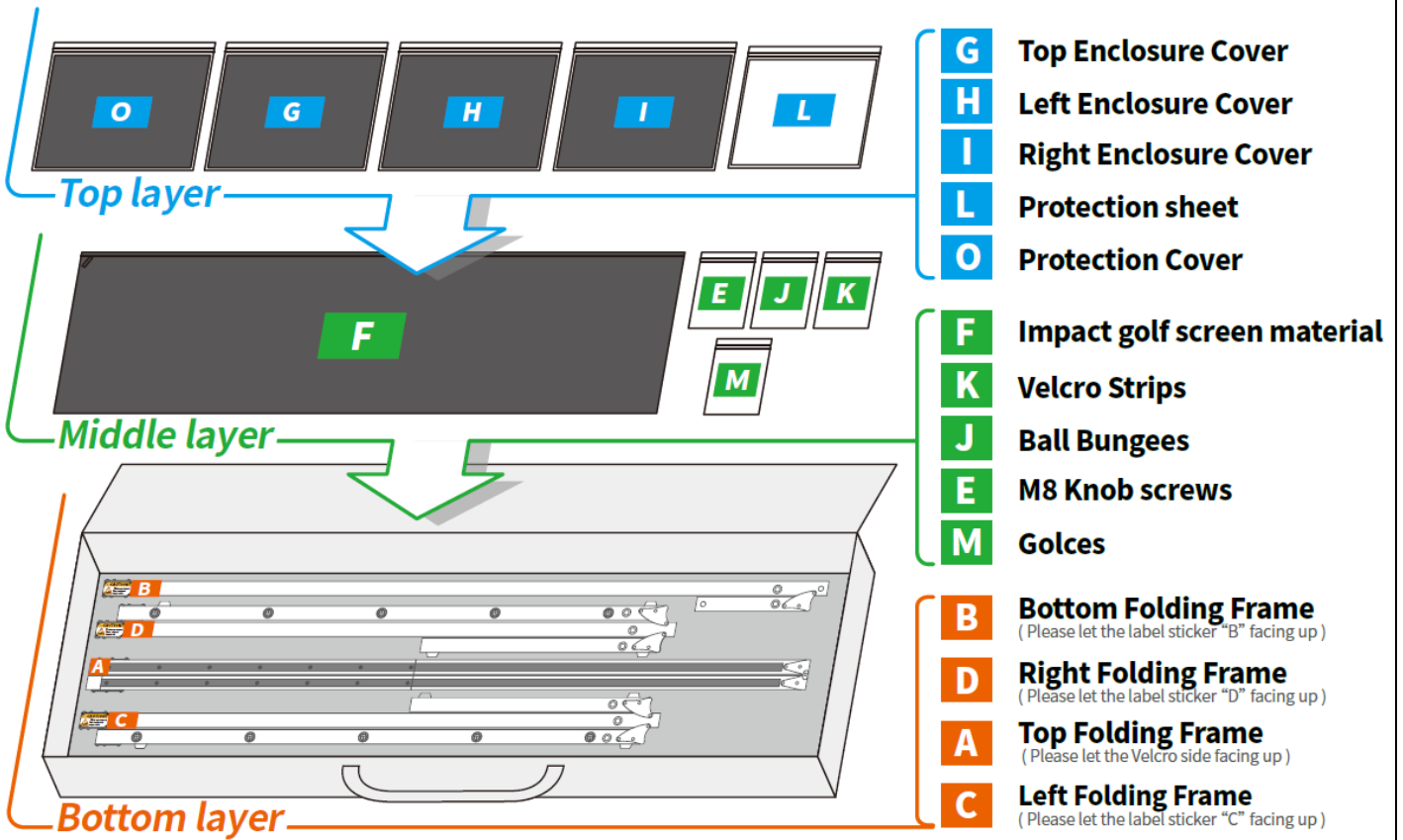


Finished!



Disassembly and repacking into the carrying bag

Reverse the installation process to disassemble the Golf Portable Pro.
Pack the items back into the carrying bag as shown in the layout diagram below.



For local Elite ProAV contact or Technical Support, please visit
www.eliteproav.com