



# Golf Bay Pro Series

## Multi-Sport/Golf Simulation Impact Projector Screen

### User Guide & Assembly Instructions

V1.1

Visit [www.eliteproav.com](http://www.eliteproav.com) for the latest updated version.

**Product Description:** The *Golf Bay Pro Series* is an enclosed golf and sport simulator impact screen that utilizes our three-layer ImpactWhite® 1145. It includes a full frame assembly kit for permanent installation in dedicated spaces.

*Please read through this user guide before utilizing the screen. Correct usage and maintenance will ensure a long product life.*

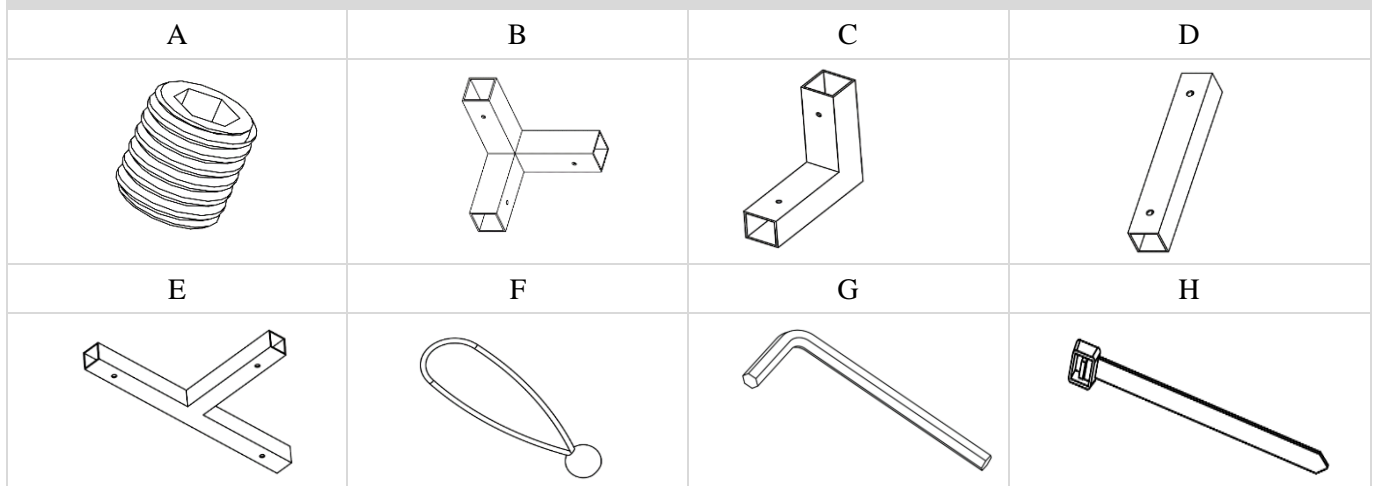
#### **ImpactWhite®1145 material tips and precautions**

- Handle with caution, material is subject to static electricity.
- Wear gloves and unroll the material on a clean surface.
- Make sure to use the correct side. The ImpactWhite® 1145 screen has a front and back side.
- Folding lines/wrinkles are normal due to the nature of the material structure and packaging but may be removed with a steamer and/or light ironing set to no higher than Polyester.
- Make sure to allow proper distance for swing range to protect children, pets, ceilings, walls, windows, or any other property.
- Dust, dirt and scratches on the projection surface will affect the picture quality, please take note of the points below to prevent that from occurring:
  1. Do not touch the projection surface with your hands.
  2. Do not write or draw on the projection surface.
  3. Do not point at the projection surface with your fingers or sharp objects; this will damage the screen material.
  4. Use a soft bristle brush or dry microfiber cloth to remove dust from the screen surface.
  5. Do NOT use any solutions, chemical cleaning agents, alcohol, or abrasive to clean the screen surface.
  6. When cleaning the projection surface, use a soft cloth dampened with warm water to remove any traces.
  7. Do NOT rub or apply pressure when cleaning the surface.

***We consider our impact screens a wearable item and the life of them will vary according to their use. Avoid using golf balls with scuffs or markings to maximize the life of the screen.***

***If possible, use new golf balls.***

### Hardware Parts List

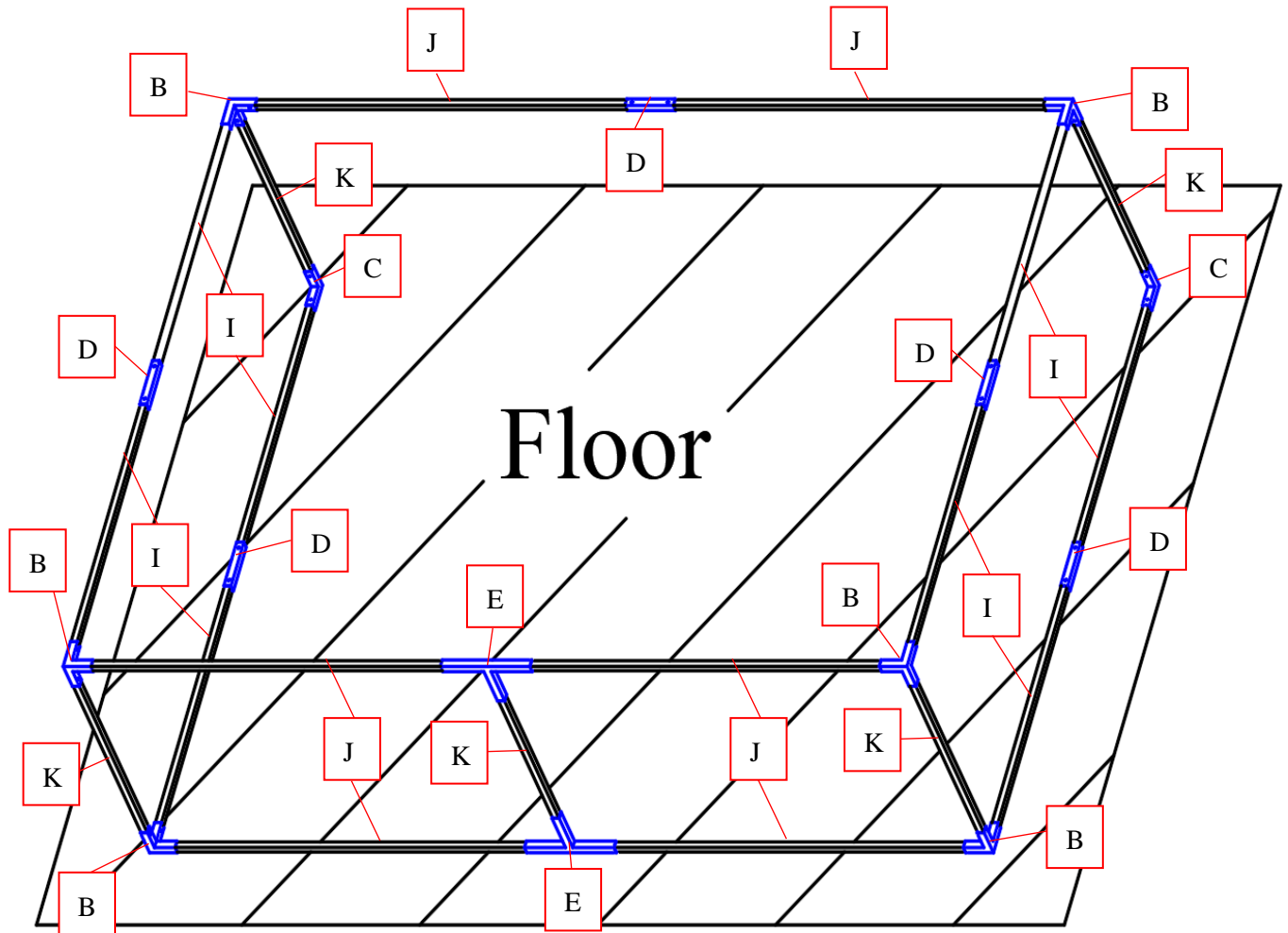


Item	Part List	GSB10x10	GSB13x10
A	M8 hex screw	38	38
B	Three-way corner connector	6	6
C	L-shaped connector	2	2
D	Straight connector	5	5
E	T-shaped connector	2	2
F	Ball bungee	55	59
G.	M8 Hex Wrench	2	2
H.	Cable tie	33	33
I	Vertical frame (30x30x1450mm)	8	8
J	Horizontal frame (30x30mm)	1480mm - 6pcs	1980mm - 6pcs
K	Inner frame (30x30x1180mm)	5	5
L	Foam tube-1450mm	4	4
M	Foam tube	1500mm-4pcs	2000mm-4pcs
N	Foam tube-1200mm	3	3

### Fabrics

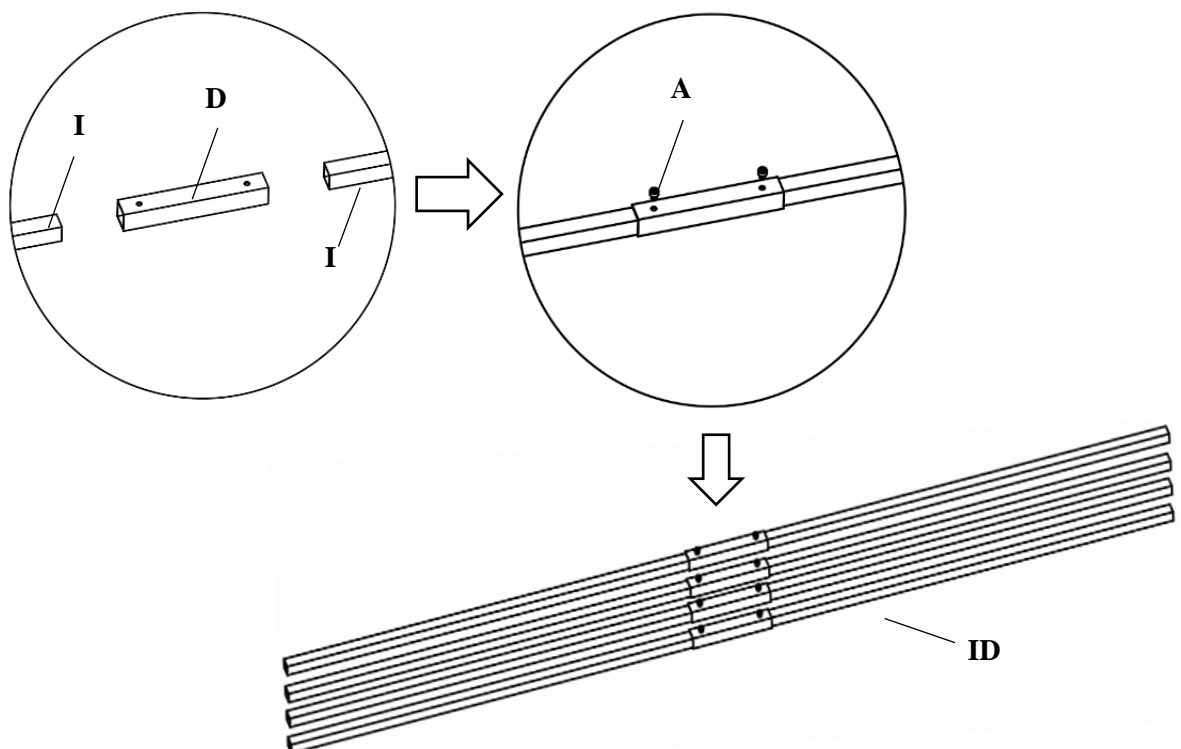
Item	Part List	GSB10x10	GSB13x10
a.	Golf screen	1	1
b.	Left side enclosure panel	1	1
c.	Right side enclosure panel	1	1
d.	Top enclosure panel	1	1
e.	Golf Screen top border panel	1	1
f.	Golf Screen side border panel	2	2
g.	Middle black backing panel	0	1
h.	Left/Right black backing panel	2	2

## Exploded Diagram

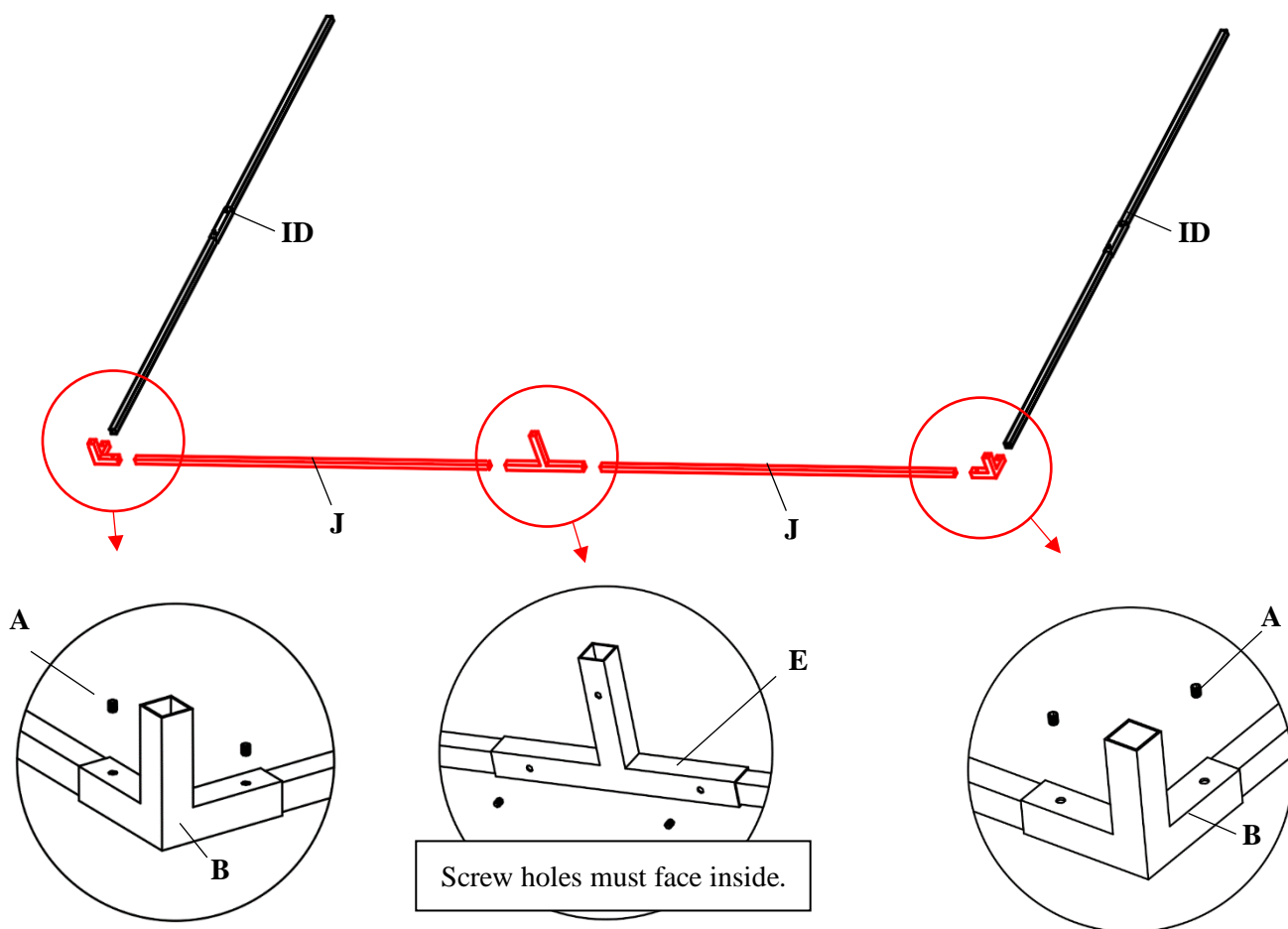


## Assembly Instructions

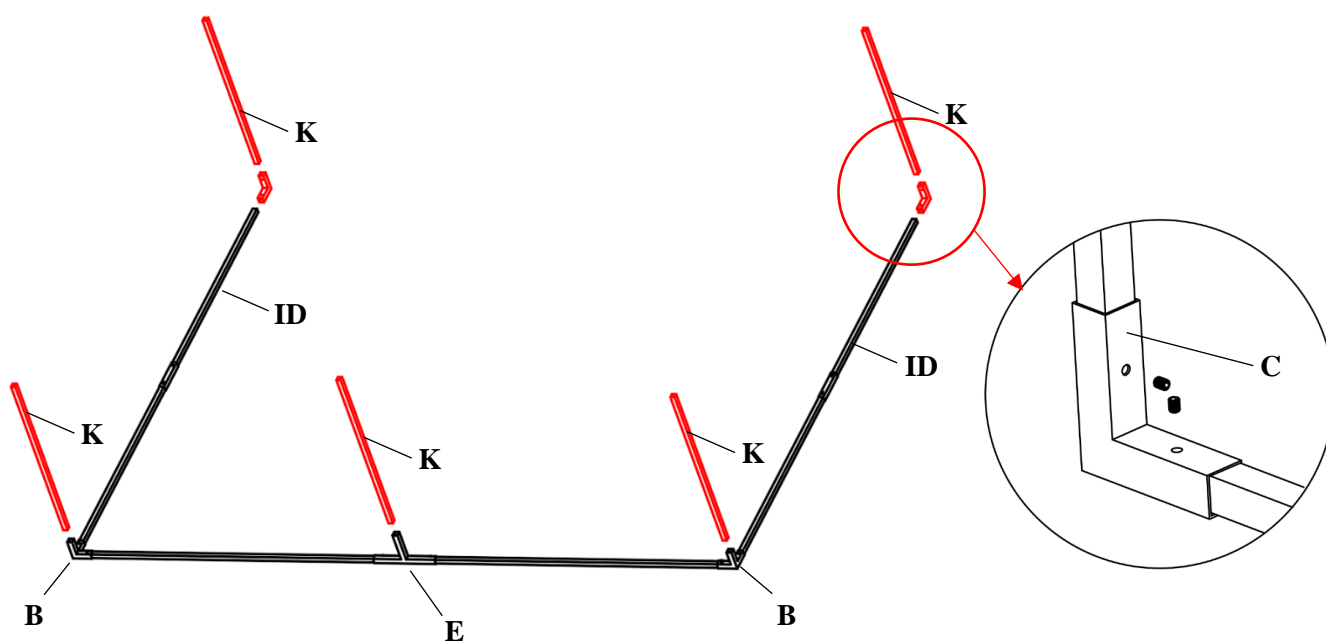
Step 1: Assemble all four *vertical support frames* (I) using the *straight connectors* (D) and fasten them using the *M8 Hex Wrench* (G) and *M8 hex screws* (A). We will refer to them as ID.



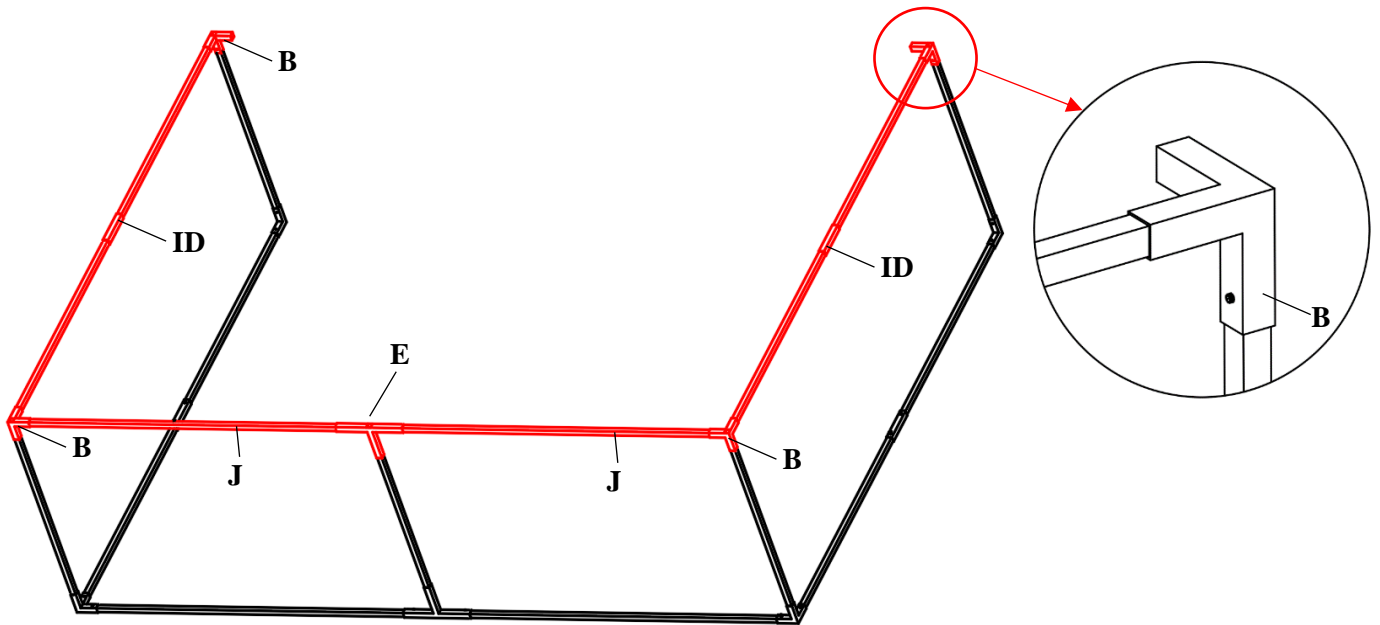
Step 2: Connect two *horizontal frames* (J) together using the *t-shaped connector* (E). Then attach two *three-way corner connectors* (B) at each end to join frames ID and J together as shown below. Fasten with *M8 Hex Wrench* (G) and *M8 hex screws* (A).



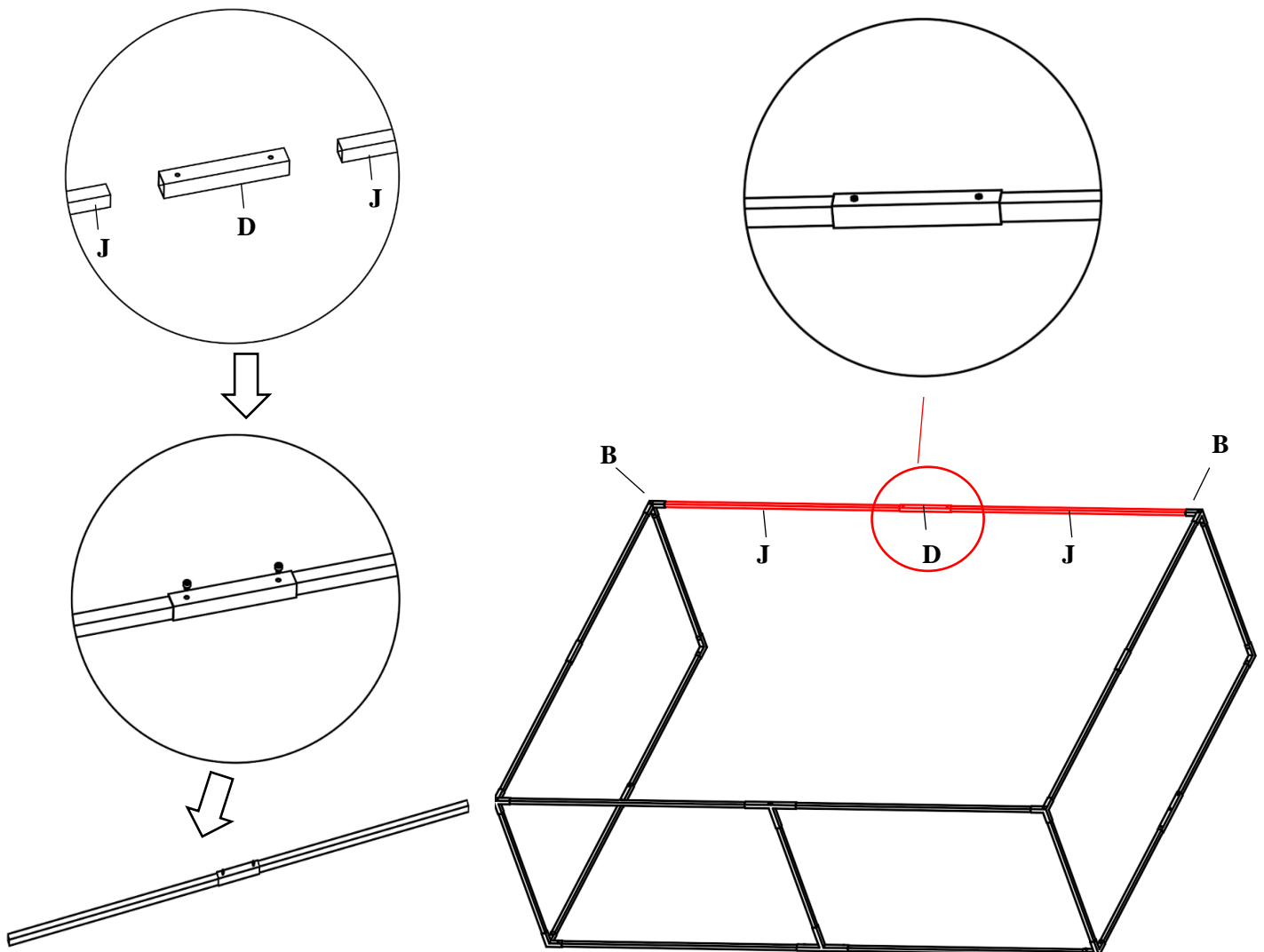
Step 3: Attach two *L-shaped connectors* (C) at the top of the *vertical frame* (ID) and attach all five *inner frames* (K) to connectors (C, B, E). Then fasten them with *M8 Hex Wrench* (G) and *M8 hex screws* (A).



Step 4. Attach a **three-way corner connector** (B) to **inner frame** (K) on all corners and attach a **vertical frame** (ID) Next, attach a **T-shaped connector** (E) to the center **inner frame** (K), attach **horizontal frame** (J) to B and E connectors and fasten with **M8 Hex Wrench** (G) and **M8 hex screws** (A).

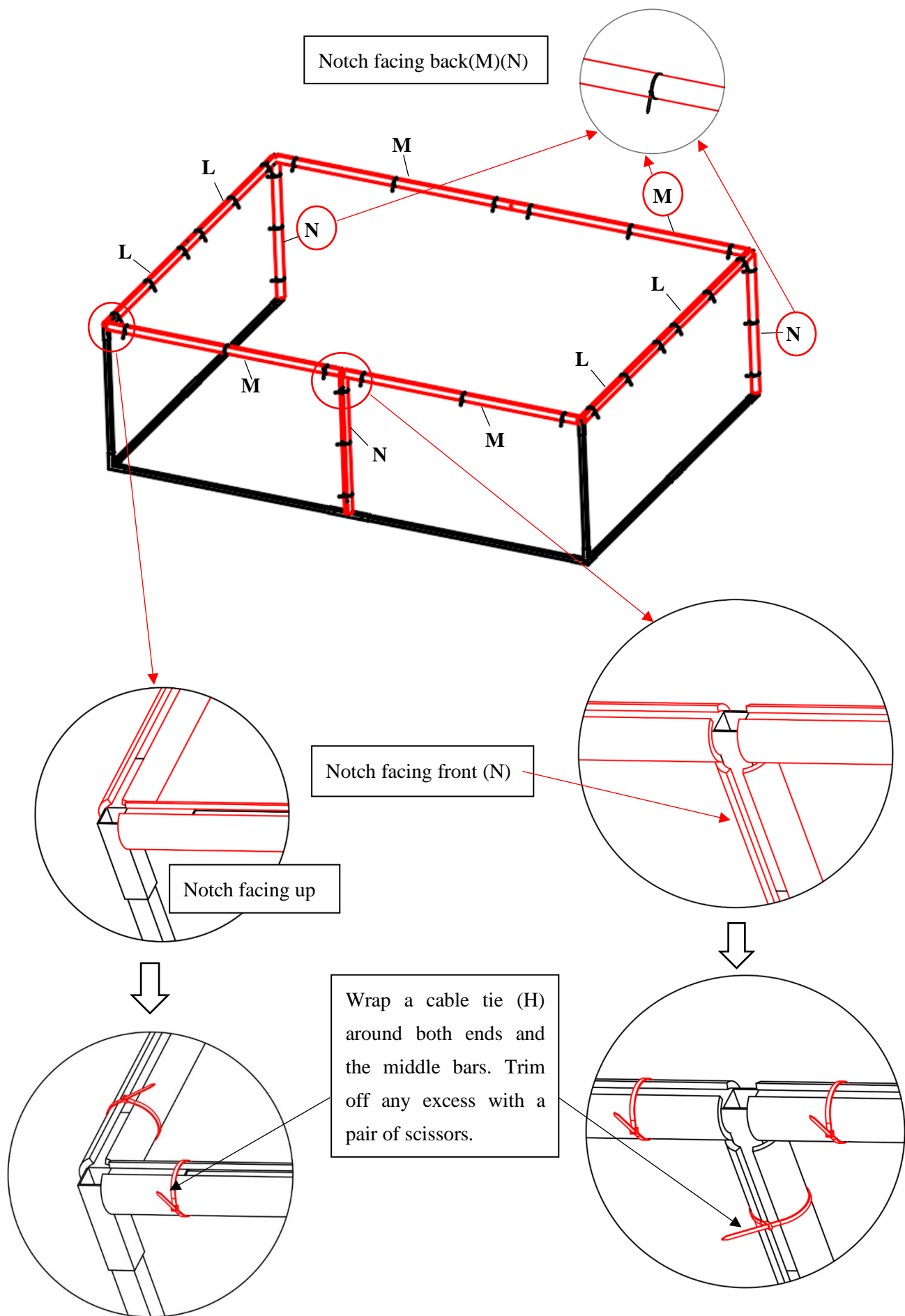


Step 5. Assemble the two **horizontal frames** (J) with the **straight connector** (D). Then attach it to the **three-way corner connector** (B) and fasten using the **M8 Hex Wrench** (G) and **M8 hex screws** (A).



## Foam tube application

Step 6. Use cable tie(H) to secure the foam tube(L)(M)(N) to the frame

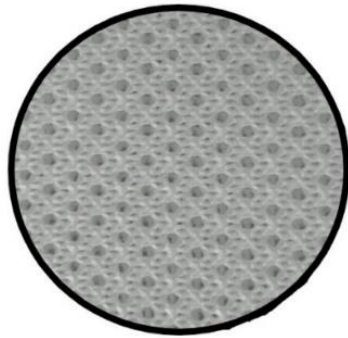


## Golf Screen Installation

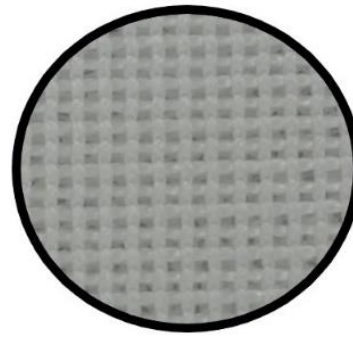
Step 7. Preparing to hang the golf screen on the frame.

7-1. Distinguishing the front and back side first.

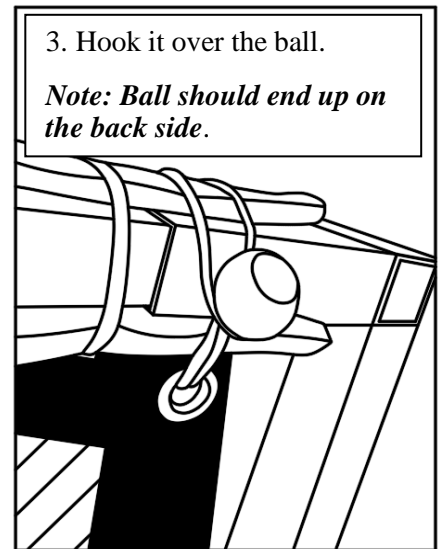
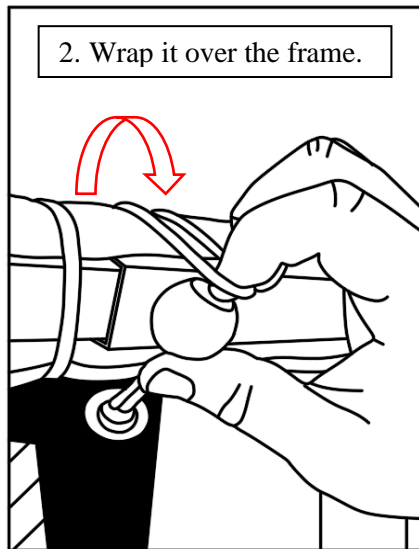
Projection (Front) Side



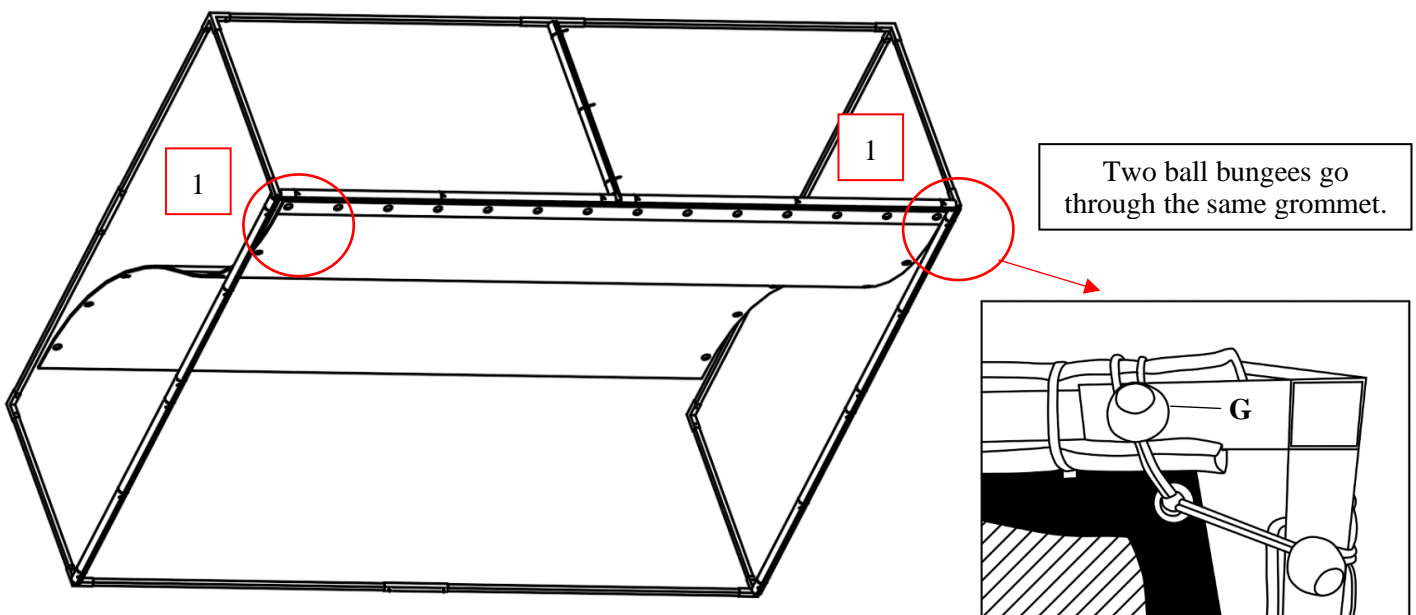
Back Side



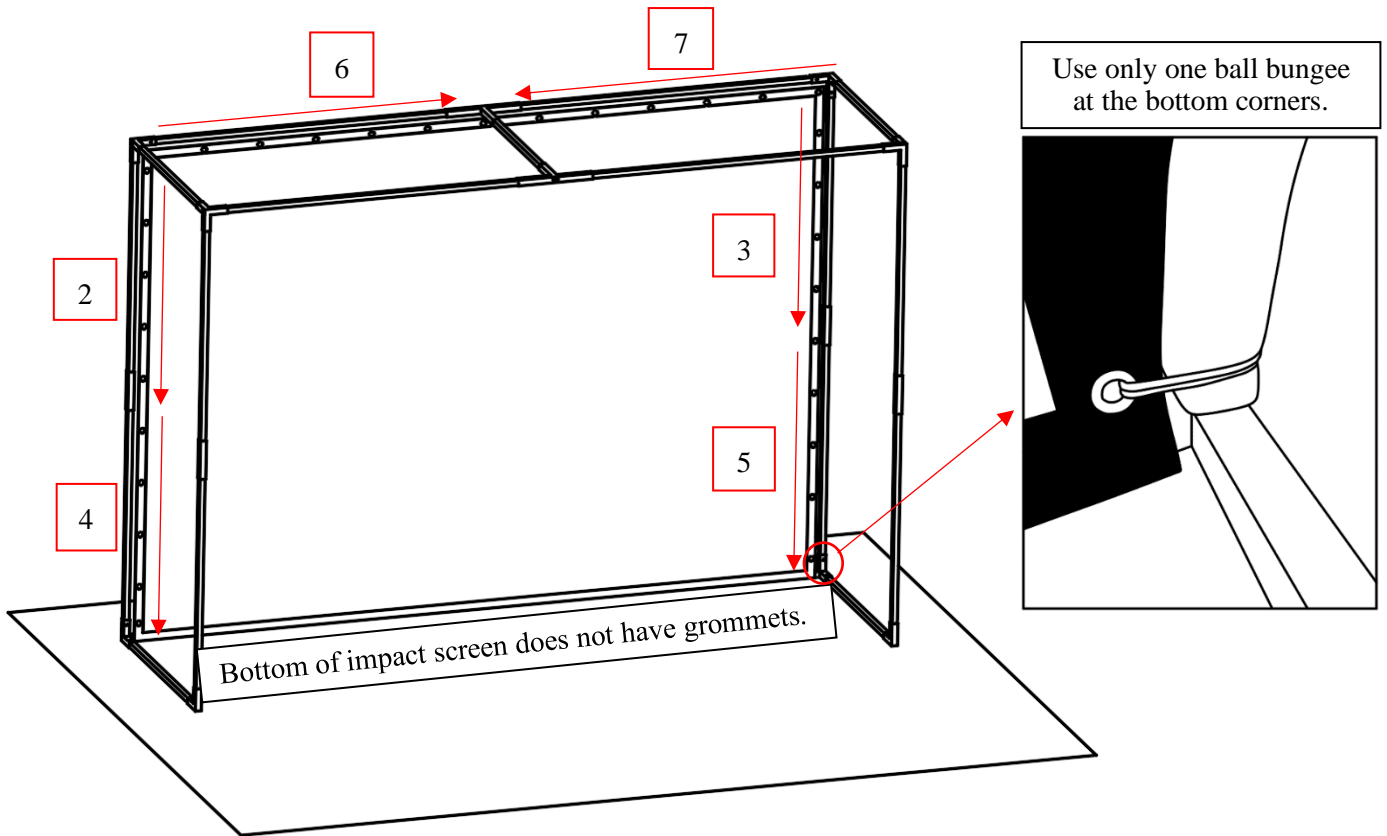
7-2. Using the *ball bungees* (F)



7-3. Fasten the two top corners first. Use two ball bungees in each corner.



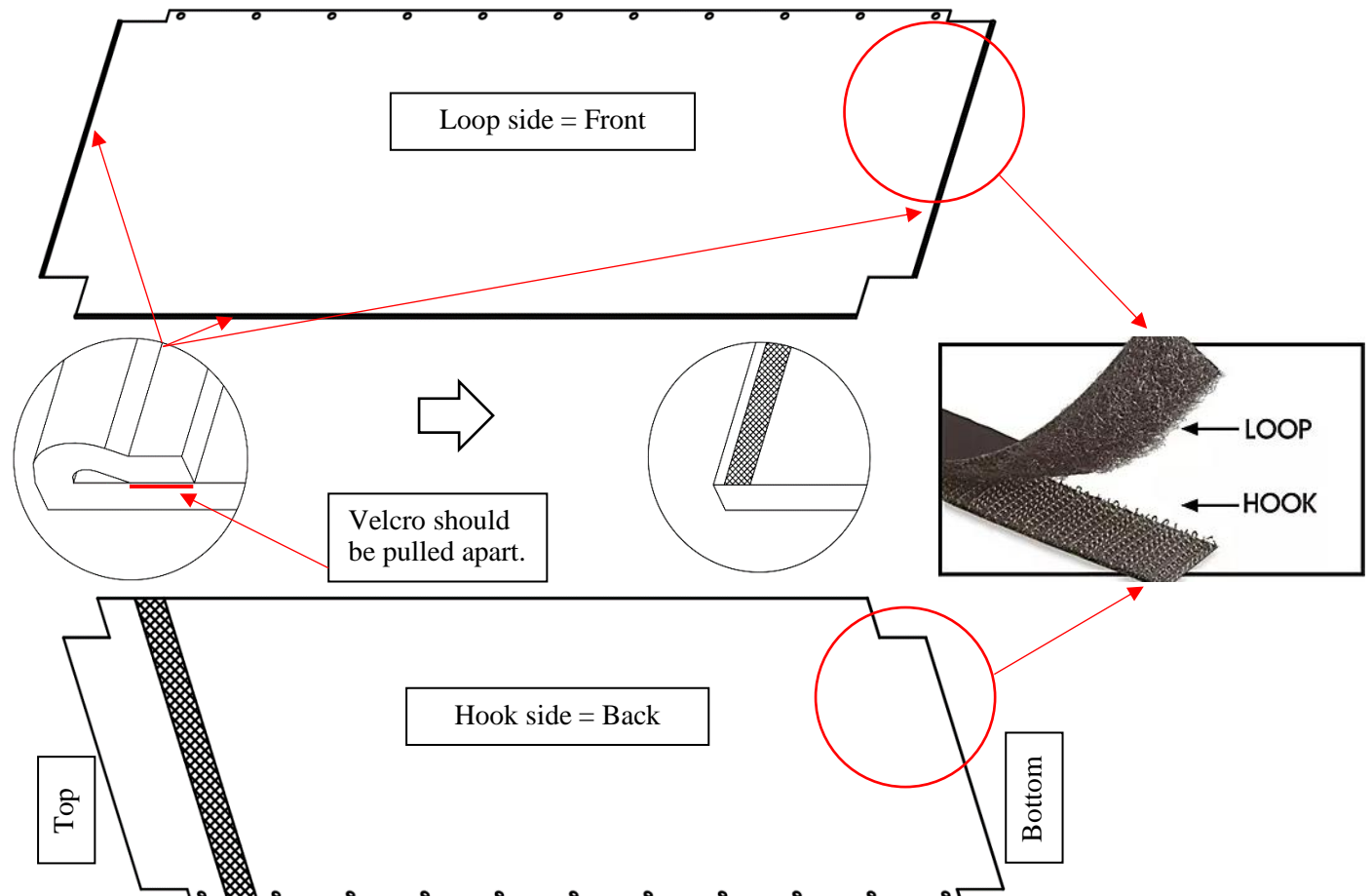
Step 8. Lift and stand up the frame. Continue attaching the Golf screen to the frame in the following order.



### Enclosure panels installation

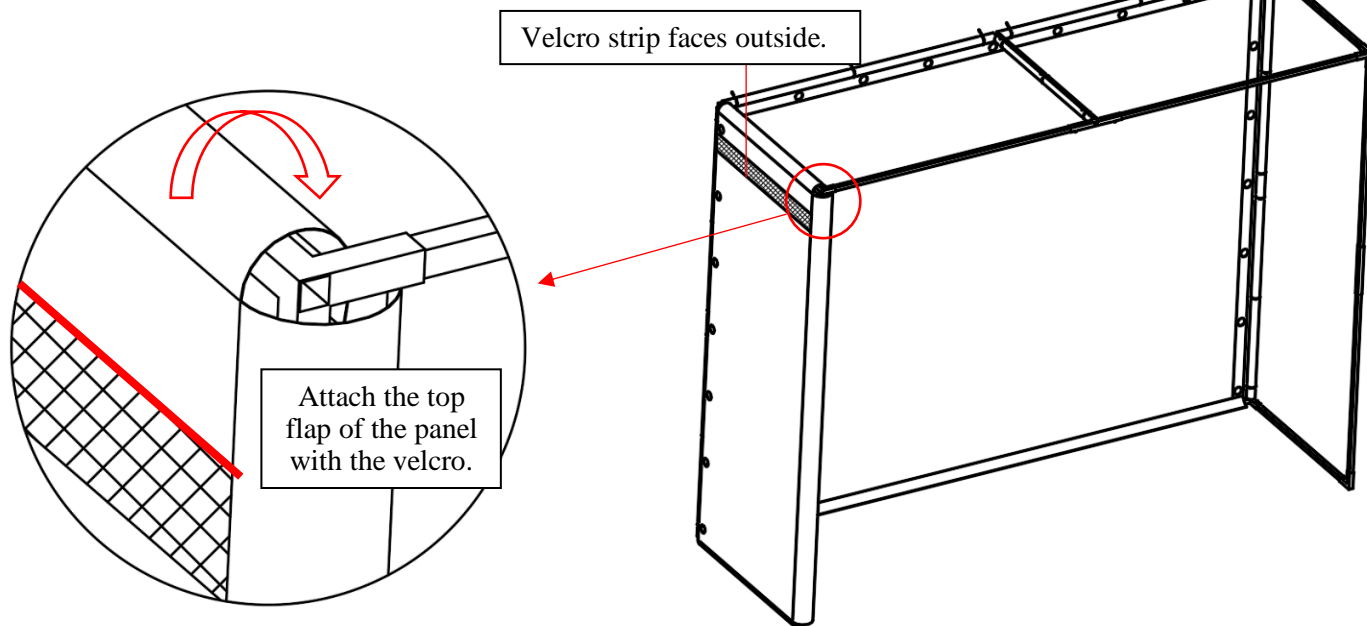
#### Step 9. Left and Right Enclosure panels

9-1. Distinguish the front side and back sides. The front has the loop (fuzzy) and the back has the hook (rough).

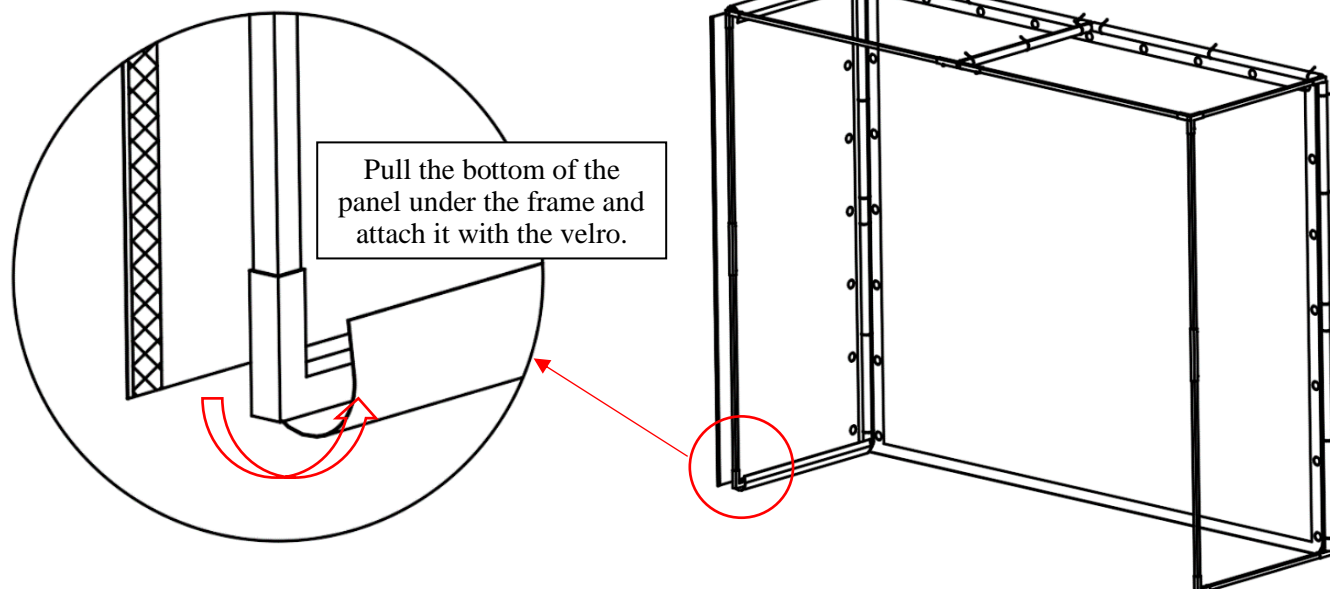




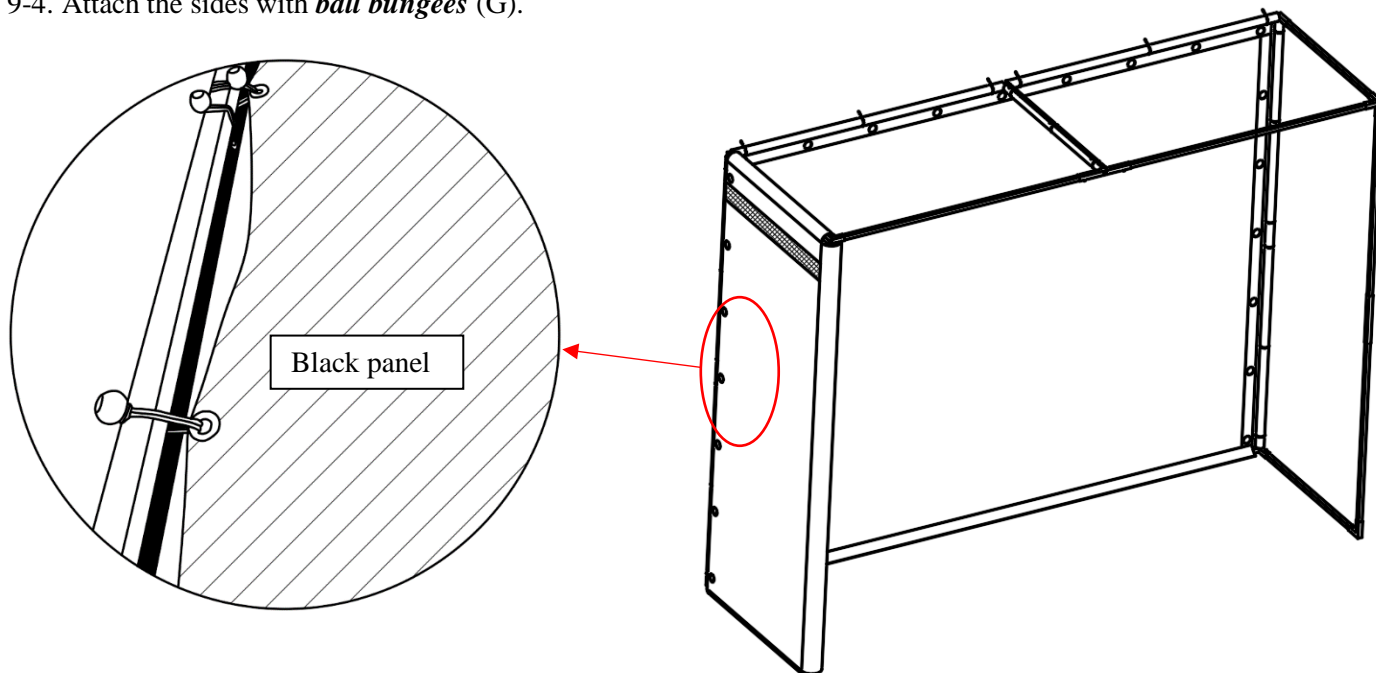
9-2 Attach the top of the panel first. Assure a tight and taut finish.



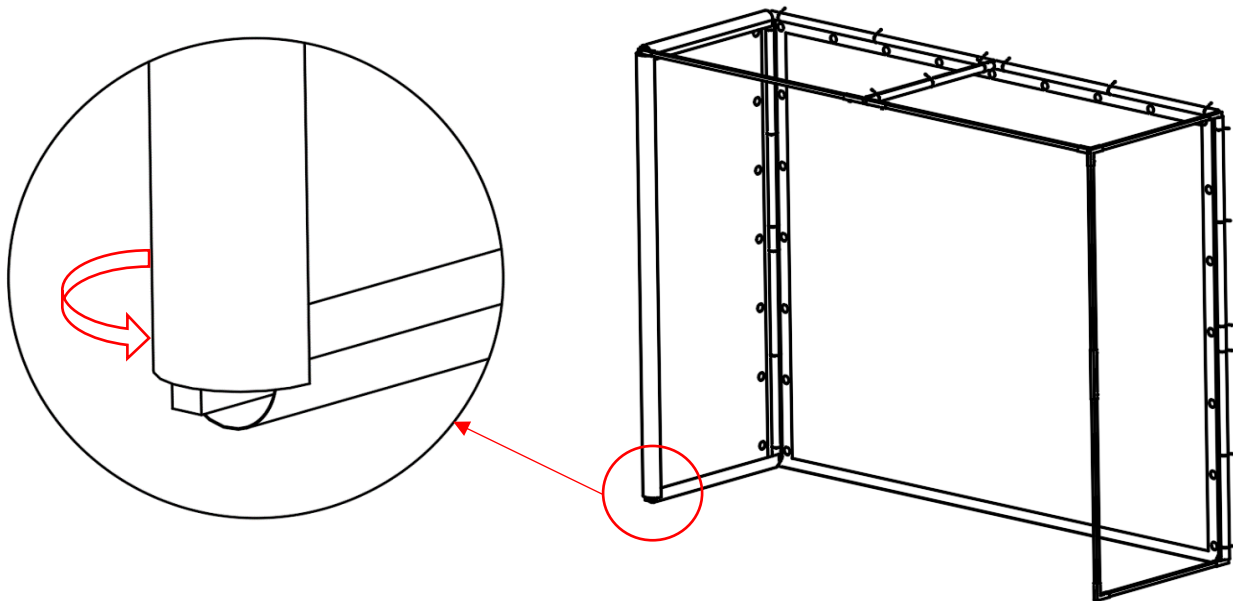
9-3. Attach the bottom side. Assure a tight and taut finish.



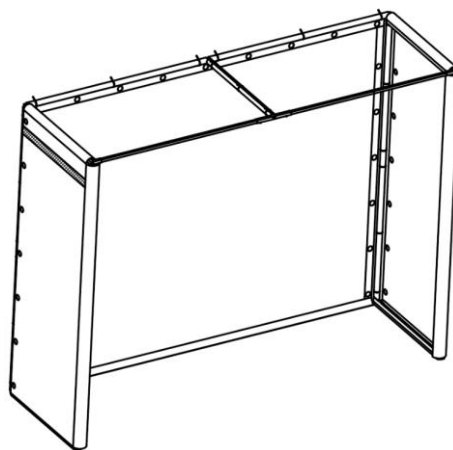
9-4. Attach the sides with *ball bungees* (G).



9-5 Lastly, attach the edge with velcro.

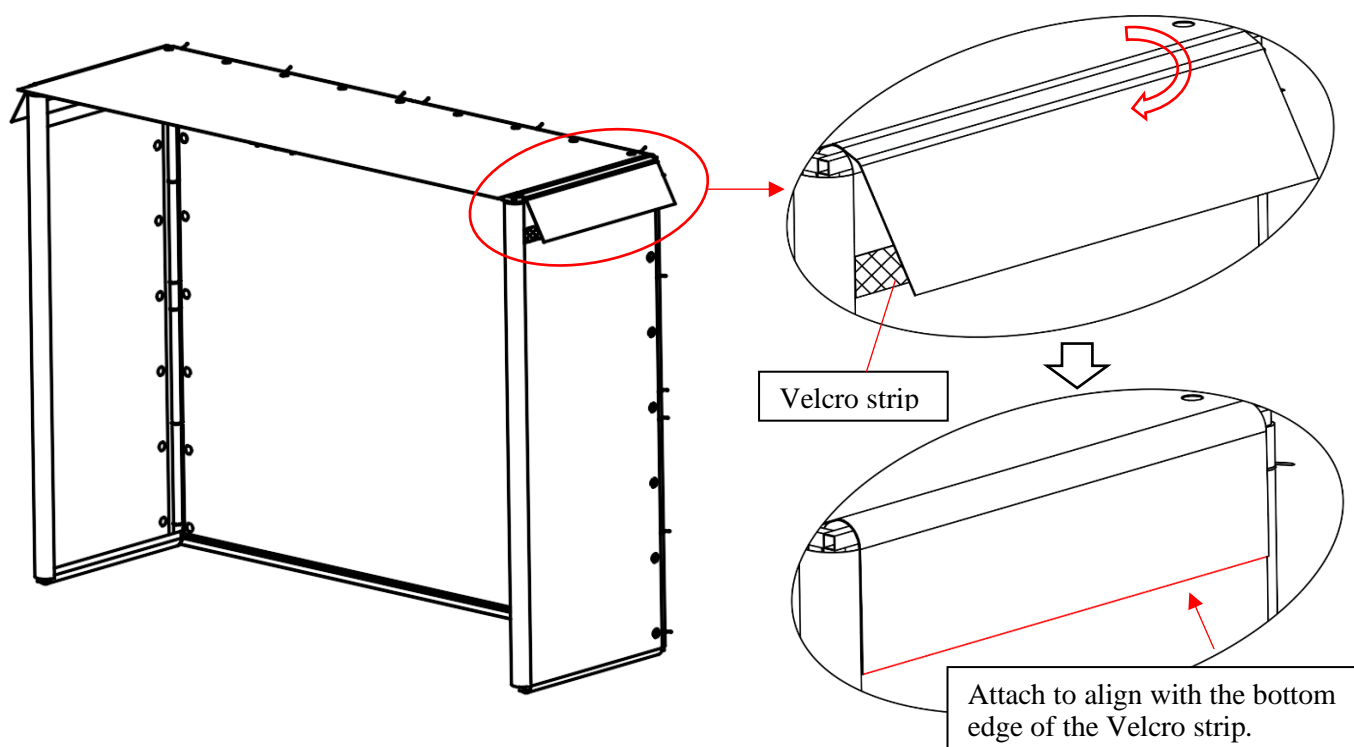


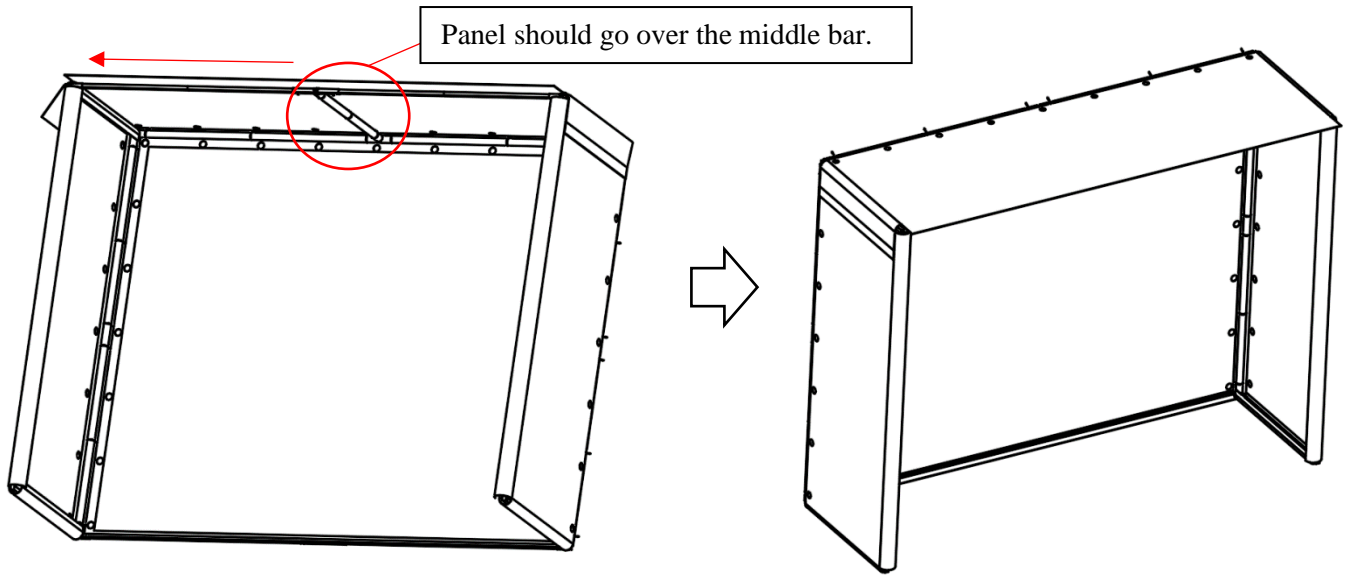
9-6. Repeat step 9-1 ~ 9-4 for the other side.



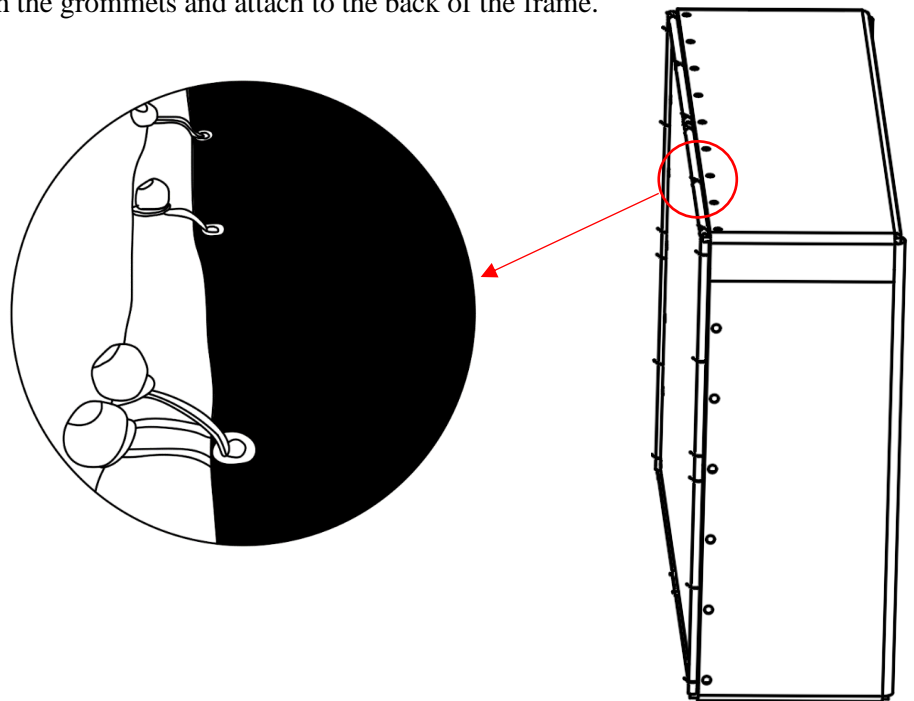
### Step10. Top enclosure panel

10-1. Hang the *top panel* (d), pull it tightly and attach it to the Velcro strip on each side panel.

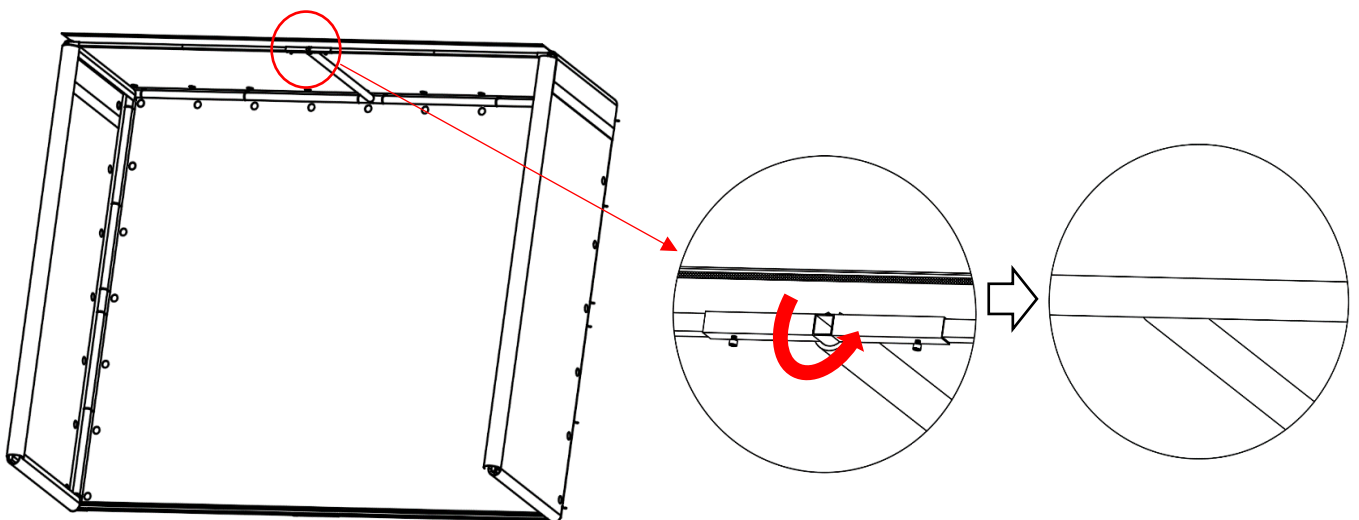




10-2. Insert the **ball bungees** (G) through the grommets and attach to the back of the frame.



10-3. Loop the front velcro over the frame bar to attach it.

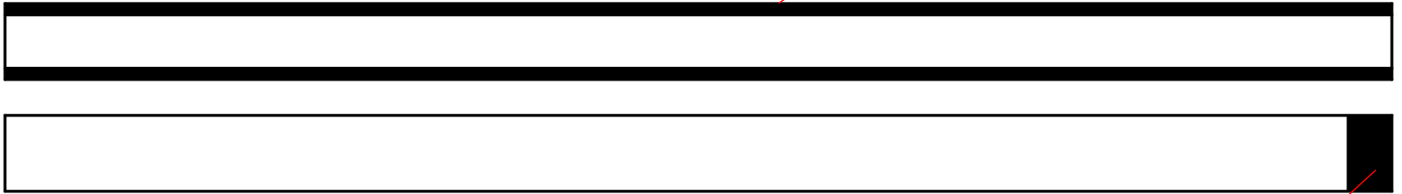


### Golf Screen side border panels

Step 11. Attach the *side border panels* (e/f) on both sides of the golf screen.

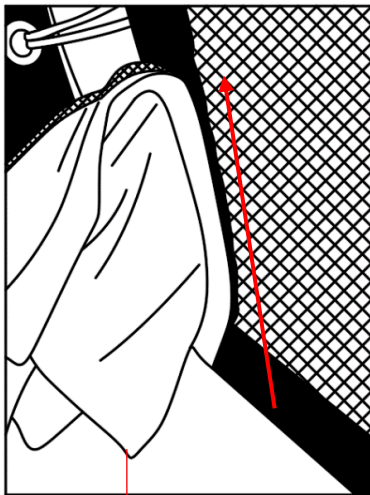
Distinguish between inner and outer side.

Side with two Velcro strips is the inner side.

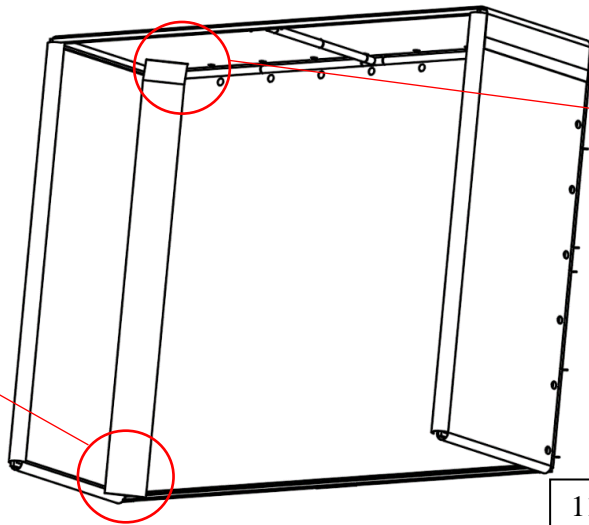


11-1. Attach the side border panel from bottom to top on the edge of the golf screen with the velcro.

Velcro side face up is the outer side.



Side cover panel



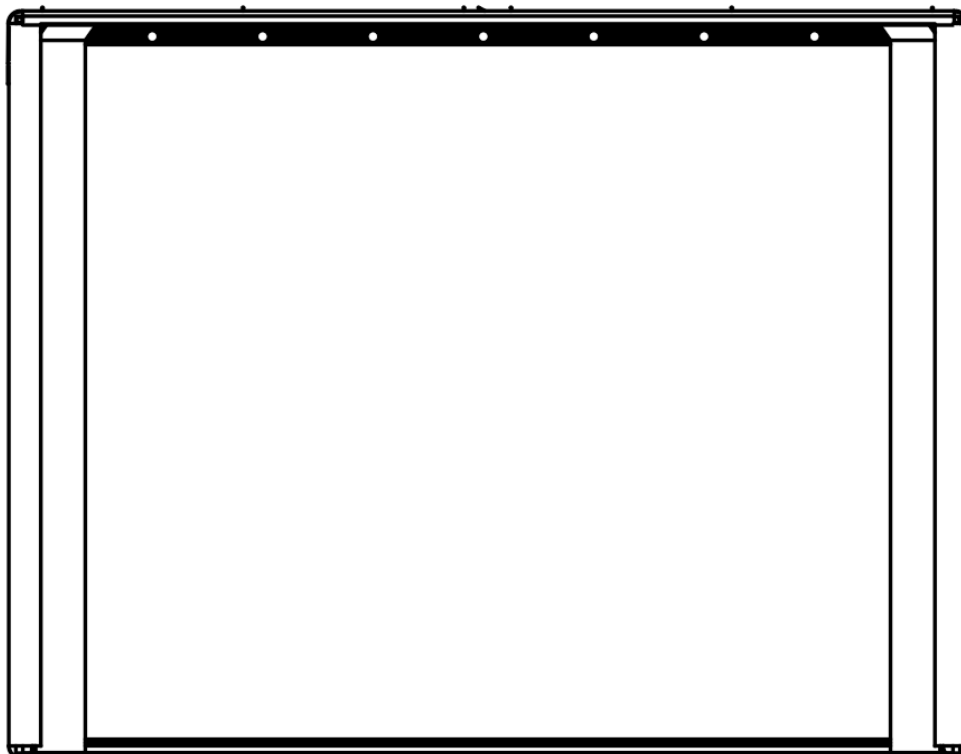
11-3. Tighten up.

Velcro

11-2. Attach to the top

11-4. Attach and tighten up on other corner edge.

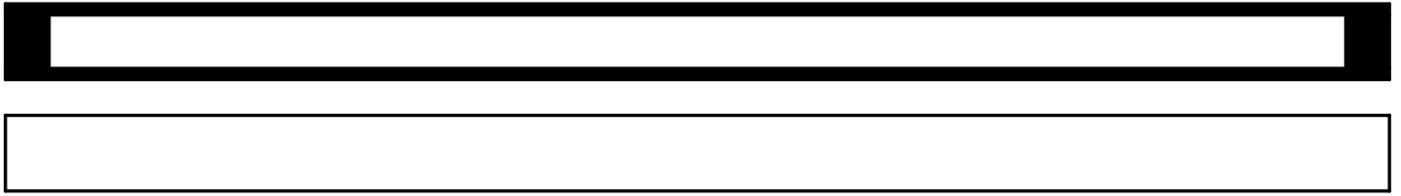
11-5. Repeat steps 11-1~11-4 on the other side.



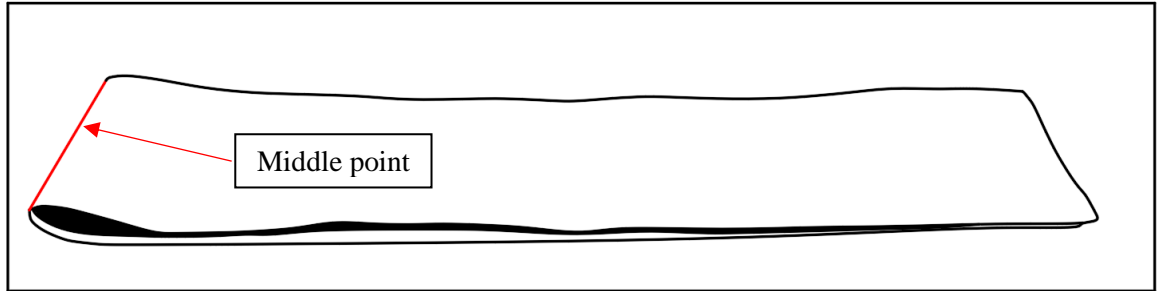
## Golf Screen top border panel

Step 12. Attach the *top border panel* (e) at the top of the golf screen.

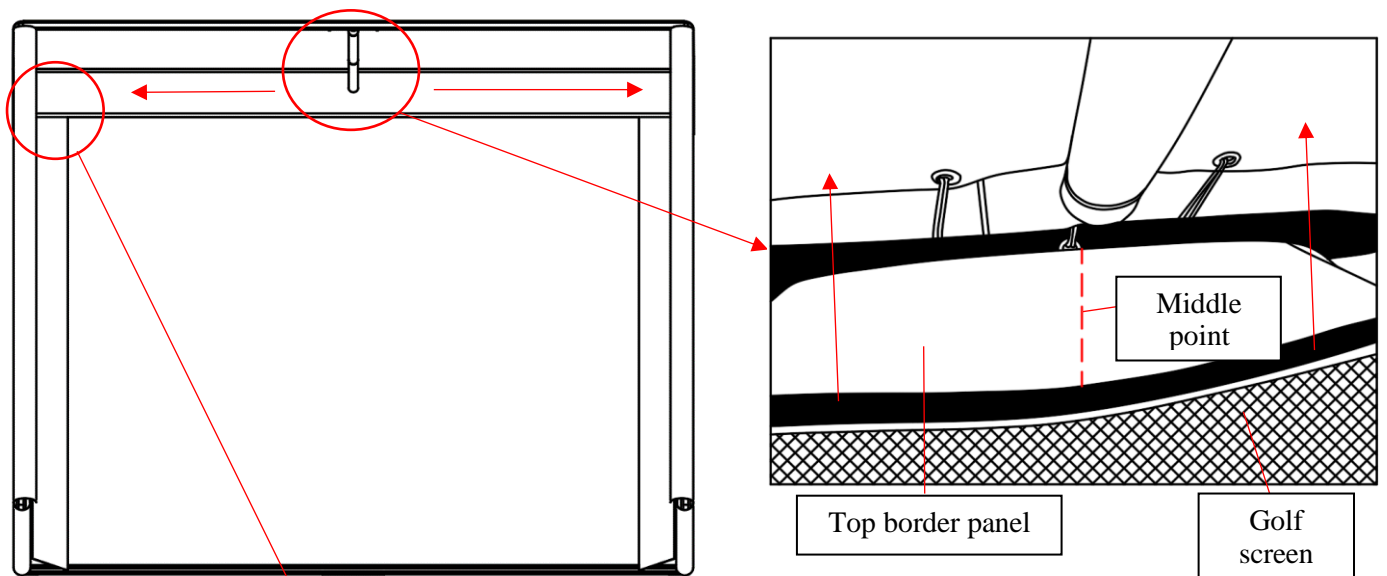
The 4 sides with Velcro strips are the loop (fuzzy) side.



12-1. Fold the black cover cloth to obtain the middle point of the panel.



12-2. Attach the *top border panel* (e) on the Golf Screen from the middle to the edge.



Top border panel

Golf screen

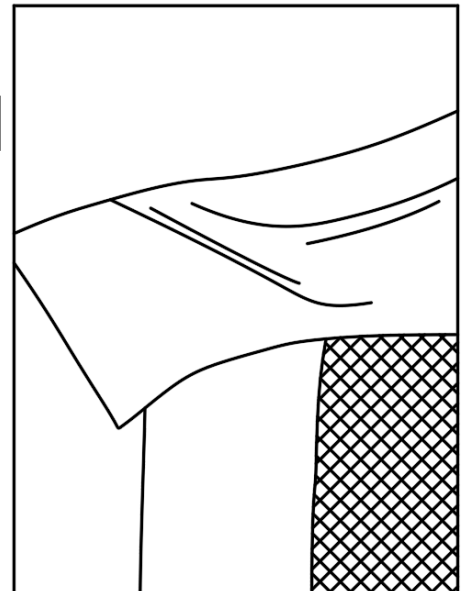
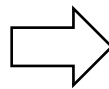
Attach the ends of the top border panel on both sides of the side border panels.

Velcro

Top border panel

Side border panel

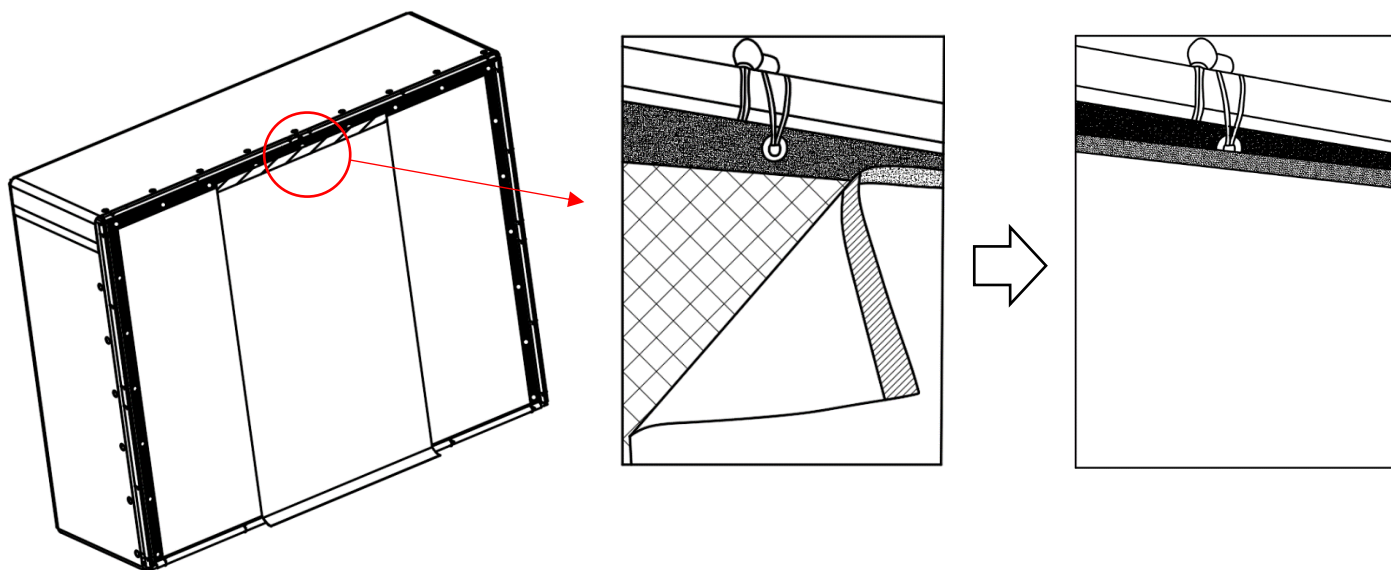
Golf screen



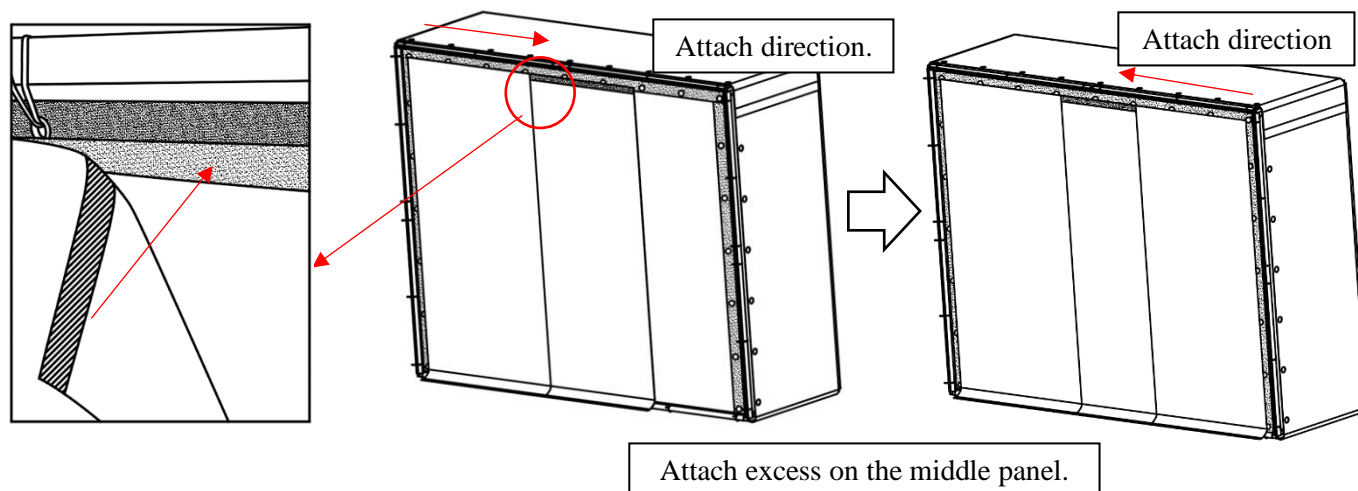
## Back backing panels

Step13. Attach the back backing panels behind the golf screen.

13-1. Attach the *middle black backing* (g) panel first if applicable to your screen size.



13-2. Attach the *left and right side black backing panels* (h) from the edge to the middle.



**For a local Elite ProAV contact or Technical Support, please visit**

**[www.eliteproav.com](http://www.eliteproav.com)**