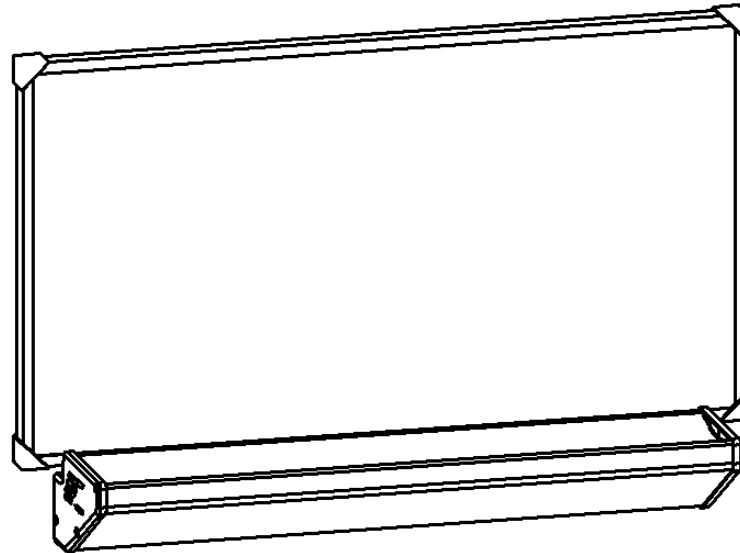




# WhiteBoardScreen TE CLR<sup>®</sup> 2 Series

Ceiling Ambient Light Rejecting Dry-Erase  
Whiteboard Projector Screen

User's Guide – v1



Thank you for choosing the *WhiteBoardScreen TE (Thin Edge) CLR<sup>®</sup> 2 Series* dry-erase whiteboard projection screen! The CLR<sup>®</sup> 2 features ceiling ambient light rejecting technology to be used with tabletop-mounted ultra/short-throw projectors for rooms with uncontrolled lighting.






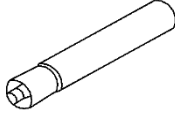

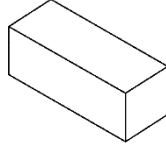
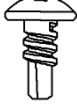


In addition to being a projector screens, it double as a dry-erase whiteboard that is scratch-resistant and easy to clean. Please read through this user guide before utilizing the screen. Correct usage and maintenance will ensure a long product life.

## **Precautionary Notes:**

Before using the dry-erase function of your whiteboard screen, please make note of the following instructions to properly maintain and clean your dry-erase/projection screen. *These Whiteboard cleaning tips are just as relevant with any dry-erase writing surface as they are with our Whiteboard- Projection Screens.*

1. Only use a **high-density foam eraser** when removing dry-erase markings from the WhiteBoardScreen.
2. **Do not** use abrasive erasers as these may damage the surface of the screen and will not erase dry-erase pen markings on the whiteboard screen surface.
3. **Never** spray the whiteboard cleaning solution onto the surface while marker writing is present and then attempt to use a high-density foam eraser to remove. This will only smear the dry-erase marker ink making the surface more difficult to clean and will likely ruin the foam eraser.
4. If there are any dry-erase markings left behind even after attempting to remove them using the high-density eraser, spray our whiteboard cleaning solution directly onto the screen surface and use only a soft microfiber cloth to wipe-down and clean the area.

## Hardware and Parts

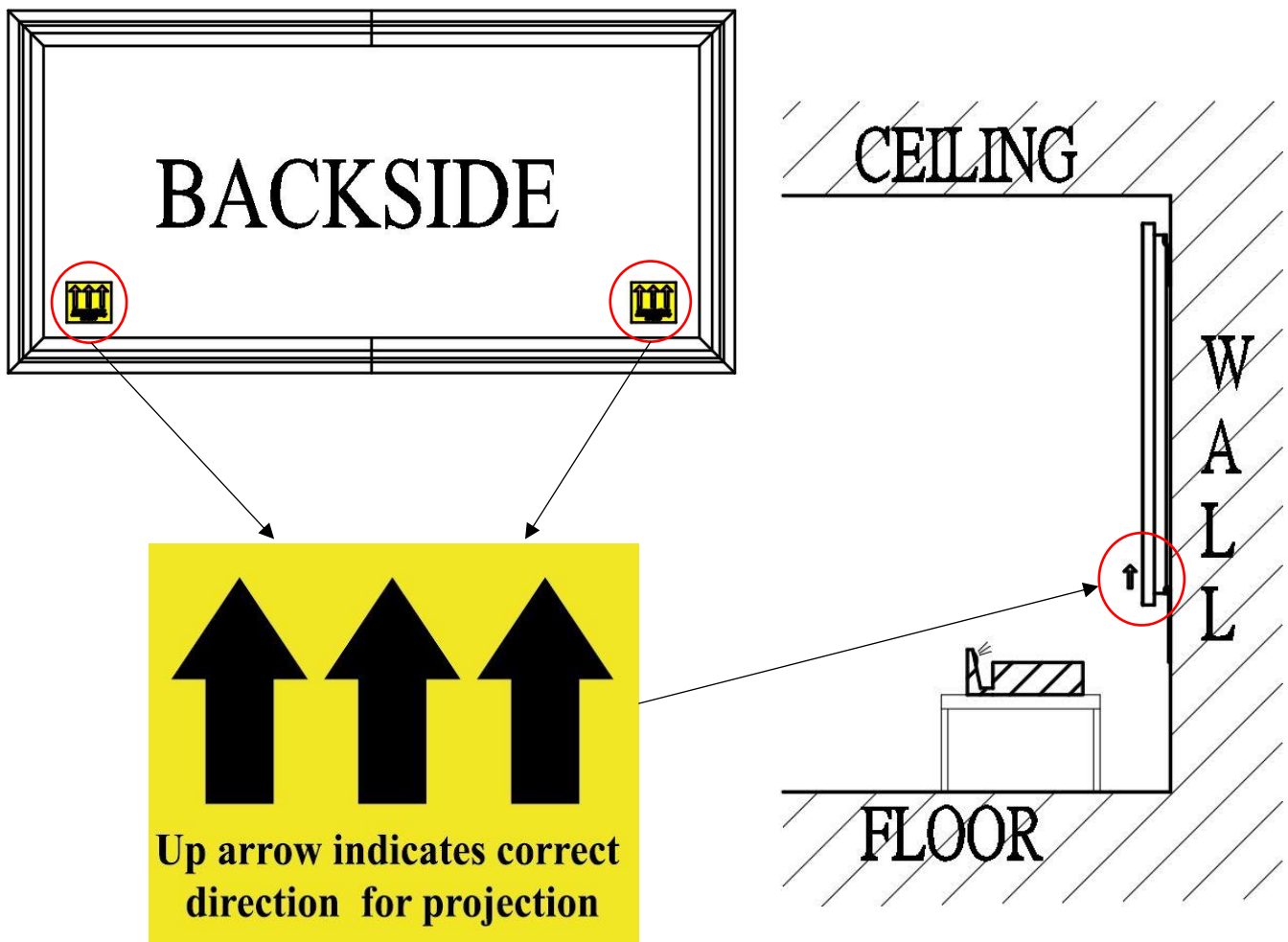
a. Wall Screws x 10 	b. Hollow Wall Anchors x 10 	c. Top Hanging Brackets x 2 	d. Bottom Hanging Brackets x 2 
e. Eraser x 1 	f. Dry-erase markers x 2 	g. Cleaning Solution x 1 	h. White foam x 1 
i. M4 screws x 2 	j. Tray hanging brackets x 2 	k. Tray x 1 	

If replacement cleaning accessories are needed, please visit the Whiteboard cleaning accessories section of our website at <http://www.elitescreens.com/clean-whiteboard>

### Installation

CLR<sup>®</sup> 2 is a directional material. Please note the label on the backside to indicate the direction before hanging the whiteboard screen on the wall. See illustration below.

**DO NOT** hang/mount the screen if the arrows are facing down.

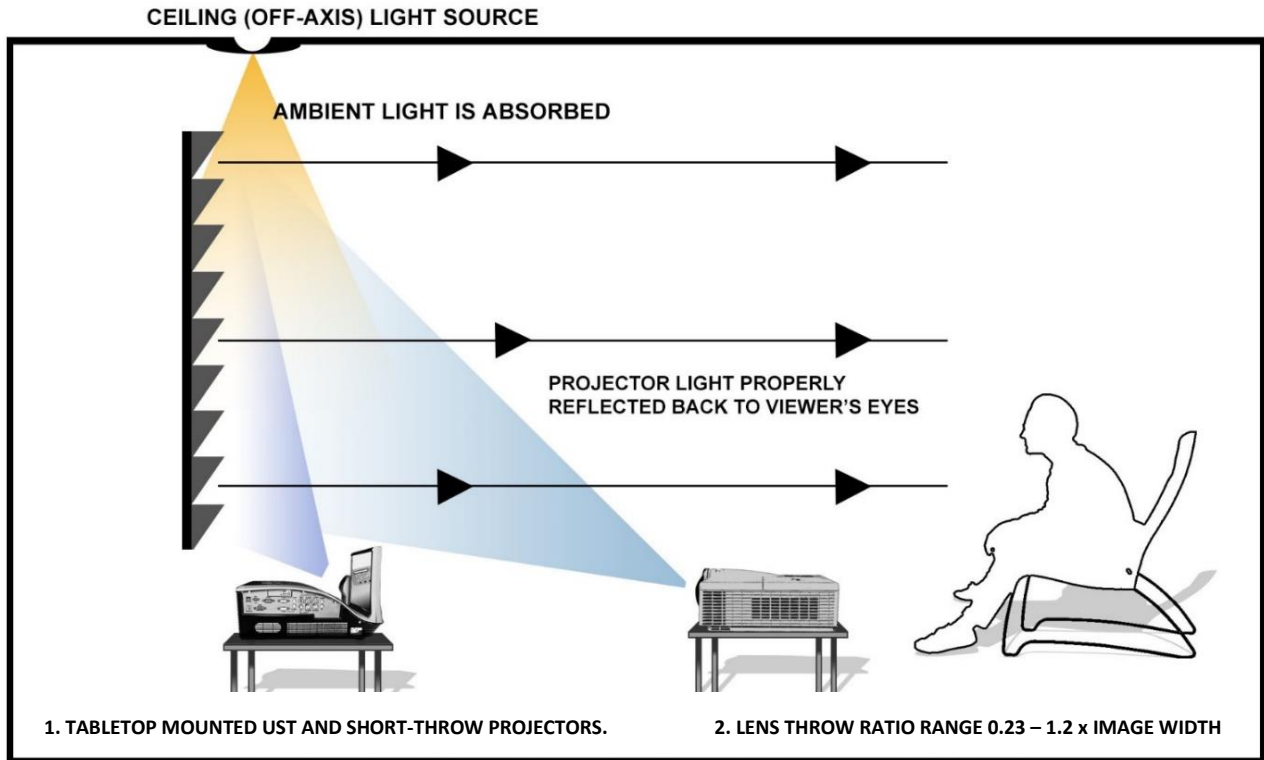


## Notice to Installer:

### Material Tip: Proper Projector Placement for CLR®2

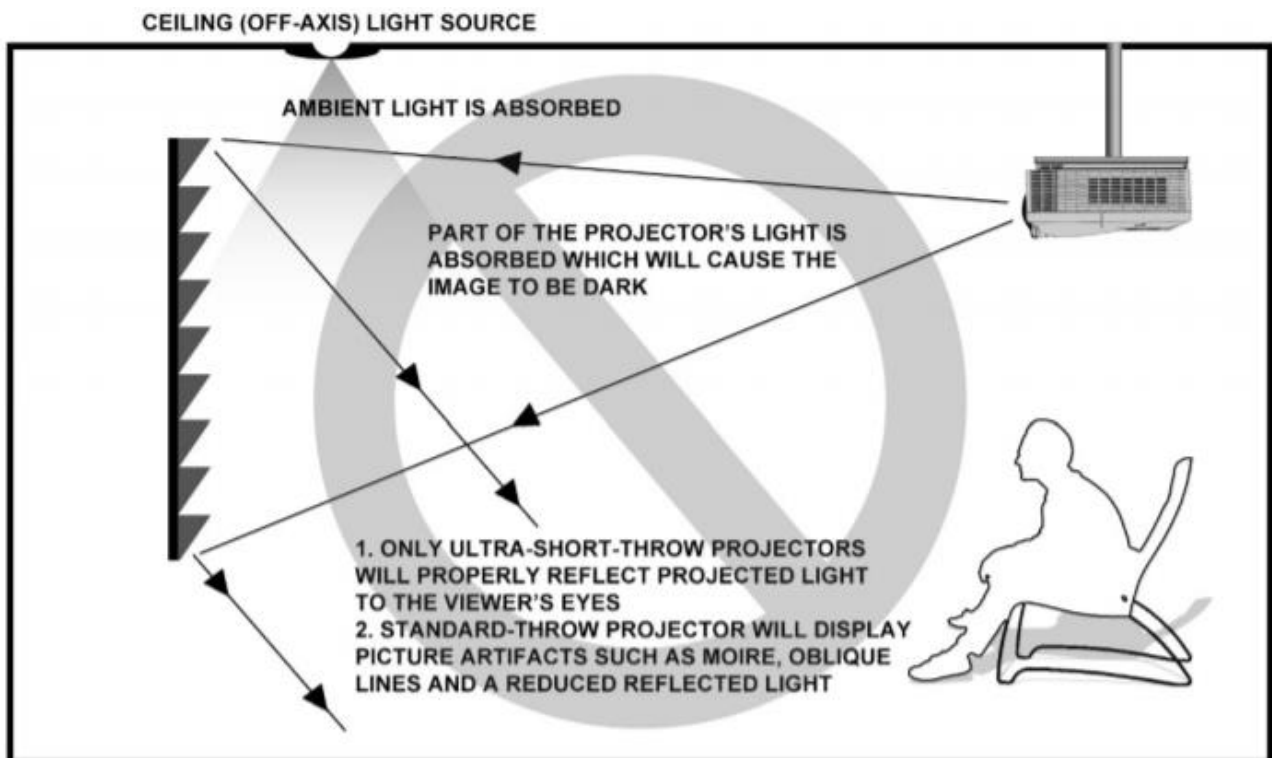
The CLR®2 is exclusively for table-mounted ultra and short throw projectors as illustrated in the graphics below. Overhead placement or a standard throw projector will make the image very dark, on account of the screen's absorbent layer deflecting light that is not aligned with its reflective angle.

**Correct projector installation:** Ultra-short and Short throw projector aligns with reflective layer.



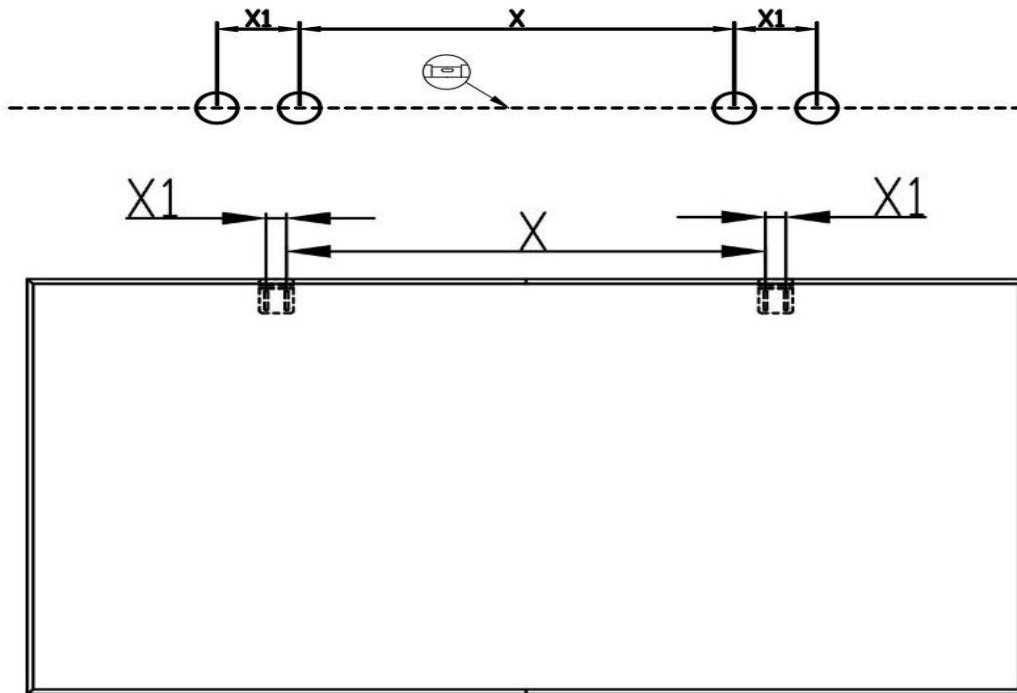
### ULTRA SHORT THROW (UST) & SHORT THROW PROJECTOR ILLUSTRATION

### Improper projector installation



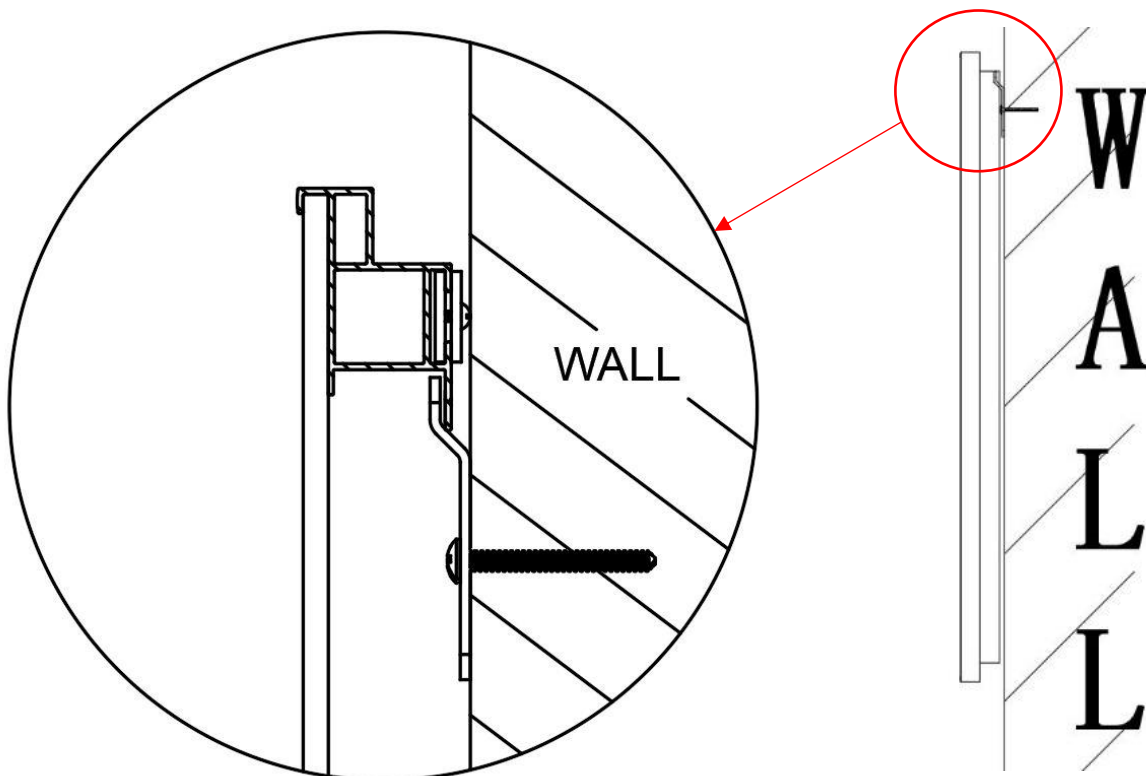
### PROJECTOR CEILING INSTALLATION (NOT COMPATIBLE)

**Step1:** Mark the location the WhiteBoardScreen will be installed and drill your holes for all of the *Top Hanging Brackets* (c). Once the holes have been drilled, insert and screw the *wall screws* (a) as shown below. It is strongly recommended to install the WhiteBoardScreen on wood studs for added stability. If the location does not have wood studs, then use the included *hollow wall anchors* (b).

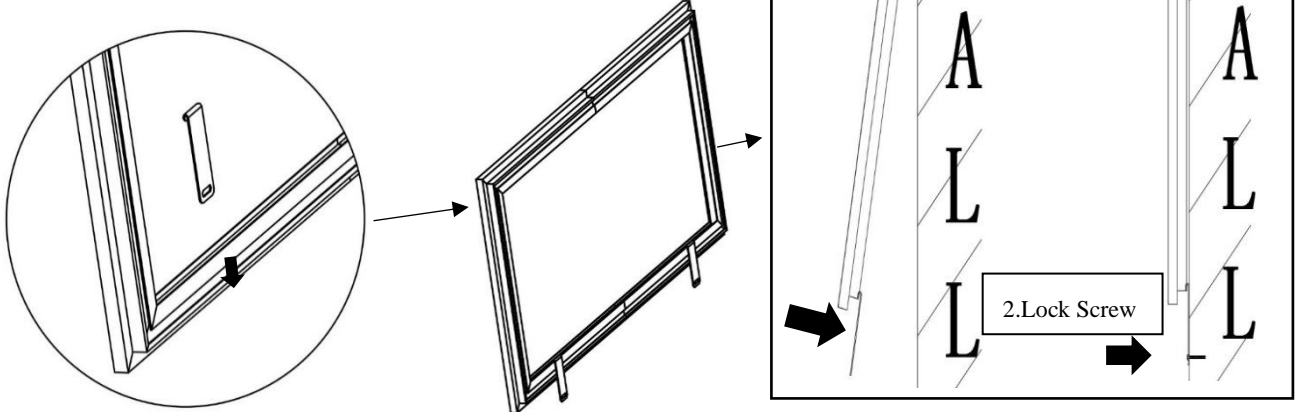


Model/Size	X1 = Bracket hole distance	X = Wall bracket distance
WB90-CLR2	30mm (1.18'')	620mm (24.41'')
WB4x8-CLR2	30mm (1.18'')	1200mm (47.24'')

**Step 2:** Hang the WhiteBoardScreen on the *Top Hanging Brackets*, making sure the top lip inserts into the rail on back of the frame.

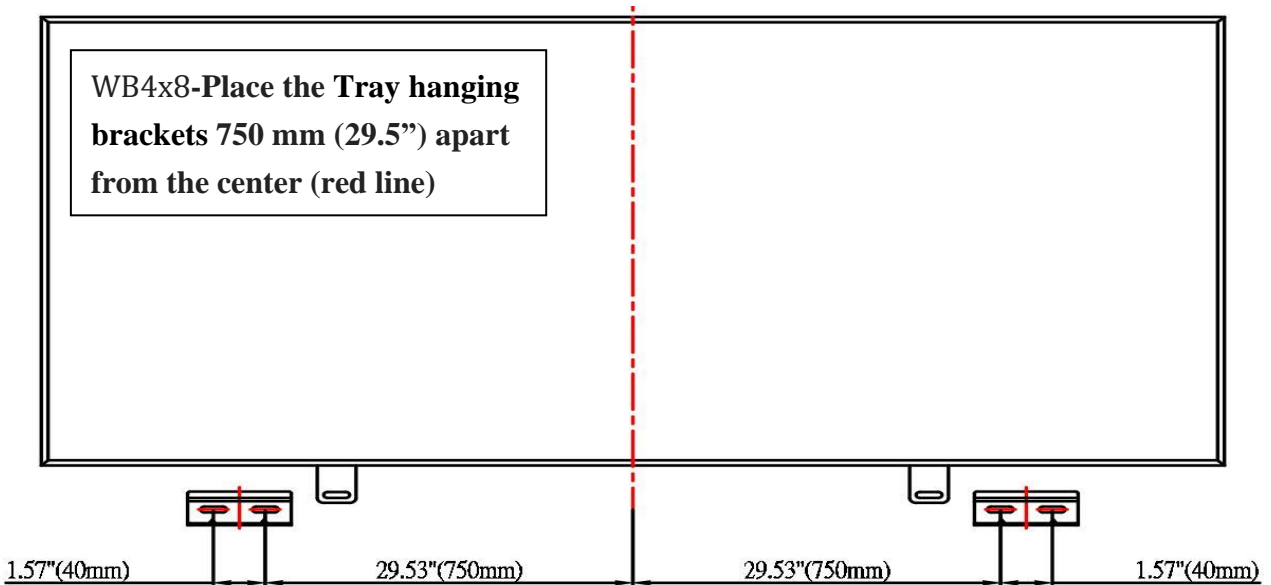
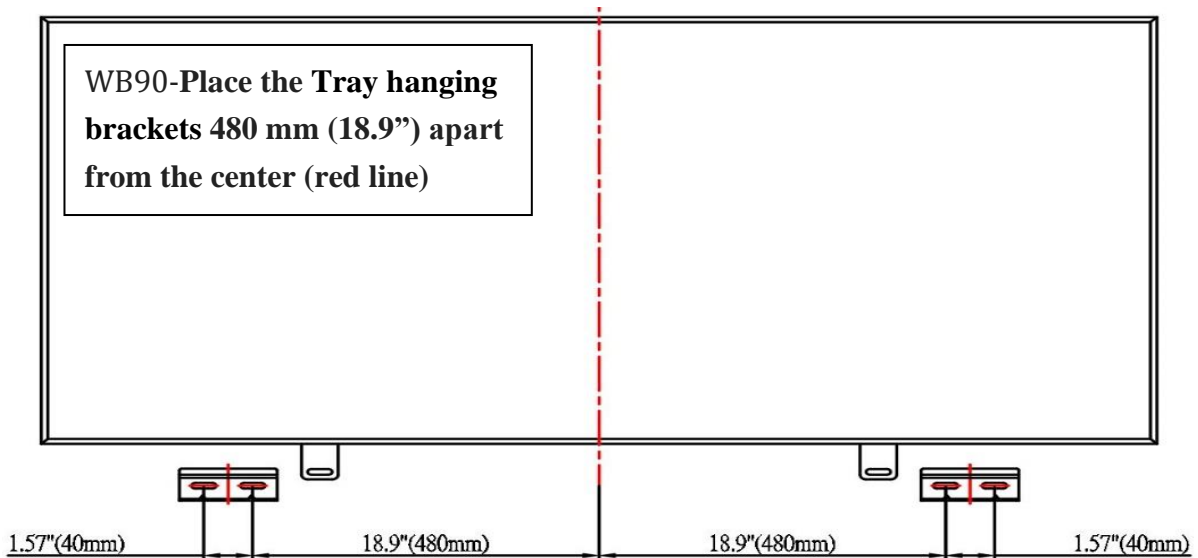


**Step 3:** Next, attach the *Bottom Hanging Brackets* (d) to the bottom frame, again making sure the lip of the bracket inserts in the rail. Then, drill holes according to the holes on the bottom brackets to insert and screw the wall screws to secure the bottom hanging brackets to the wall.

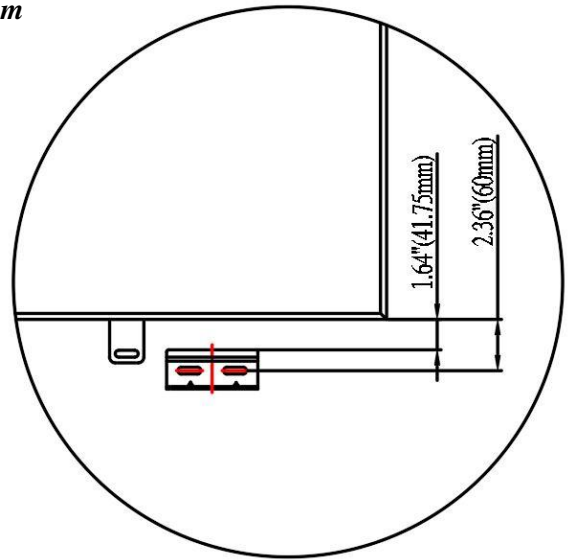
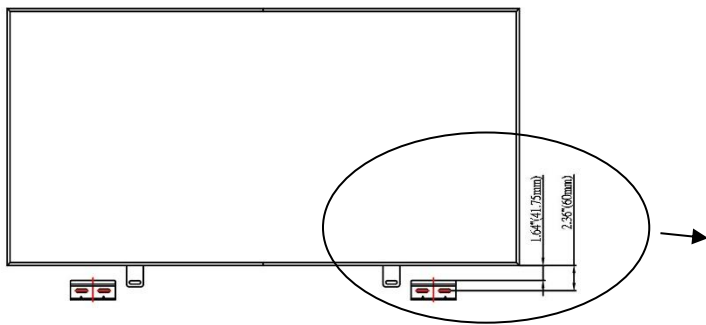


### Pen Tray Installation

**Step 4:** Line up the *Tray Hanging Brackets* (j) with the bottom screw holes of the *bottom hanging brackets* (b). Then, mark and drill the holes and install brackets to the wall.

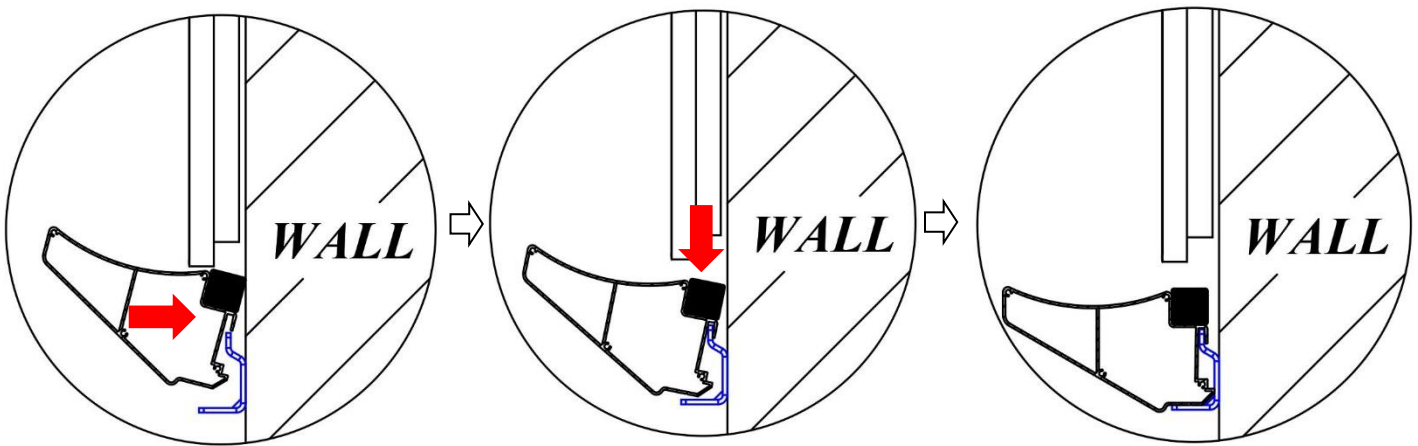


**Minimum clearance requirement for pen tray installation diagram**

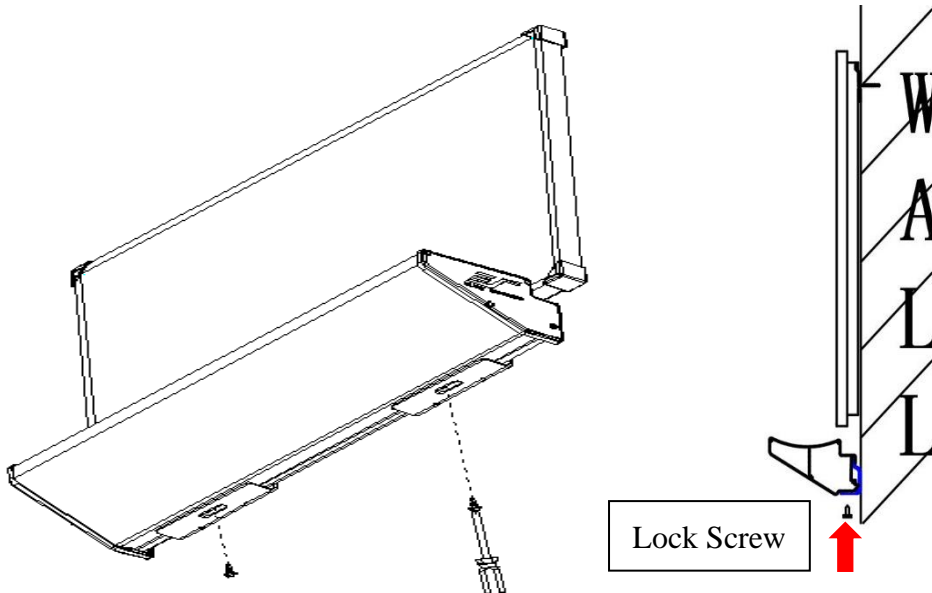


Leave a minimum (**1.64\"/>**

**Step 5:** Attach the pen tray on the tray hanging bracket as shown in the steps below.



**Step 6:** Use the **M4 screws** (i) to lock and secure the pen tray to the brackets.



**For a local EliteProAV contact or Technical Support, please visit**

[www.eliteproav.com](http://www.eliteproav.com)