

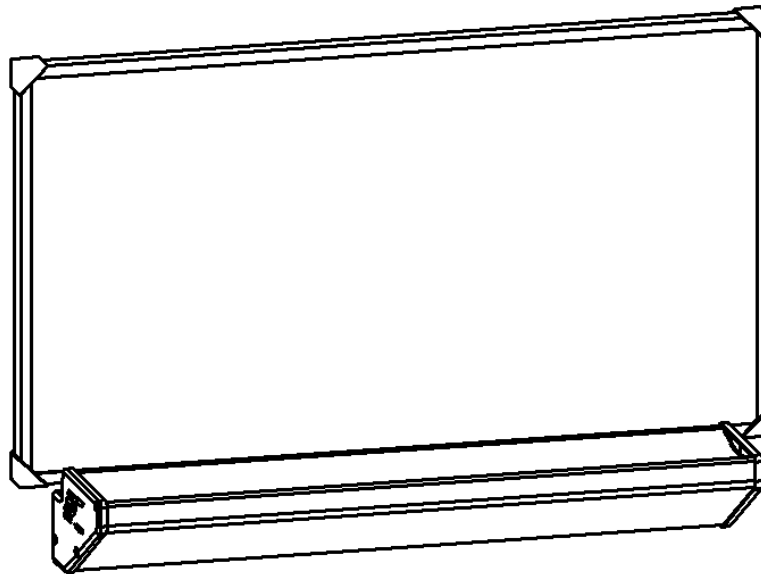


Dry-Erase Whiteboard Projector Screen

WhiteBoardScreen™ TE

User's Guide

Thank you for choosing the WhiteBoardScreen TE (Thin Edge) Series dry-erase whiteboard projection screen! Please read through this user guide before utilizing the screen. Correct usage and maintenance will ensure a long product life.






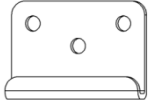

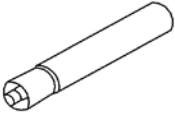

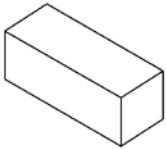



Precautionary Notes:

Before using the dry-erase function of your whiteboard screen, please make note of the following instructions to properly maintain and clean your dry-erase surface projection screen. *These Whiteboard cleaning tips are just as relevant with any dry-erase writing surface as they are with our Whiteboard- Projection Screens.*

For a video demonstration, please visit: <http://www.elitescreens.com/whiteboardscreen-cleaning>

1. Only use a **high-density foam eraser** when removing dry-erase markings from the WhiteBoardScreen.
2. **Do not** use abrasive erasers as these may scratch the surface of the screen and will not erase dry-erase pen markings on the whiteboard screen surface.
3. **Never** spray the whiteboard cleaning solution onto the surface while marker writing is present and then attempt to use a high density foam eraser to remove. This will only smear the dry-erase marker ink making the surface more difficult to clean and will likely ruin the foam eraser.
4. If there are any dry-erase markings left behind even after attempting to remove them using our high density erasers, spray our whiteboard cleaning solution directly onto the screen surface and use only a soft microfiber cloth to wipe-down and clean the area.

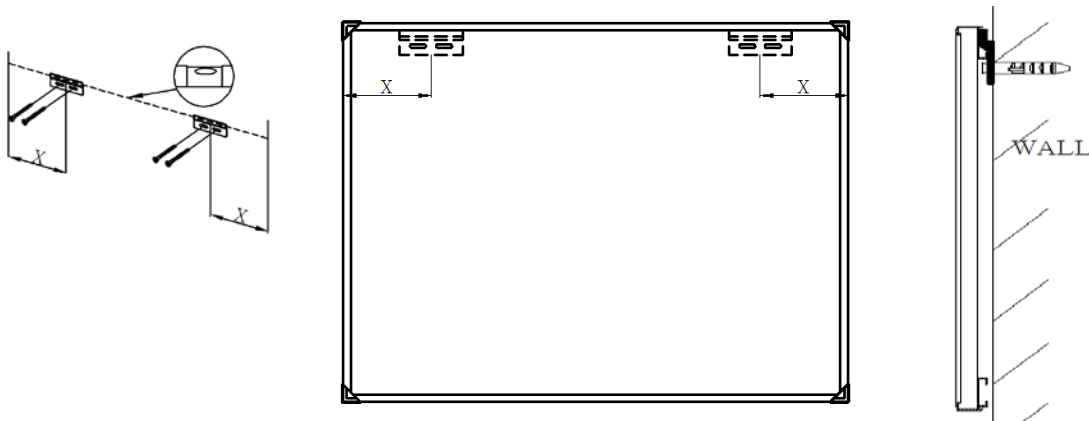
Hardware and Parts

a. Wall Screws x 12 	b. Hollow Wall Anchors x 12 	c. Top Hanging Brackets x 2 	d. Bottom Hanging Brackets x 2 
e. Eraser x 1 	f. Dry-erase markers x 2 	g. Cleaning Solution x 1 	h. White foam x 1 
i. M4 screws x 2 	j. Tray hanging brackets x 2 	k. Tray x 1 	

If replacement cleaning accessories are needed, please visit the Whiteboard cleaning accessories section of our website at <http://www.elitescreens.com/clean-whiteboard>

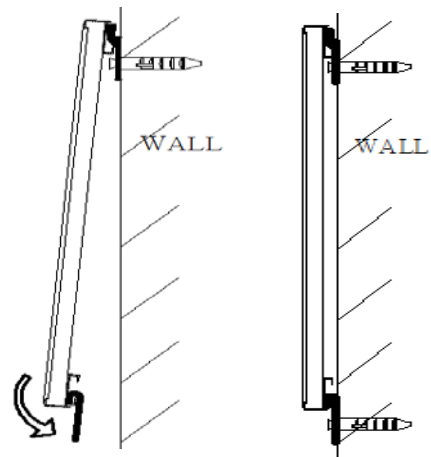
Installation

Step 1: Mark the location the WhiteBoardScreen will be installed and drill your holes for all of the **Top Hanging Brackets** (c). Once the holes have been drilled, insert and screw the **wall screws** (a) as shown below. It is strongly recommended to install the WhiteBoardScreen on wood studs for added stability. If the location does not have wood studs, then use the included **hollow wall anchors** (b).



Step 2: Hang the WhiteBoardScreen on the **Top Hanging Brackets**, making sure the top lip inserts into the rail on back of the frame.

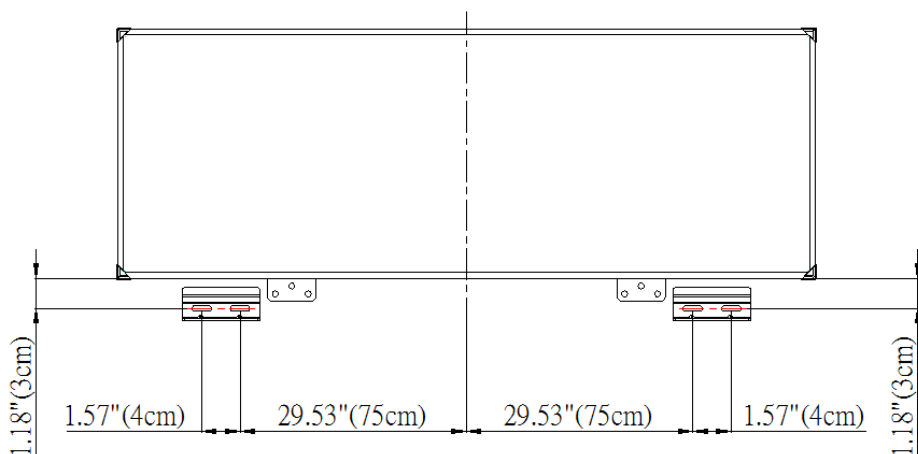
Step 3: Next, attach the **Bottom Hanging Brackets** (d) to the bottom frame, again making sure the lip of the bracket inserts in the rail. Then, drill holes according to the holes on the bottom brackets to insert and screw the wall screws to secure the bottom hanging brackets to the wall.



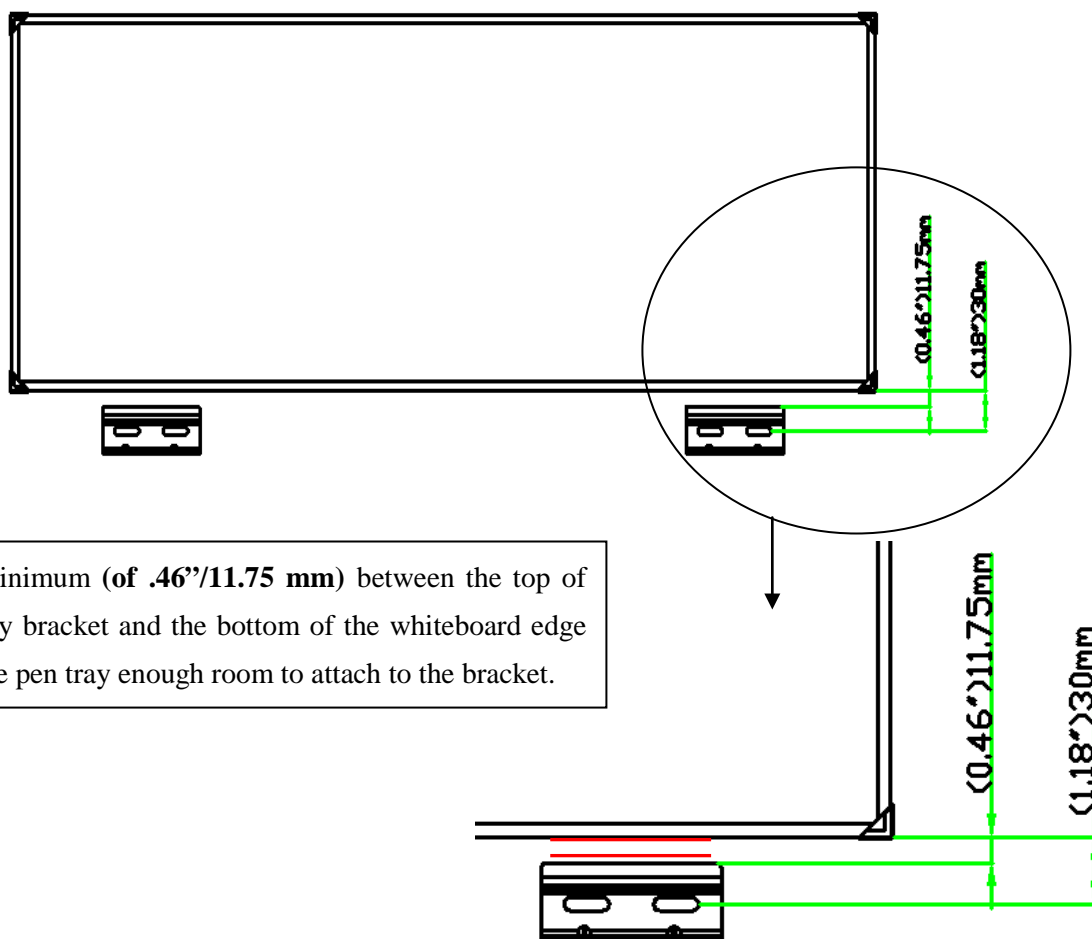
Pen Tray Installation

Step 4: Line up the *Tray Hanging Brackets* (j) with the bottom screw holes of the *bottom hanging brackets*

(b). Then, mark and drill the holes and install brackets to the wall.

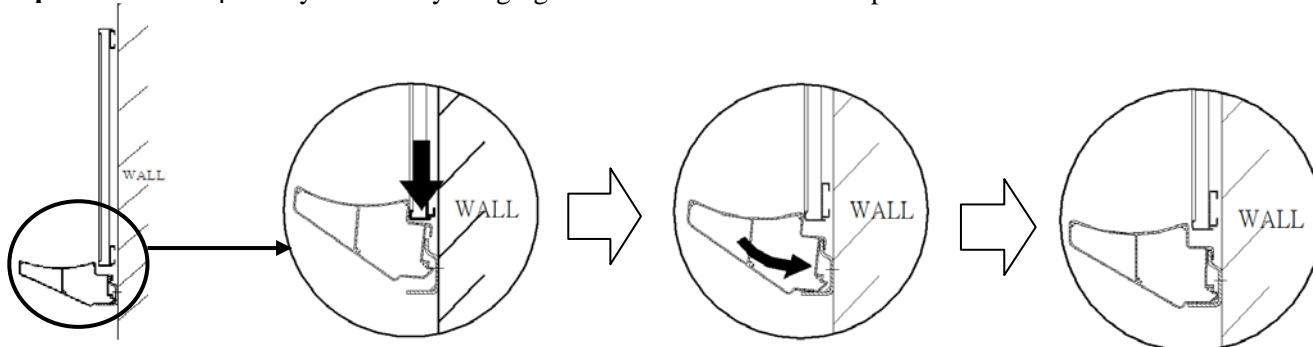


Minimum clearance requirement for pen tray installation diagram

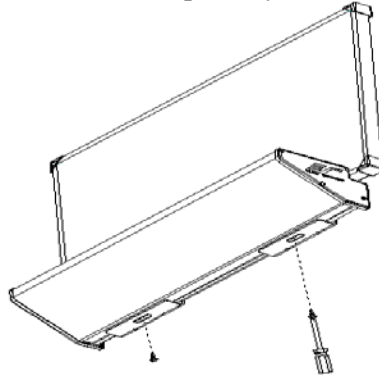


Leave a minimum (of .46"/11.75 mm) between the top of the pen tray bracket and the bottom of the whiteboard edge to allow the pen tray enough room to attach to the bracket.

Step 5: Attach the pen tray on the tray hanging bracket as shown in the steps below.



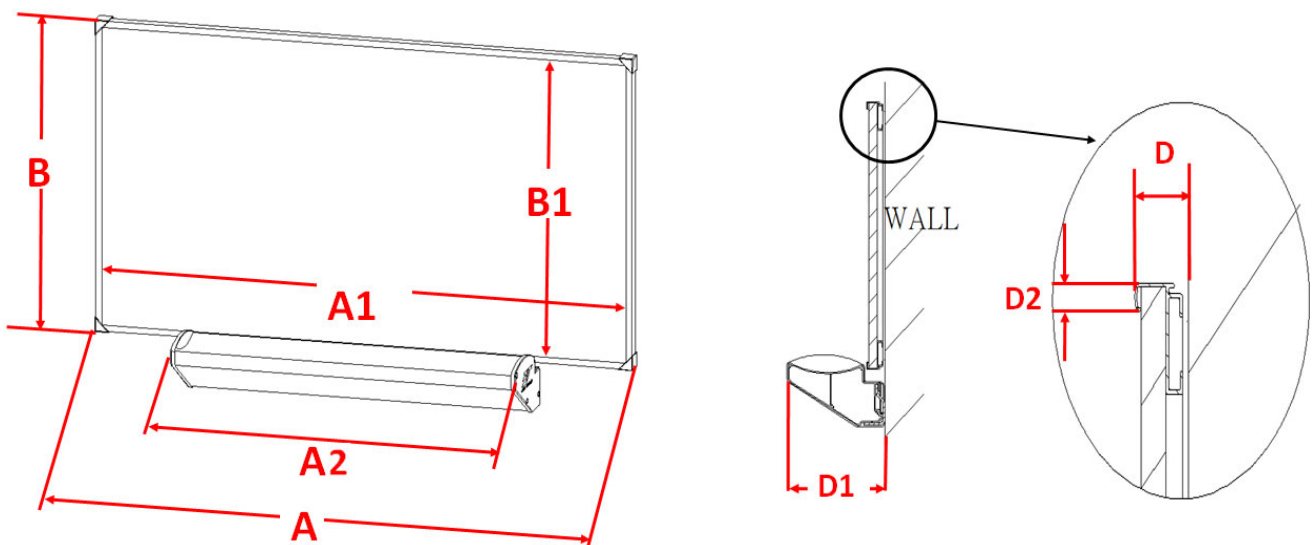
Step 6: Use the *M4 screws* (i) to lock and secure the pen tray to the brackets.



Dimensions Table

Model	Diag. Size	Aspect Ratio	View Area (HxW)	Overall Width (A)	Viewable Width (A1)	Tray (A2)	Overall Height (B)	Viewable Height (B1)	D	D1	D2
Unit: Inches											
WB60VW1	60"	4:3	36.4"x47.2"	47.7	47.2	43.3	36.9	36.4	0.7	3.7	0.2
WB79VW1	79"	4:3	47.7"x62.6"	63.1	62.6	58.7	47.7	47.2	0.7	3.7	0.2
WB90XW1	90"	16:10	47.2"x75.6"	76.1	75.6	70.9	47.8	47.2	0.7	3.7	0.2
WB97HW1	97"	16:9	47.2"x84.0"	84.5	84.0	78.7	47.8	47.2	0.7	3.7	0.2
WB113XW1	113"	16:10	59.4"x95.7"	96.2	95.7	90.6	60.0	59.4	0.7	3.7	0.2
WB5x10HW1	134"	N/A	59.4"x119.6"	120.1	119.6	114.2	60.0	59.4	0.7	3.7	0.2
Unit: mm											
WB60VW1	60"	4:3	36.4"x47.2"	1212	1199	1100	937	925	18	94	5
WB79VW1	79"	4:3	47.7"x62.6"	1603	1590	1491	1212	1199	18	94	5
WB90XW1	90"	16:10	47.2"x75.6"	1934	1920	1800	1214	1200	19	93	6
WB97HW1	97"	16:9	47.2"x84.0"	2147	2133	2000	1214	1200	19	93	6
WB113XW1	113"	16:10	59.4"x95.7"	2444	2430	2300	1524	1510	19	93	6
WB5x10HW1	134"	N/A	59.4"x119.6"	3052	3038	2900	1524	1510	19	93	6

Note: Data Error ±1"



For a local EliteProAV contact or Technical Support, please visit www.eliteproav.com