



Manual Grande™ Series

Large-Venue Manual Pull Down Projector Screen

(Bead Chain Operated)

User's Guide

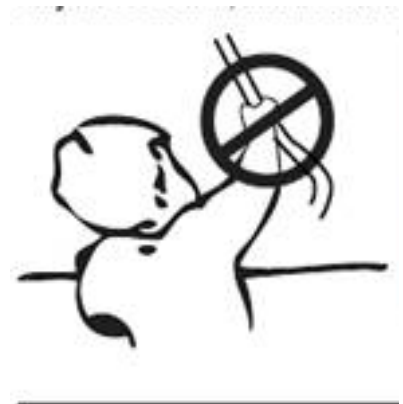
Thank you for choosing the *Manual Grande*™ Series projection screen!

Please be sure to read the precautions and operating instructions carefully before operating the screen. Proper maintenance and handling will ensure a longer life-span of the product.

WARNING!

Keep the bead chain out of the reach of small children. A child can accidentally hook the bead chain around his/her neck and cause serious injury or even death.

1. **ALWAYS** keep cords and bead chains out of children's reach.
2. **MOVE** cribs, playpens, beds, and any other furniture away from the bead chain. Children can climb on furniture and be able to reach the chain.
3. **INSTALL** the chain tensioner as it serves as a safety device to keep the bead chain from being able to be pulled away from the wall.




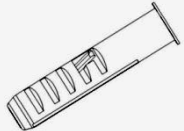
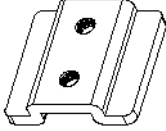
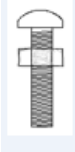



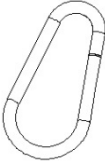
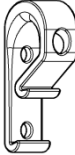
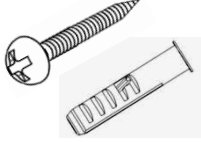
Note:

Wall screws included with this product are complementary and may not be adequate for all mounting surfaces. Consult with a professional installer or hardware store for proper mounting screws and anchors.

Regardless of the mounting method, the screen should be securely supported so that the vibration or pulling on the viewing surface will not cause the screen case to become loose or fall. The installer must ensure that proper mounting hardware and the fasteners used are of adequate strength and suitable for the mounting surface.

Hardware Parts List

Please make sure all parts listed below are included before proceeding with the installation.

A. M5x60 Screw x4	B. M12 Dry-wall anchor x4	C. Bracket connector x2	D. M5x25MM round head cross screws x2 & M5 nut x2	E. M5x30MM eyebolt screw & M5 nut x2
				
F. Hidden wall bracket x2	G. R18xR6x1 washer x4	H. Snap link x2	I. Bead chain tensioner x1	J. M4x32 Screw x2&M8 Dry-wall anchor x2
				

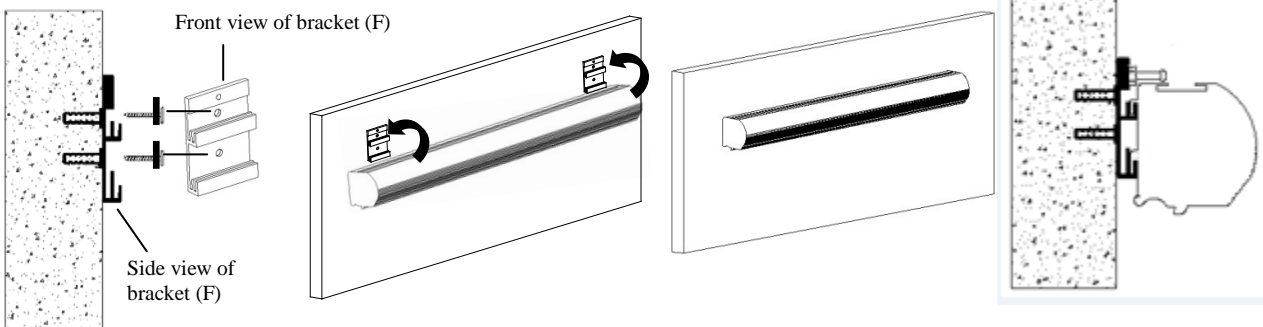
Installation Instructions

For installation assistance, please consult a professional Installer. EliteProAV is not liable for faulty installations.

A. Wall Mount

Flush hidden mount (movable position)

This installation method allows the screen to slide horizontally.

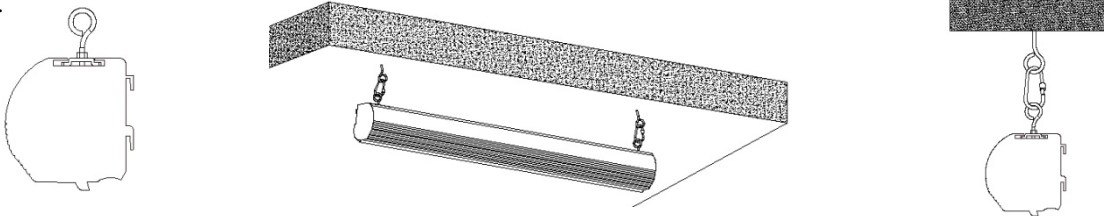


1. Determine where the screen will be installed. Then, measure and mark the distance between the top and bottom screw holes from each **hidden wall mount bracket** (F).
2. Drill a hole on all marked areas and install the brackets with the **dry-wall anchor** (B), **M5x60 screw** (A), and a **washer** (G). Make sure both brackets are properly leveled.
3. Hang the screen by placing the **downward** “catch” located on the back over the brackets **upper** “catch”.
4. After making sure the screen is secured, you can slide it left / right to properly center it in position.
5. Lastly, screw the **M5 screw** (D) into the upper hole of the bracket to add additional support for the screen.

B. Ceiling Mount

Suspended

1. Screw the **eyebolt** (E) on the **bracket connector** (C).
2. Attach the **snap link** (H) through the **eyebolt** (E) and connect it to an eyebolt screw (not included) rated for the screen’s weight.



Bead Chain Tensioner

EliteProAV *Manual Grande*™ Series uses a Bead Chain Clutch Operated mechanism to allow the screen material to roll down and up. For the safety of young children, it includes a **Bead chain tensioner (I)** device pre-attached to the bead chain (along with the safety label below). To use this tension clip, thread bead chain through the clip, then attach to wall or window sill so that the bead chain is held taut enough that children cannot pull it away from the wall or fit their head into the loop.

Warning for the Safety of Young Children

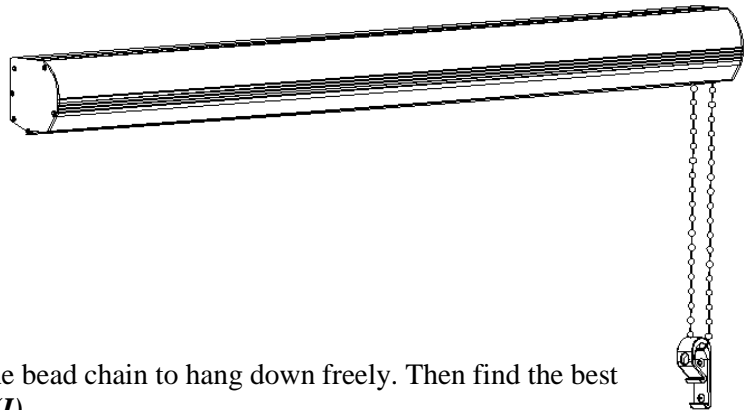
Young children can STRANGLE in cord and bead chain loops.



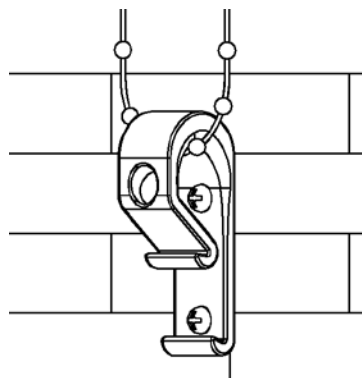
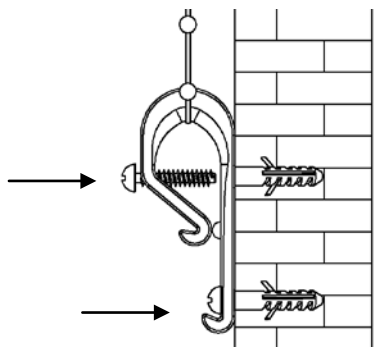
1. **ALWAYS** keep cords and bead chains out of children's reach.
2. **MOVE** cribs, playpens, beds, and any other furniture away from the bead chain. Children can climb on furniture and get to the cord loop.
3. **INSTALL** the bead chain tensioner as it serves as a safety device to keep the bead chain from being able to be pulled away from the wall.

Fasteners provided with the tension device may not be appropriate for all mounting surfaces. Use appropriate anchors to safely secure the tension device to the mounting surface.

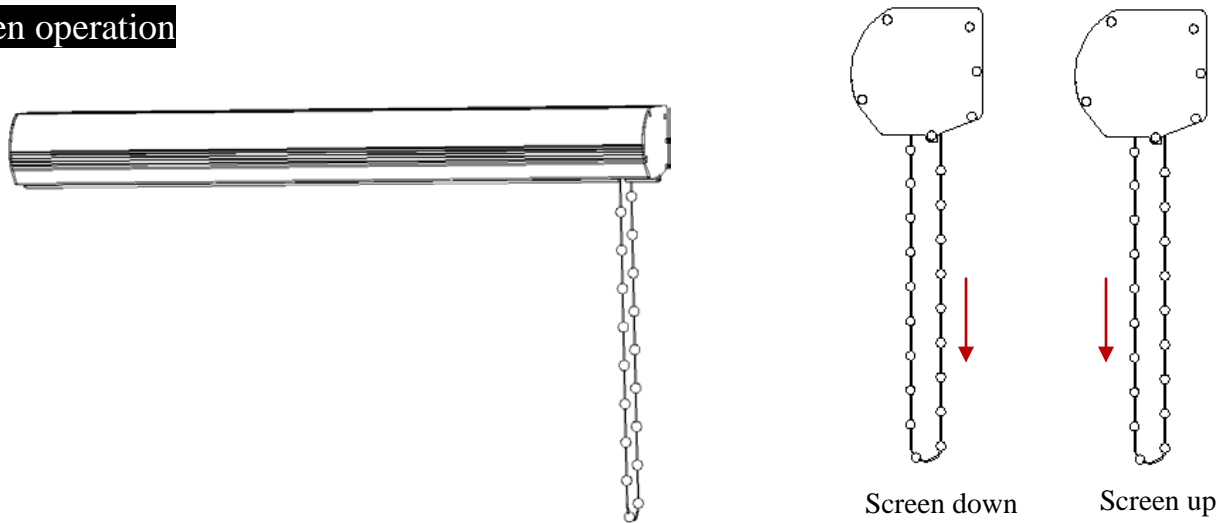
Bead Chain Tensioner Installation



1. After the screen has been properly installed, allow the bead chain to hang down freely. Then find the best place on your wall to attach the **Bead chain tensioner (I)**.
2. After locating the position of the **Bead chain tensioner (I)**, mark where to drill the holes for the anchors with a pencil.
3. Drill the holes and insert the **M8 Dry-wall anchor (J)**.
4. Tighten the **M4x32 Screw (J)** to the **M8 Dry-wall anchor (J)** when the upper hole of the **Bead chain tensioner (I)** aligns with the hole of **M8 Dry-wall anchor (J)**.
5. Tighten the bottom screw hole as shown below to complete the tensioner installation.



Screen operation



To lower the screen, grasp the bead chain length closest to the wall and pull downward.

To raise the screen, grasp the bead chain length furthest from the wall and pull downward.

Please note the following points to avoid reducing the life-span of the bead chain.

1. The chain should be pulled straight down. Do not pull the chain in any angle outwards or to the sides. In doing so, the chain will scratch the housing of the screen.

2. The chain should be pulled down in a constant motion. **DO NOT** pull and stop the chain rapidly to avoid shaking and damaging the screen which can be dangerous if not properly fastened and secured.

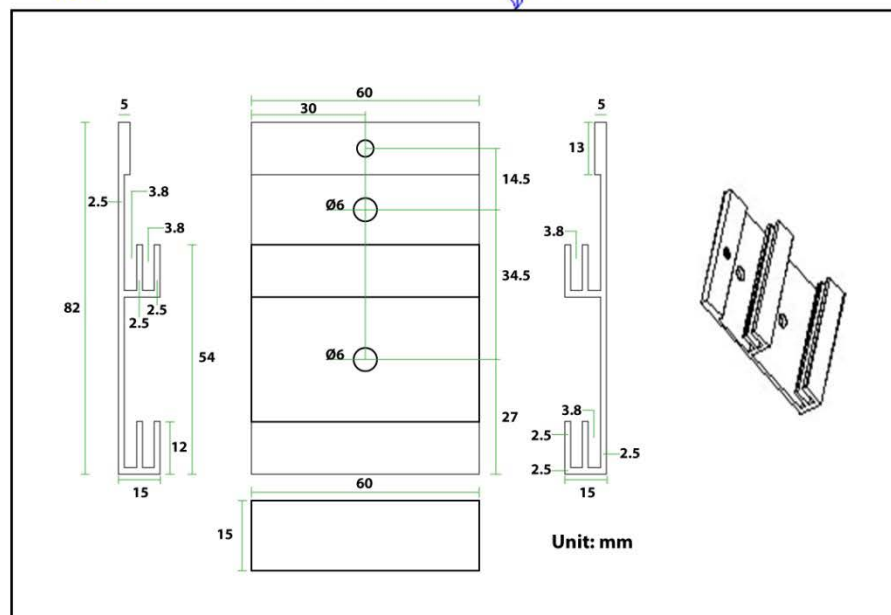
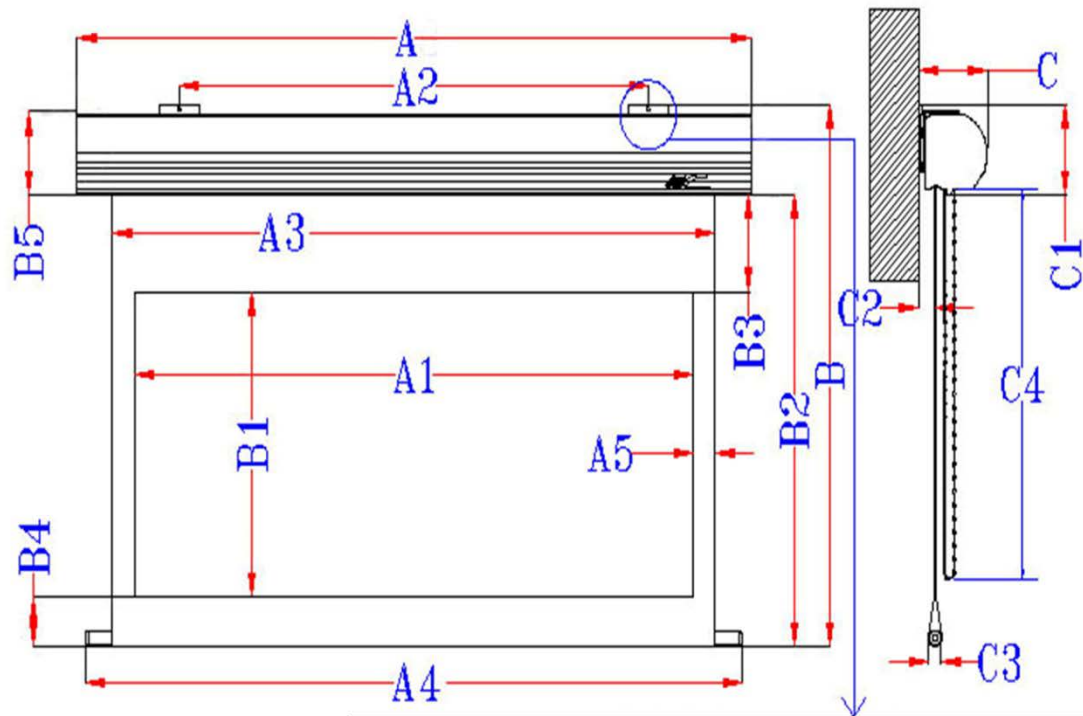
3. When pulling down the screen with the chain, please note there is a limiting device on the bead chain to keep the screen from rolling down too much. Bear in mind that the screen can deploy as far as indicated in the spec sheet. **DO NOT** pull down on the bead chain any harder than needed to deploy and retract the screen. Vigorous operation of the chain can cause damage to the unit.

4. Failure to follow these instructions will void your warranty.

Dimensions Table

Models	A	A1	A2	A3	A4	A5	B	B1	B2	B3	B4	B5	C	C1	C2	C3	C4
Unit: Inches																	
M180XWH-G	169.1	156.9	137.6	159.9	163.0	1.5	101.5	88.2	96.6	6.0	2.4	4.4	4.6	4.9	1.4	0.9	94.5
M180XWV-G	156.1	144.0	124.6	147.0	150.1	1.5	121.3	108.0	116.4	6.0	2.4	4.4	4.6	4.9	1.4	0.9	114.2
Unit: mm																	
M180XWH-G	4294	3985	3494	4061	4141	38	2578	2241	2453	152	60	112	118	125	35	23	2400
M180XWV-G	3966	3657	3166	3733	3813	38	3080	2743	2955	152	60	112	118	125	35	23	2900

Note Data Error: $\pm 1''$



For more information, technical support or your local EliteProAV contact, please visit www.eliteproav.com