



Large In-Ceiling Electric Motorized Front Projection Screen

Evanesce Plus Series

User's Guide

Important Safety & Warning Precautions

Make sure to read this user's guide and follow the procedures below.

Caution: The screen's Black Top Drop is already set to its maximum drop distance. There is NO extra Black Top Drop in the roller. Please be aware of this as it will void your warranty with EliteProAV. Unapproved changes or modifications (except for cutting the power cord for hardwire installations) to this unit are prohibited and will void your warranty.

- Please retain this user's guide for future reference.
- To avoid damaging the unit, do not use with any unauthorized accessories not recommended by the manufacturer.
- Handle the unit carefully during transportation to avoid any damages.
- To ensure safe and reliable operation, direct connection to a properly grounded power source is advised.
- The power outlet supplying power to the unit should be close to the unit and easily accessible.
- Do not install the unit on uneven, inclined surfaces;
- Do not install in damp places to avoid an electric shock or short circuit.
- Do not place any heavy objects over the power cord.
- Position the power cord properly to avoid creating a trip obstacle.
- To avoid an electrical shock or fire, due to a loose contact or short circuit, do not overload the power cord.
- The internal & external parts of this unit are not end user serviceable. Do not attempt to disassemble this unit by yourself. No one except authorized technicians can open and make repairs to this unit.
- Make sure the power source that this unit is connected to has a continuous power flow.
- If there is need to use an extension cord, make sure the cord has an equal rating as the appliance to avoid over heat.
- Do not handle the power plug when your hands are wet or your feet are in contact with water.
- Properly dispose of this equipment according to the environmental regulations in your area when product is no longer of service.

Do not use this unit under the following circumstances.

- Disconnect the power cord under the conditions of heavy rain, wind thunder or lightning.
- Avoid direct sun light, rain shower and moisture.
- Keep away from fire sources and high temperature to prevent this device from overheating.
- Cut off the power supply first before transportation or maintenance.
- To avoid possible injury and/or an electric shock, do not attempt to use this screen if there is obvious damage or if there are any evident broken parts.

Installation Warning

The instructions provided in this user's guide are for reference only. Please consult a professional installation company for further installation and safety advice. The installer must insure that proper mounting hardware is used to provide adequate strength suitable for the installation. EliteProAV is not liable for any faulty installations.

The Screen's **Top Black Drop** is already set to its maximum drop distance. There is **NO** extra top black drop in the roller. Please be aware of this as it will void the limitation of your warranty.

Individual modifications to this product are prohibited and will void the warranty with the manufacturer. Please contact EliteProAV Customer Service for any questions.

NOTE:

This equipment has been tested and found to comply with the limits for a Class B digital device, pursuant to Part 15 of the FCC Rules.

These limits are designed to provide reasonable protection against harmful interference in a residential installation. This equipment generates and can radiate radio frequency energy and, if not installed and used in accordance with the instructions, may cause harmful interference to radio communications.

However, there is no guarantee that the interference will not occur on a particular installation. If this equipment causes harmful interference to radio or television reception, which can be determined by turning the equipment off and on, the user is encouraged to try to correct the interference by one or more of the following measures.

- ✓ **Reorient or relocate the receiving antenna of the device which may be causing the interference.**
- ✓ **Increase the separation between the screen and the device's receiver.**
- ✓ **Connect the equipment into a different power outlet other than the device.**

Pre-Installation




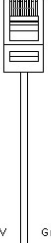

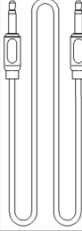
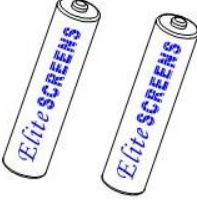
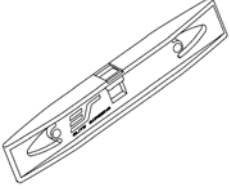
1. Carefully unpack the screen.
2. Always handle the screen in a leveled position on a clean surface.
3. In order to protect the screen from exposure to stains, keep the screen out of contact with foreign particles such as dust, sawdust, and/or liquids.

NOTE

Regardless of the mounting method, the screen should be securely supported so that the vibration or pulling on the viewing surface will not cause the casing to become loose or fall. The installer must insure the fasteners that are used are of adequate strength and suitable for the installation location.

Accessories for Evanesce Plus Series

Please make sure all accessories listed below are included before proceeding.

A. IR Remote	B. RF Remote	C. Wall switch control box	D. 5-12 volt trigger cable
			 Red 12V Green 0V
E. IR extended "eye" receiver	F. Wireless 5-12v (3.5 mm) mono trigger cable	G. AAA batteries	H. Bubble leveler
			

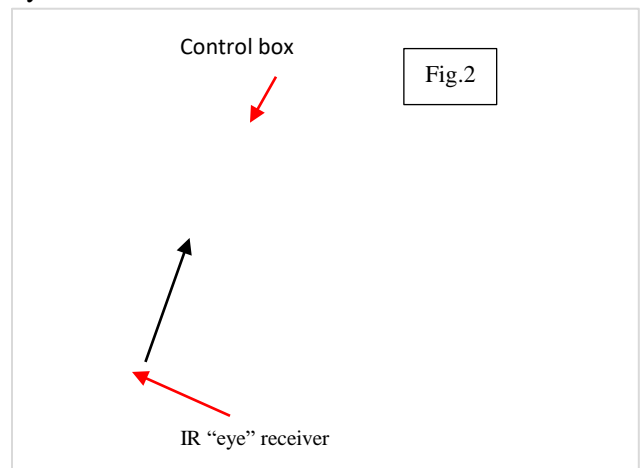
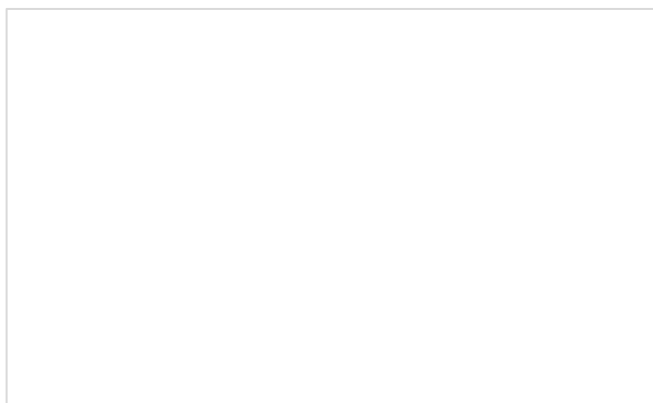
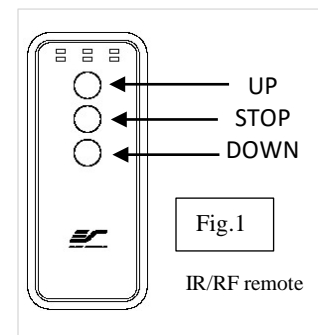
Screen operation

Electric Current: Depending upon region, your EliteProAV™ screen will operate on 100v, 110v, or 220v voltage.

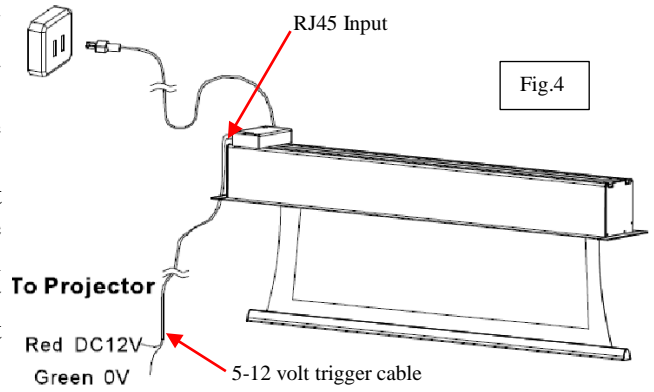
1. After ensuring the power outlet & screen are compatible, plug the power cord into the power outlet.
2. Once the screen has power, you'll be able to control it using any of the 6 methods described below.

6 ways to control your Evanesce Plus

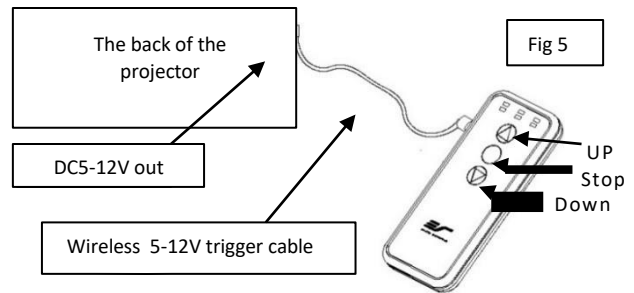
1. **IR remote control** (Item A, Fig 1): The Infrared functions by direct line of sight contact with a beam range of 30 feet. Aim the IR remote at the "eye" receiver once it has been connected to the control box's RJ45 port.
2. **IR "Eye" Receiver** (Item E, Fig 2): The IR "Eye" Receiver plugs directly into the control box's RJ45 port to present a low profile line-of-sight control option for your IR remote control even in a recessed ceiling installation.
3. **RF Remote Control** (Item B): The radio waves eliminate the need for a direct line of sight with a range of 100 feet.
4. **3-Way Wall Switch** (Item C, Fig 3): The 3-way wall switch is a wall mount switch with an up/stop/down button and plugs directly into the control box's RJ45 port.



5. 5-12 volt trigger (Item D, Fig 4): The built-in 5-12V trigger input allows your screen to synchronize its drop & rise with the projector's power cycle. The screen deploys when the projector powers up and will retract when the projector powers down. The 5-12 volt RJ45 cable connects to your projector's trigger output via a separate cable that may or may not be provided by the manufacturer of the projector. The trigger feature will not work without an output cable from the projector, but it can be tested by connecting the Red (+) and Green (-) cable to a 9-volt battery.



6. Wireless 5-12 volt trigger (Item F, Fig 5): The RF remote control serves as a dual purpose, independently as a handheld remote control, or in conjunction with the Wireless 5-12 volt trigger cable. The radio frequency technology can be programmed to send a wireless signal to synchronize its drop/rise with the projector's power cycle.



Here's how to set up your Wireless 5-12 volt trigger | Synchronization Instructions









- Step 1:** Connect one end of the 3.5 mm wireless 5-12 volt trigger cable to the RF remote.
- Step 2:** Connect the other 3.5 mm end of the wireless 5-12 volt trigger cable to your projector
- Step 3:** Make sure to unplug your screen from the power outlet
- Step 4:** Hold the **UP** button on your RF remote
- Step 5:** While holding the **UP** button, plug the screen back to the power outlet
- Step 6:** Wait 5 seconds and then release the **UP** button
- Step 7:** Your 5-12V wireless trigger should now be activated with your screen and ready to be used and able to control your screen with your projector's power cycle

Repeat the steps again if not successful.

(Please be aware, the projector on/off cycle may take longer to fully activate. It usually takes around 20-30seconds for full off and on cycle each time)

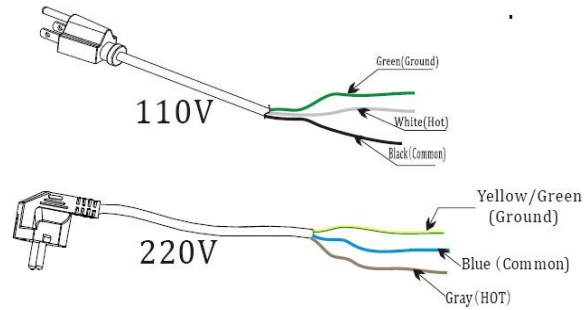
Hardware Parts List for Evanesce Plus Series

Please make sure all parts listed below are included before proceeding with the installation.

<p>A. Hexagonal nut x 4</p> 	<p>B. M6x13 hex screw x 8</p> 	<p>C. Hanging bracket x 2</p> 	<p>D. Washer x 12</p> 
<p>E. Turnbuckle x 4</p> 	<p>F. Suspension Bar x 4</p> 	<p>G. M6 nut x 4</p> 	<p>H. End cover flange panel</p> 

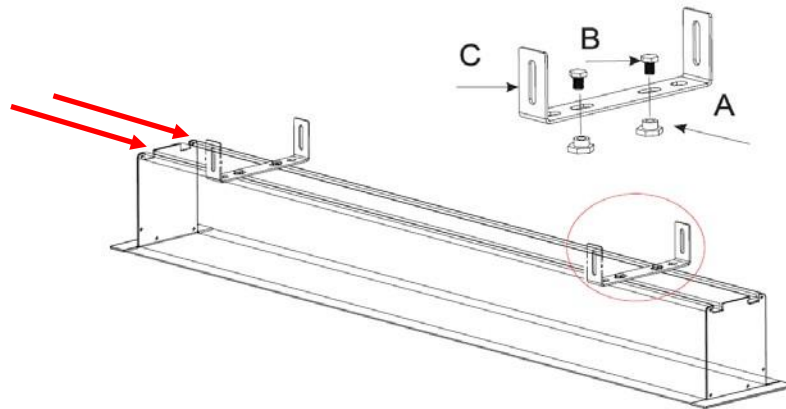
Power

The Evanesce Plus Series includes a 3-Prong Power Cord for use in a non-concealed power outlet. If your installation will be entirely concealed (including the power outlet), EliteProAV strongly recommends a hardwire connection. Please refer to the image below for both 110v & 220v wiring information.

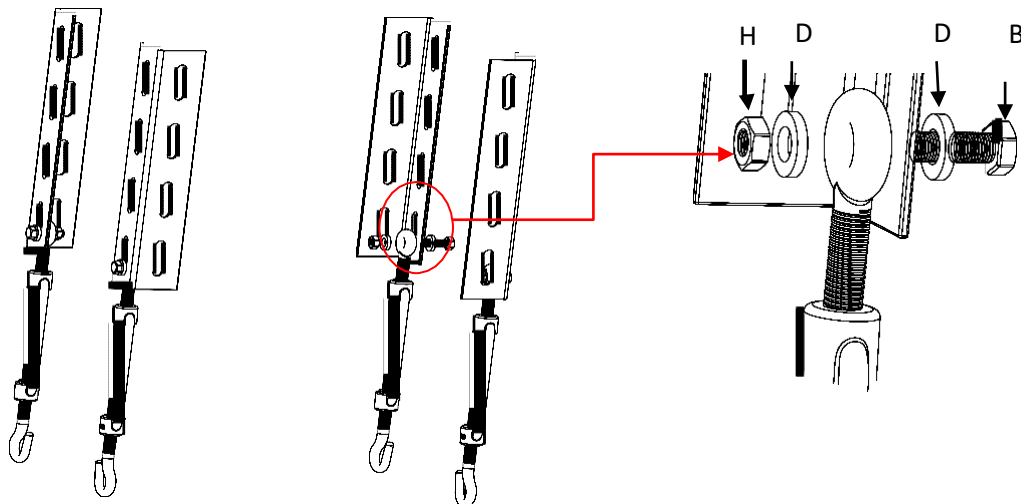


Assembly

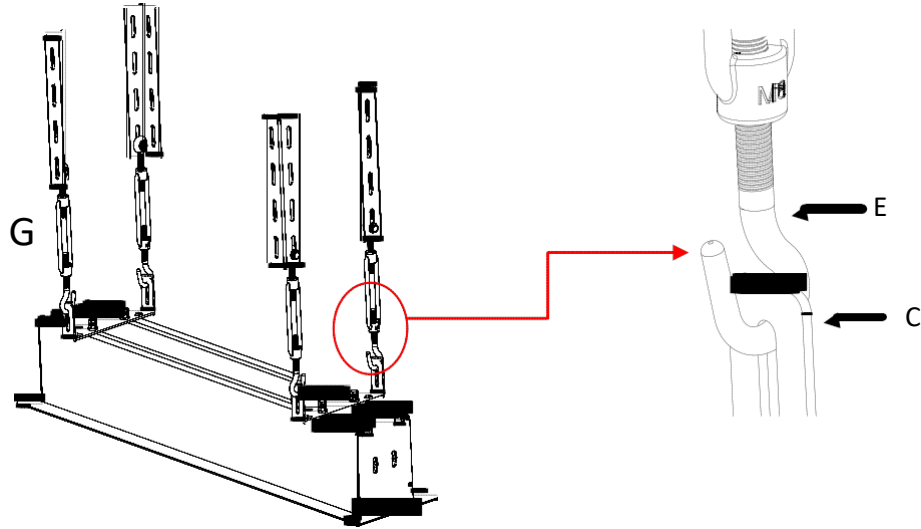
1. Insert the **M6x13 hex screw (B)** through the **Hanging Bracket's (C)** screw hole and secure with the **Hexagonal nut (A)**. Slide the **Hanging Bracket (C)** through the railing on top of the case. Repeat the same for the other side.



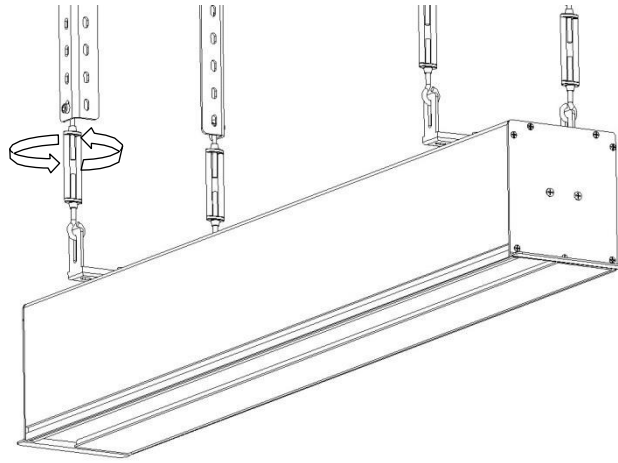
2. Attach the **Turnbuckle (E)** to the bottom of the **Suspension Bar (F)** and secure with the **Hex Screw (B)**, **Washer (D)** and **Hex Nut (H)**.



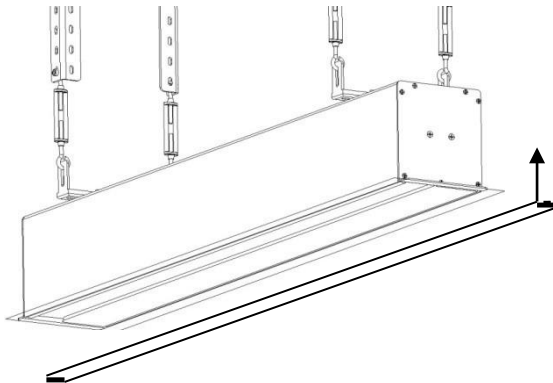
3. Attach the Turn buckle (G) to the **Hanging Bracket (C)** as shown in figure below. Install the Suspension Bars (D) to your ceiling according to their distance.



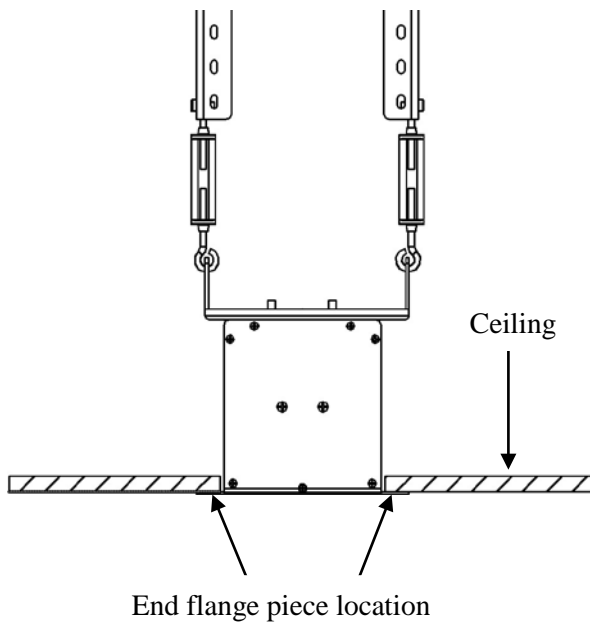
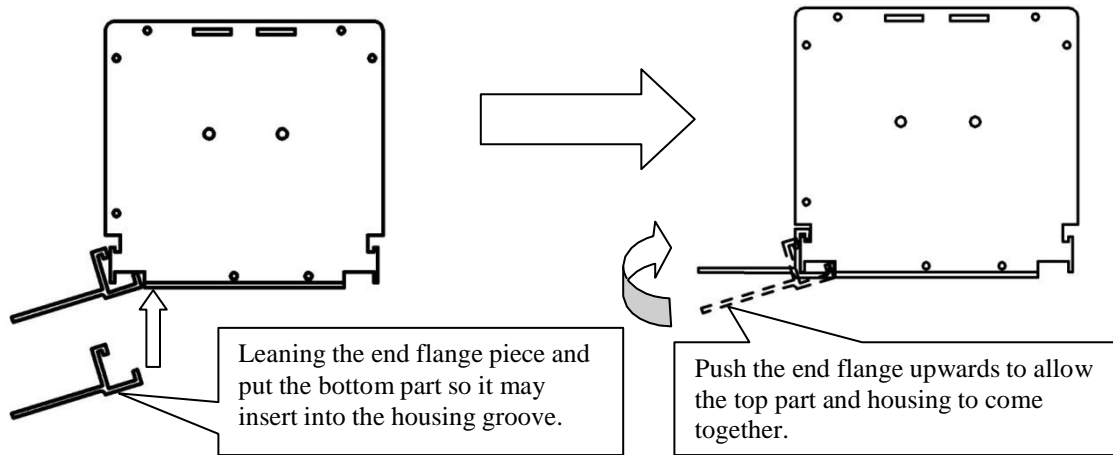
Rotate the turnbuckle as needed to adjust the height level.



4. Attach the **end flange piece (C)** on the long edge of the housing as shown below to complete the assembly. The screen is now ready for installation.



Side schematic diagram:



Attention:

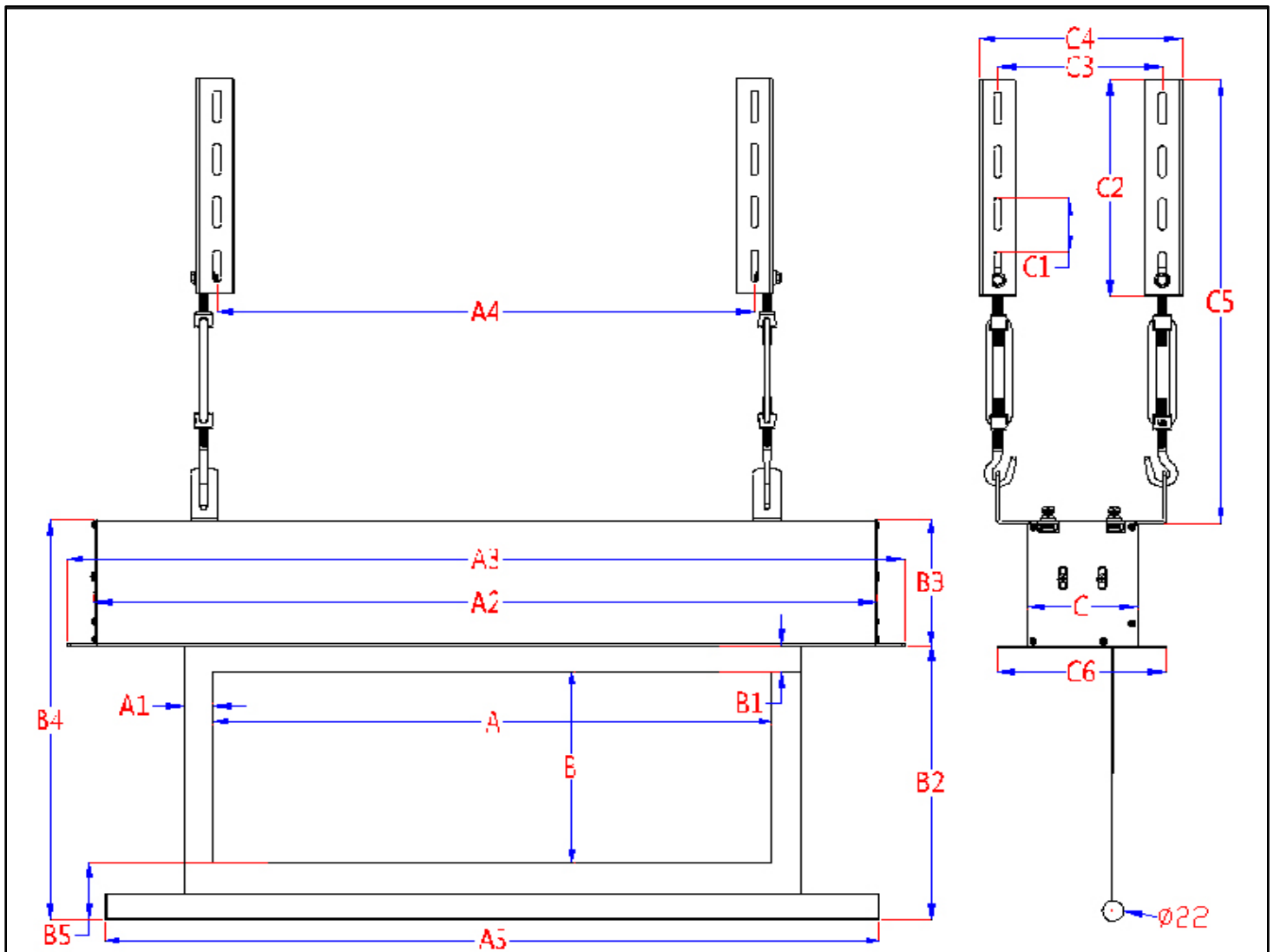
1. The end flange panels can easily warp. Please be careful when handling them and during installation.
2. Make sure the end flanges are properly installed and leveled with the housing.
3. As a safety precaution four people are required for this installation.

Dimensions Table

Model Number	A	A1	A2	A3	A4	A5	B	B1	B2	B3	B4	B5	C	C1	C2	C3	C4	C5	C6
Unit: Inches																			
IHOME150 VW2-E12	120.0	2.0	127.8	129.4	112.1	127.1	90.0	12.0	104.4	5.9	110.3	2.4	5.3	2.0	36.4	6.9	8.3	45.1- 47.4	6.9
IHOME180 VW2-E12	144.0	2.0	151.9	153.4	136.1	151.1	108.0	12.0	122.4	5.9	128.3	2.4	5.3	2.0	36.4	6.9	8.3	45.1- 47.4	6.9
IHOME200 VW2-E8	160.0	2.0	167.8	169.4	152.1	167.1	120.0	8.0	130.4	5.9	136.3	2.4	5.3	2.0	36.4	6.9	8.3	45.1- 47.4	6.9
IHOME150 HW2-E12	130.7	2.0	138.6	140.2	122.8	137.8	73.5	12.0	87.9	5.9	93.8	2.4	5.3	2.0	36.4	6.9	8.3	45.1- 47.4	6.9
IHOME180 HW2-E12	156.9	2.0	164.7	166.3	149.0	164.0	88.2	12.0	102.6	5.9	108.5	2.4	5.3	2.0	36.4	6.9	8.3	45.1- 47.4	6.9
IHOME200 HW2-E6	174.3	2.0	182.2	183.7	166.4	181.4	98.1	6.0	106.4	5.9	112.3	2.4	5.3	2.0	36.4	6.9	8.3	45.1- 47.4	6.9

Model Number	A	A1	A2	A3	A4	A5	B	B1	B2	B3	B4	B5	C	C1	C2	C3	C4	C5	C6
Unit: mm																			
IHOME150 VW2-E12	3048	51	3246	3287	2847	3228	2286	305	2652	150	2802	61	135	51	925	175	211	1146-1204	175
IHOME180 VW2-E12	3658	51	3858	3896	3457	3838	2743	305	3109	150	3259	61	135	51	925	175	211	1146-1204	175
IHOME200 VW2-E8	4064	51	4262	4303	3863	4244	3048	203	3312	150	3462	61	135	51	925	175	211	1146-1204	175
IHOME150 HW2-E12	3320	51	3520	3561	3119	3500	1867	305	2233	150	2383	61	135	51	925	175	211	1146-1204	175
IHOME180 HW2-E12	3985	51	4183	4224	3785	4166	2240	305	2606	150	2756	61	135	51	925	175	211	1146-1204	175
IHOME200 HW2-E6	4427	51	4628	4666	4227	4608	2492	152	2703	150	2852	61	135	51	925	175	211	1146-1204	175

Note: Data Error $\pm 1''$



For local EliteProAV contact or Technical Support, please visit
www.eliteproav.com