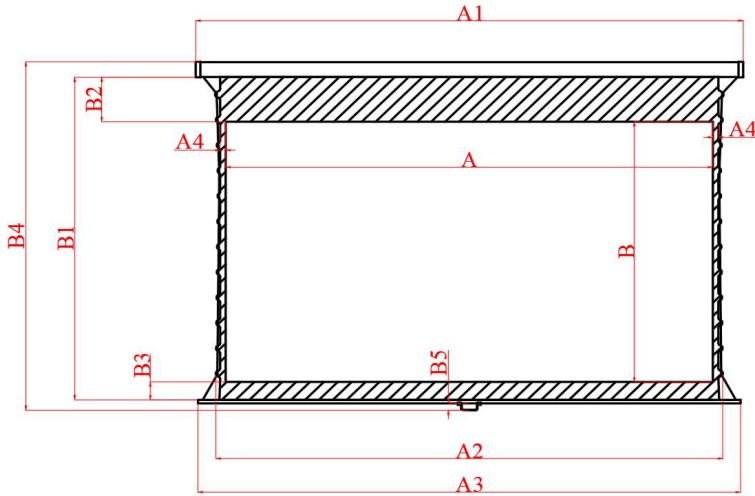


### Manual Tab-Tension Pro CineGrey 5D® Dimensions Table - M Type

Model Number	Nominal Diagonal	Aspect Ratio	Viewable Width (A)	Case Length (A1)	Screen Width (A2)	Weight Bar Length (A3)	Border Width (A4)	Viewable Height (B)	Screen Height (B1)	Top Border (B2)	Bottom Border (B3)	Overall Height (B4)	Handle (B5)	Case Width (C1)	Case Height (C2)	Packing Dimensions (LxWxH)	Net Weight	Gross Weight
<i>Unit: inch</i>																		
MT106UH2-DHD5	106	16:9	92.4	107.6	97.6	106.4	1.4	52.0	66.5	12.0	2.6	73.6	1.8	4.4	4.1	115.4 8.3 7.9	27.5	38.2
MT125UH2-DHD5	125	16:9	108.9	124.7	115.0	123.5	1.4	61.3	75.8	12.0	2.6	82.9	1.8	4.4	4.1	131.9 8.3 7.9	31.2	43.9
MT140UH2-DHD5	140	16:9	122.0	137.2	127.3	136.0	1.4	68.6	83.2	12.0	2.6	90.3	1.8	4.4	4.1	144.5 8.3 7.9	35.4	44.7
<i>Unit: mm</i>																		
MT106UH2-DHD5	2692	16:9	2346	2732	2480	2702	35	1320	1690	305	65	1870	46.2	111	105	45.4 3.3 3.1	12.5	17.4
MT125UH2-DHD5	3175	16:9	2767	3168	2920.5	3138	35	1556	1926	305	65	2106	46.2	111	105	51.9 3.3 3.1	14.2	20.0
MT140UH2-DHD5	3556	16:9	3100	3484	3233.5	3454	35	1743	2113	305	65	2293	46.2	111	105	56.9 3.3 3.1	16.1	20.3

**Note: Data Error ±1"**

The listed measurements are for general reference only. Please contact Elite Screens to verify product design and dimensions before attempting to integrate its products with any structural or furniture modification. Although a manufacturer may offer product advice, it may be taken or disregarded at the integrator's discretion. Elite Screens will not be held responsible or be otherwise liable for faulty installations. Screen materials may expand and contract slightly over time. Elite ProAV allows a 1.5% tolerance within the viewing surface.



#### Wall/Ceiling Installation Bracket Dims

