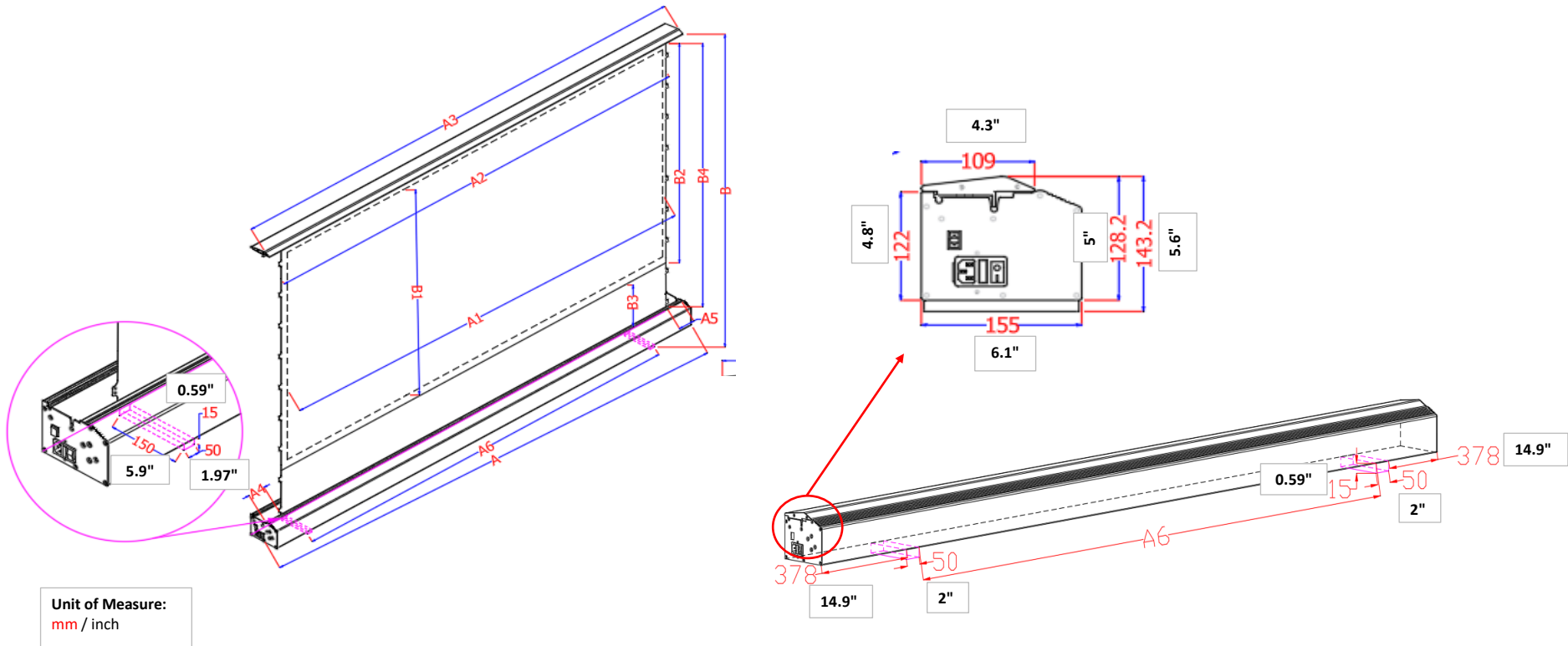


### Presenter Pro Riser DarkUST® 3 Dimensions Table

Model Number	Nominal Diagonal	Aspect Ratio	Screen Material	Gain	Case Length w/ power plug (A)	Case Length w/ out power plug (A)	Viewable Width (A1)	Screen Width (A2)	Top Cover Length (A3)	Left end to screen material distance (A4)	Right end to screen material distance (A5)	Base Foot Inside Spacing (A6)	Overall Screen Height (B)	Viewable Height (B1)	Fabric Height (B2)	Bottom Black Border (B3)	Screen Height (B4)	Base Foot (LxWxH)
<i>Unit: inch</i>																		
PPR126H3-DSUST3	126"	16:9	DarkUST® 3	0.8	121.5	120.8	109.8	112.2	119.8	2.3	1.8	86.2	80.6	61.8	63.0	12.0	75.0	5.91x1.97x0.59
PPR138H3-DSUST3	138"	16:9	DarkUST® 3	0.8	131.3	130.6	120.3	121.7	129.7	2.9	2.2	96.0	86.5	67.7	68.9	12.0	80.9	5.91x1.97x0.59
PPR140H3-DSUST3	140"	16:9	DarkUST® 3	0.8	133.1	132.4	122.0	125.6	129.7	2.4	2.4	96.0	84.1	68.6	69.8	8.0	77.8	5.91x1.97x0.59
<i>Unit: mm</i>																		
PPR126H3-DSUST3	126"	16:9	DarkUST® 3	0.8	3086	3068	2789	2849	3043	58	46	2189	2047	1569	1599	305	1904	150x50x15
PPR138H3-DSUST3	138"	16:9	DarkUST® 3	0.8	3336	3318	3055	3090	3293	73	57	2439	2197	1719	1749	305	2054	150x50x15
PPR140H3-DSUST3	140"	16:9	DarkUST® 3	0.8	3380	3362	3099	3190	3293	62	60	2439	2135	1743	1774	203	1977	150x50x15

**Note: Data Error may be +/- 1"**

The listed measurements are for general reference only. Please contact Elite ProAV to verify product design and dimensions before attempting to integrate its products with any structural or furniture modification. Although a manufacturer may offer product advice, it may be taken or disregarded at the integrator's discretion. Elite ProAV will not be held responsible or be otherwise liable for faulty installations. Screen materials may expand and contract slightly over time. *Elite ProAV allows a 1.5% tolerance within the viewing surface.*



**Unit of Measure:**  
mm / inch